



AREA LIGHTING | BOLLARDS |
WALL MOUNTED
AMON series

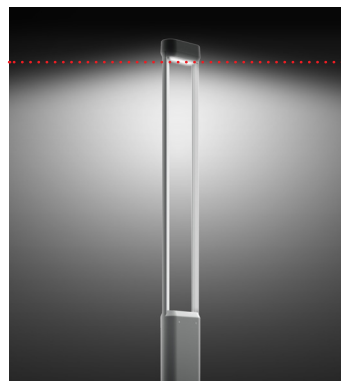
AMON series

AMON MAXI | AMON MAXI SOFT

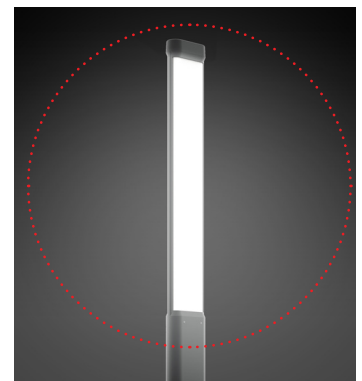
Product Family



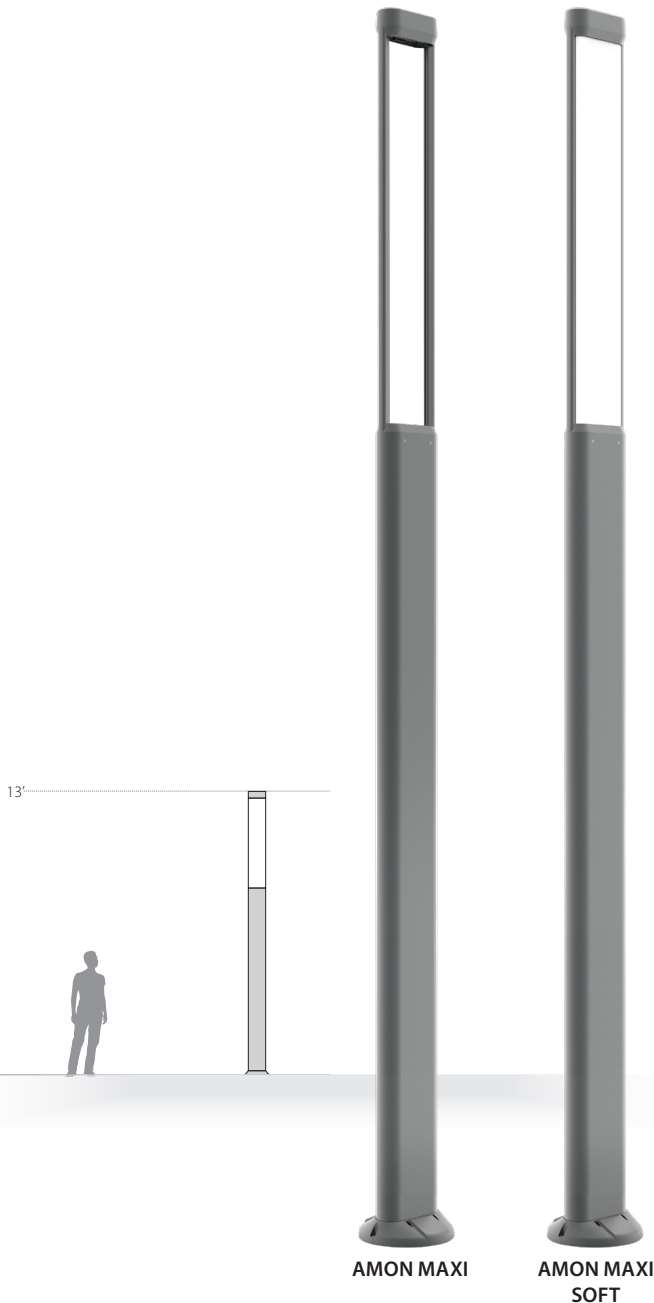
Optics



AMON MAXI
TYPE I
TYPE II
TYPE V



AMON MAXI SOFT
TYPE V

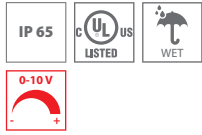


AMON MAXI

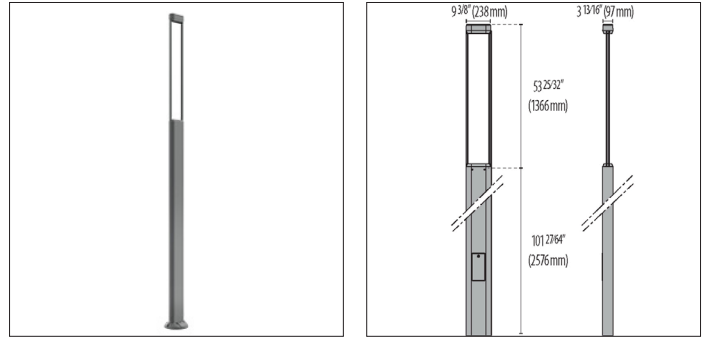
AMON MAXI
SOFT

AMON MAXI

AMON MAXI TYPE I



- Lighting column series. Fixtures consist of:
- Multi-step powder-coat painting process, optimized against UV rays and corrosion.
 - Robust copper-free extruded aluminum column profile and copper-free precision die-cast aluminum housing, trim, top cap, and inspection access door.
 - Custom molded, anti-aging gasket(s).
 - Stainless steel external hardware.
 - Extra-clear, flat, tempered silk screened soda-lime glass diffuser.
 - Custom MCPCB utilized to maximize heat dissipation and promote a long LED life.
 - High-transmittance transparent optics.
 - IESNA Type I light distribution.
 - Input voltage: 120-277 V (50 / 60 Hz), integral 0-10 V dimming driver.
 - Integral surge protector can withstand up to 10 kV transient line surge.
 - Painted aluminum wiring inspection access door (included).
 - Steel ground base plate (included).
 - Base cover, anchor bolts, and direct-burial support available (to be ordered separately).
 - Consult factory for dimming options, custom finishes and non-catalogued CCT (Kelvin) options.
 - Consult factory for custom post height options.
 - 5-year warranty.
 - Product meets Buy American requirements within ARRA.



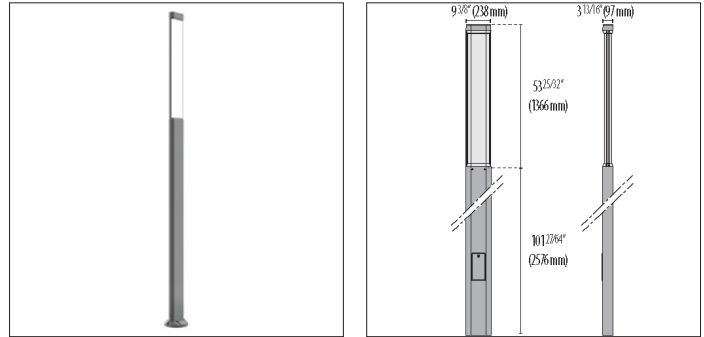
- AN-96 / IRON GRAY / TEXTURED
- Consult Factory:
- RB-10 / IRON RUST (BRONZE) (BRONZE) / TEXTURED
 - WH-87 / WHITE / TEXTURED
 - BK-81 / TEXTURED BLACK / TEXTURED

LAMPHOLDER	POWER	VOLTAGE	CRI	KELVIN	OPTIC TYPE	OPTIC BEAM	LIGHTSOURCE LUMEN OUTPUT	LUMINAIRE LUMEN OUTPUT	L	B	LIFETIME	FINISH	PART NUMBER
HIGH POWER LEDS 120-277 V DIMMABLE 0-10V													
LED	28 W	120-277V	80	3000	Type I	-	2850 lm	1404 lm	70	10	80000 h	●	070263
LED	28 W	120-277V	80	4000	Type I	-	3120 lm	1526 lm	70	10	80000 h	●	070248

AMON MAXI SOFT TYPE V



- Lighting column series. Fixtures consist of:
- Multi-step powder-coat painting process, optimized against UV rays and corrosion.
 - Robust copper-free extruded aluminum column profile and copper-free precision die-cast aluminum housing, trim, top cap, and inspection access door.
 - Satin UV-stabilised, high-impact resistant diffuser (SOFT).
 - Custom molded, anti-aging gasket(s).
 - Stainless steel external hardware.
 - Custom MCPCB utilized to maximize heat dissipation and promote a long LED life.
 - IESNA Type V light distribution.
 - Diffuse light emission (SOFT).
 - Input voltage: 120-277 V (50 / 60 Hz), integral 0-10 V dimming driver.
 - Integral surge protector can withstand up to 10 kV transient line surge.
 - Painted aluminum wiring inspection access door (included).
 - Steel ground base plate (included).
 - Base cover, anchor bolts, and direct-burial support available (to be ordered separately).
 - Consult factory for dimming options, custom finishes and non-catalogued CCT (Kelvin) options.
 - Consult factory for custom post height options.
 - 5-year warranty.
 - Product meets Buy American requirements within ARRA.



- AN-96 / IRON GRAY / TEXTURED
- Consult Factory:
- RB-10 / IRON RUST (BRONZE) (BRONZE) / TEXTURED
 - WH-87 / WHITE / TEXTURED
 - BK-81 / TEXTURED BLACK / TEXTURED

LAMPHOLDER	POWER	VOLTAGE	CRI	KELVIN	OPTIC TYPE	OPTIC BEAM	LIGHTSOURCE LUMEN OUTPUT	LUMINAIRE LUMEN OUTPUT	L	B	LIFETIME	FINISH	PART NUMBER
HIGH POWER LEDS 120-277 V DIMMABLE 0-10V													
LED	80 W	120-277V	80	3000	Type V	-	5885 lm	3937 lm	70	10	50000 h	●	070266
LED	80 W	120-277V	80	4000	Type V	-	7046 lm	4144 lm	70	10	50000 h	●	070251

AMON MAXI

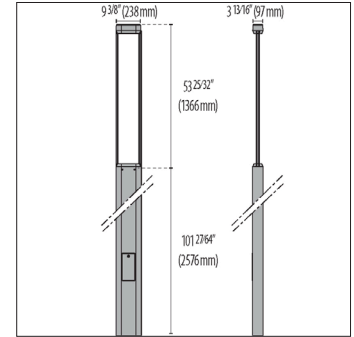


AMON MAXI TYPE II



Lighting column series. Fixtures consist of:

- Multi-step powder-coat painting process, optimized against UV rays and corrosion.
- Robust copper-free extruded aluminum column profile and copper-free precision die-cast aluminum housing, trim, top cap, and inspection access door.
- Custom molded, anti-aging gasket(s).
- Stainless steel external hardware.
- Extra-clear, flat, tempered silk screened soda-lime glass diffuser.
- Custom MCPCB utilized to maximize heat dissipation and promote a long LED life.
- High-transmittance transparent optics.
- IESNA Type II light distribution.
- Input voltage: 120-277 V (50 / 60 Hz), integral 0-10 V dimming driver.
- Integral surge protector can withstand up to 10 kV transient line surge.
- Painted aluminum wiring inspection access door (included).
- Steel ground base plate (included).
- Base cover, anchor bolts, and direct-burial support available (to be ordered separately).
- Consult factory for dimming options, custom finishes and non-catalogued CCT (Kelvin) options.
- Consult factory for custom post height options.
- 5-year warranty.
- Product meets Buy American requirements within ARRA.



● AN-96 / IRON GRAY / TEXTURED

Consult Factory:

● RB-10 / IRON RUST (BRONZE) (BRONZE) / TEXTURED

○ WH-87 / WHITE / TEXTURED

● BK-81 / TEXTURED BLACK / TEXTURED

LAMPHOLDER	POWER	VOLTAGE	CRI	KELVIN	OPTIC TYPE	OPTIC BEAM	LIGHTSOURCE LUMEN OUTPUT	LUMINAIRE LUMEN OUTPUT	L	B	LIFETIME	FINISH	PART NUMBER
HIGH POWER LEDS 120-277 V DIMMABLE 0-10V													
LED	28 W	120-277V	80	3000	Type II	-	2850 lm	1393 lm	70	10	80000 h	●	070264
LED	28 W	120-277V	80	4000	Type II	-	3120 lm	1514 lm	70	10	80000 h	●	070249

AMON MAXI

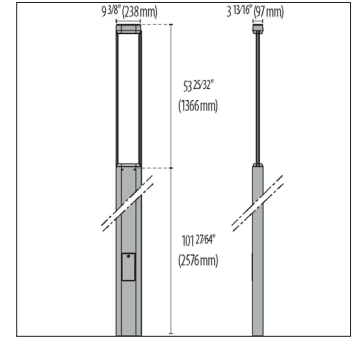


AMON MAXI TYPE V



Lighting column series. Fixtures consist of:

- Multi-step powder-coat painting process, optimized against UV rays and corrosion.
- Robust copper-free extruded aluminum column profile and copper-free precision die-cast aluminum housing, trim, top cap, and inspection access door.
- Custom molded, anti-aging gasket(s).
- Stainless steel external hardware.
- Extra-clear, flat, tempered silk screened soda-lime glass diffuser.
- High-efficiency COB combined with an optimized passive cooling system provides a long LED life.
- Internal reflector coated with 5-layers of PVD 99.98% pure aluminum providing >95% reflection.
- IESNA Type V light distribution.
- Input voltage: 120-277 V (50 / 60 Hz), integral 0-10 V dimming driver.
- Integral surge protector can withstand up to 10 kV transient line surge.
- Painted aluminum wiring inspection access door (included).
- Steel ground base plate (included).
- Base cover, anchor bolts, and direct-burial support available (to be ordered separately).
- Consult factory for dimming options, custom finishes and non-catalogued CCT (Kelvin) options.
- Consult factory for custom post height options.
- 5-year warranty.
- Product meets Buy American requirements within ARRA.



● AN-96 / IRON GRAY / TEXTURED

Consult Factory:

● RB-10 / IRON RUST (BRONZE) (BRONZE) / TEXTURED

○ WH-87 / WHITE / TEXTURED

● BK-81 / TEXTURED BLACK / TEXTURED

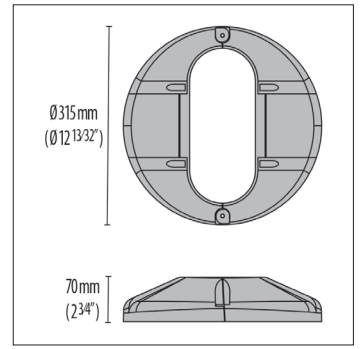
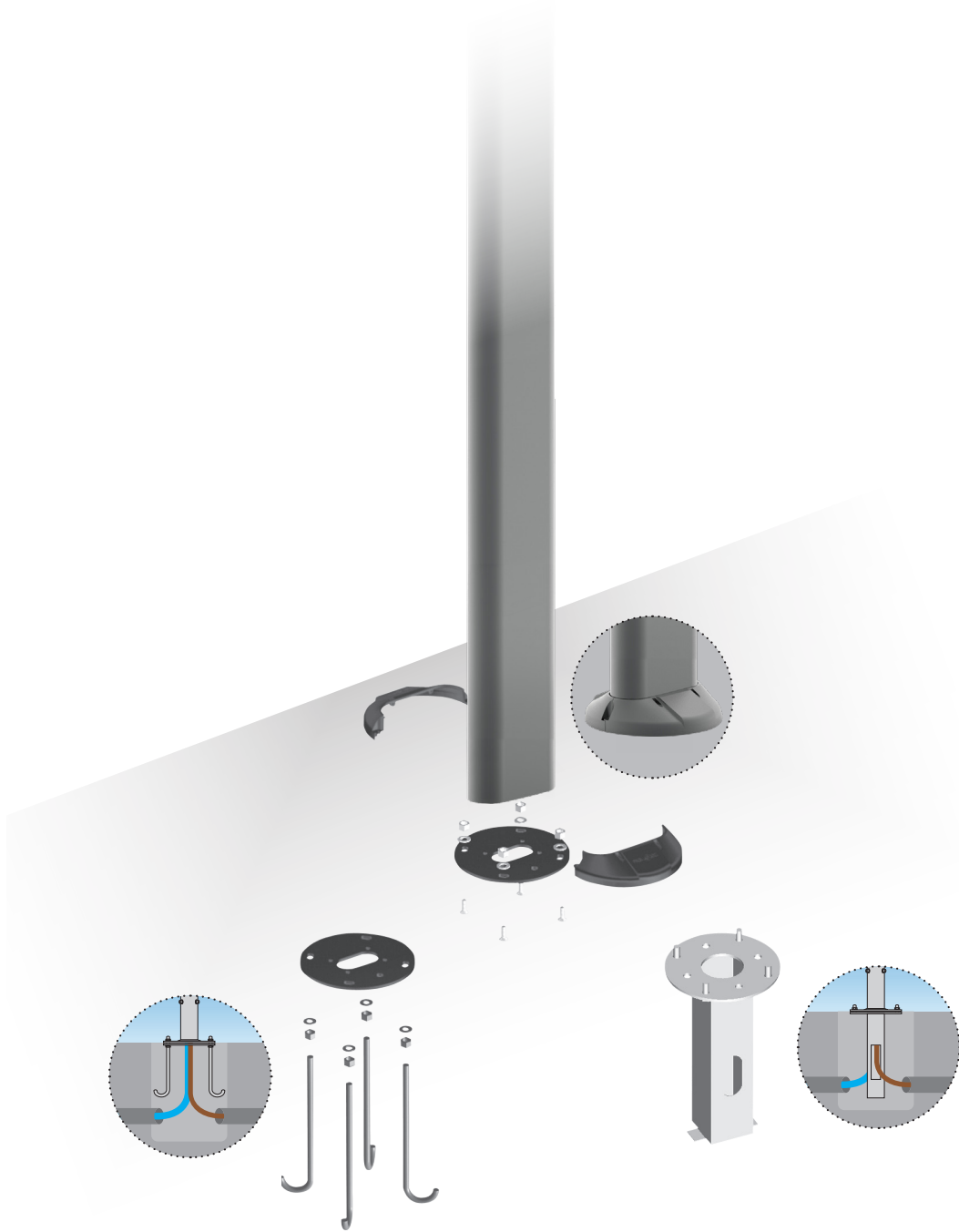
LAMPHOLDER	POWER	VOLTAGE	CRI	KELVIN	OPTIC TYPE	OPTIC BEAM	LIGHTSOURCE LUMEN OUTPUT	LUMINAIRE LUMEN OUTPUT	L	B	LIFETIME	FINISH	PART NUMBER
HIGH POWER LEDS 120-277 V DIMMABLE 0-10V													
LED	43 W	120-277V	80	3000	Type V	-	4512 lm	1881 lm	70	10	80000 h	●	070265
LED	43 W	120-277V	80	4000	Type V	-	4992 lm	2081 lm	70	10	80000 h	●	070250
LED	90 W	120-277V	80	3000	Type V	-	9770 lm	3574 lm	70	10	80000 h	●	070262
LED	90 W	120-277V	80	4000	Type V	-	10092 lm	3684 lm	70	10	80000 h	●	070247

AMON MAXI

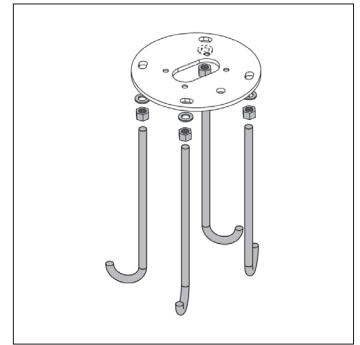


OPTIONAL ACCESSORIES

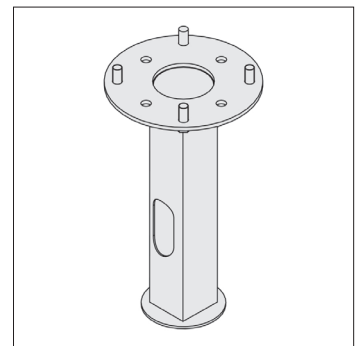
DESCRIPTION	FINISH	CODE
AMON MAXI		
AMON AN-96 groundplate cover	●	310921
Flange plate with fixing rod		310922
Flange plate fixing root		310923



310921



310922

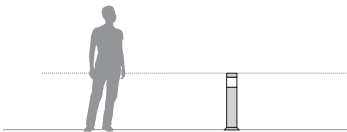


310923

AMON series

AMON MINI | AMON MINI SOFT

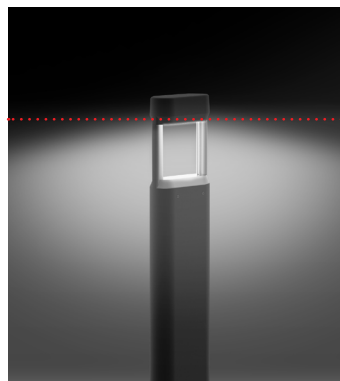
Product Family



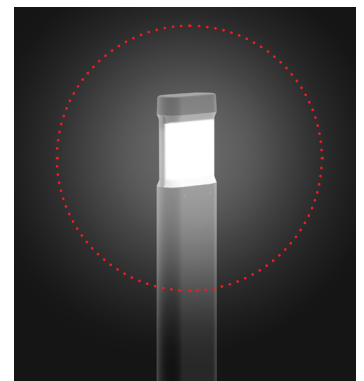
AMON MINI

AMON MINI
SOFT

Optics



AMON MINI
TYPE V

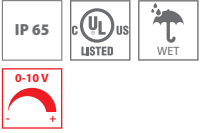


AMON MINI SOFT
TYPE V

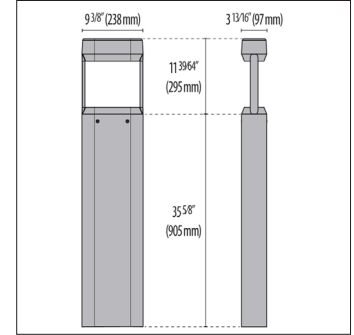
AMON MINI



AMON MINI TYPE V



- Lighting column series. Fixtures consist of:
- Multi-step powder-coat painting process, optimized against UV rays and corrosion.
 - Robust copper-free extruded aluminum column profile and copper-free precision die-cast aluminum housing, trim, top cap, and inspection access door.
 - Custom molded, anti-aging gasket(s).
 - Stainless steel external hardware.
 - Extra-clear, flat, tempered silk screened soda-lime glass diffuser.
 - High-efficiency COB combined with an optimized passive cooling system provides a long LED life.
 - Internal reflector coated with 5-layers of PVD 99.98% pure aluminum providing >95% reflection.
 - IESNA Type V light distribution.
 - Input voltage: 120-277 V (50 / 60 Hz), integral 0-10 V dimming driver.
 - Integral surge protector can withstand up to 10 kV transient line surge.
 - Painted aluminum wiring inspection access door (included).
 - Steel ground base plate (included).
 - Base cover, anchor bolts, and direct-burial support available (to be ordered separately).
 - Consult factory for dimming options, custom finishes and non-catalogued CCT (Kelvin) options.
 - Consult factory for custom post height options.
 - 5-year warranty.
 - Product meets Buy American requirements within ARRA.



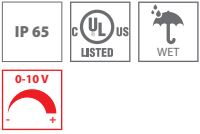
- AN-96 / IRON GRAY / TEXTURED
 - RB-10 / IRON RUST (BRONZE) / TEXTURED
 - WH-87 / WHITE / TEXTURED
 - BK-81 / TEXTURED BLACK / TEXTURED
- Consult Factory:

LAMPHOLDER	POWER	VOLTAGE	CRI	KELVIN	OPTIC TYPE	OPTIC BEAM	LIGHTSOURCE LUMEN OUTPUT	LUMINAIRE LUMEN OUTPUT	L	B	LIFETIME	FINISH	PART NUMBER
HIGH POWER LEDS 120-277 V DIMMABLE 0-10V													
LED	45 W	120-277V	80	3000	Type V	-	4885 lm	1963 lm	70	10	150000 h	●	070260
LED	45 W	120-277V	80	4000	Type V	-	5046 lm	2025 lm	70	10	150000 h	●	070275

AMON MINI

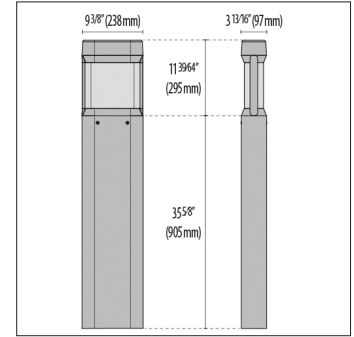


AMON MINI SOFT TYPE V



Lighting column series. Fixtures consist of:

- Multi-step powder-coat painting process, optimized against UV rays and corrosion.
- Robust copper-free extruded aluminum column profile and copper-free precision die-cast aluminum housing, trim, top cap, and inspection access door.
- Satin UV-stabilised, high-impact resistant diffuser (SOFT).
- Custom molded, anti-aging gasket(s).
- Stainless steel external hardware.
- High-efficiency COB combined with an optimized passive cooling system provides a long LED life.
- Internal reflector coated with 5-layers of PVD 99.98% pure aluminum providing >95% reflection.
- IESNA Type V light distribution.
- Diffuse light emission (SOFT).
- Input voltage: 120-277 V (50 / 60 Hz), integral 0-10 V dimming driver.
- Integral surge protector can withstand up to 10 kV transient line surge.
- Painted aluminum wiring inspection access door (included).
- Steel ground base plate (included).
- Base cover, anchor bolts, and direct-burial support available (to be ordered separately).
- Consult factory for dimming options, custom finishes and non-catalogued CCT (Kelvin) options.
- Consult factory for custom post height options.
- 5-year warranty.
- Product meets Buy American requirements within ARRA.



- AN-96 / IRON GRAY / TEXTURED
 - RB-10 / IRON RUST (BRONZE) / TEXTURED
 - WH-87 / WHITE / TEXTURED
 - BK-81 / TEXTURED BLACK / TEXTURED
- Consult Factory:

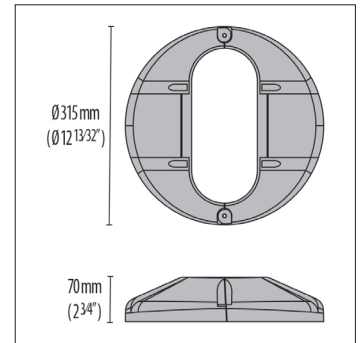
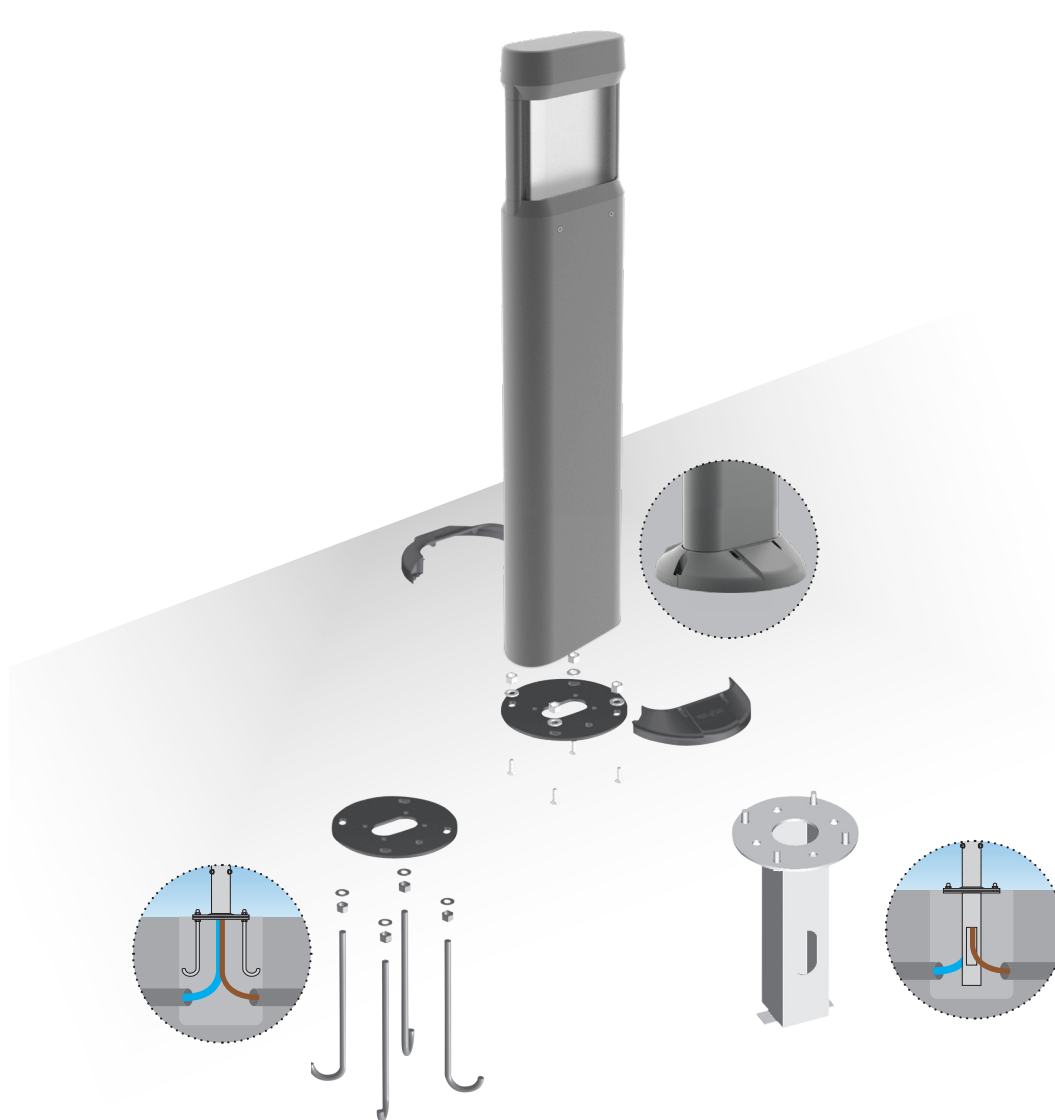
LAMPHOLDER	POWER	VOLTAGE	CRI	KELVIN	OPTIC TYPE	OPTIC BEAM	LIGHTSOURCE LUMEN OUTPUT	LUMINAIRE LUMEN OUTPUT	L	B	LIFETIME	FINISH	PART NUMBER
HIGH POWER LEDS 120-277 V DIMMABLE 0-10V													
LED	45 W	120-277V	80	3000	Type V	-	4885 lm	1314 lm	70	10	150000 h	●	070269
LED	45 W	120-277V	80	4000	Type V	-	5046 lm	1357 lm	70	10	150000 h	●	070254

AMON MINI

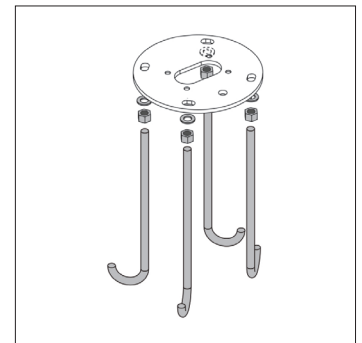


OPTIONAL ACCESSORIES

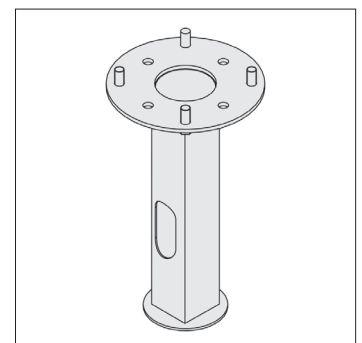
DESCRIPTION	FINISH	CODE
AMON MINI		
AMON AN-96 groundplate cover	●	310921
Flange plate with fixing rod		310922
Flange plate fixing root		310923



310921



310922



310923

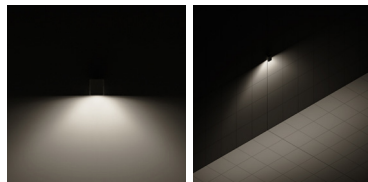
AMON series

AMON WALL

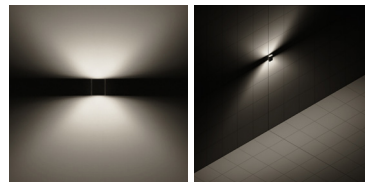


Product Family

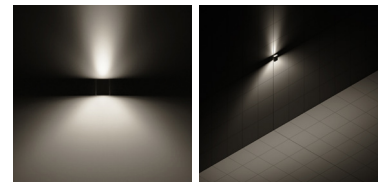
Optics



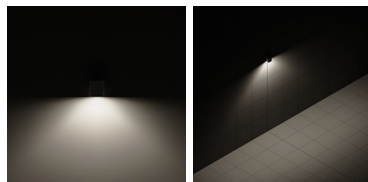
AMON WALL
TYPE I



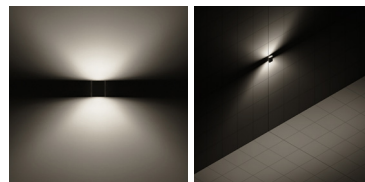
AMON WALL B
TYPE I



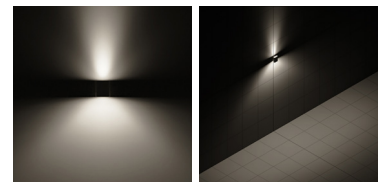
AMON WALL B
TYPE I + NB



AMON WALL
TYPE II



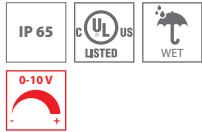
AMON WALL B
TYPE II



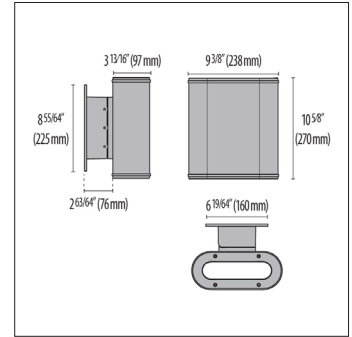
AMON WALL B
TYPE II + NB

AMON WALL

AMON WALL TYPE I



- Long-lasting energy-efficient wall pack series. Fixtures consists of:
- Multi-step powder-coat painting process, optimized against UV rays and corrosion.
 - Copper-free extruded aluminum housing and copper-free precision die-cast aluminum trim, bracket and mounting plate.
 - Extra-clear, flat, tempered silk screened soda-lime glass diffuser.
 - Custom molded, anti-aging gasket(s).
 - Stainless steel external hardware.
 - Custom MCPCB utilized to maximize heat dissipation and promote a long LED life.
 - High-transmittance transparent optics.
 - Single (M) or dual (B) light emission.
 - IESNA Type I light distribution.
 - Input voltage: 120-277 V (50 / 60 Hz), integral 0-10 V dimming driver.
 - Standard hinged bracket for ease of installation; wiring can be completed by mounting the bracket ahead of the luminaire, then sliding luminaire onto the bracket using quick connectors system, then securing the luminaire by tightening the stainless steel set screws.
 - Consult factory for dimming options, custom finishes and non-catalogued CCT (Kelvin) options.
 - Consult factory for emergency battery pack options (EMPK).
 - Product meets Buy American requirements within ARRA.
 - 5-year warranty.



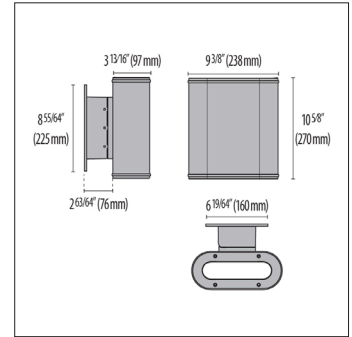
- AN-96 / IRON GRAY / TEXTURED
- Consult Factory:
- RB-10 / IRON RUST (BRONZE) / TEXTURED
 - WH-87 / WHITE / TEXTURED
 - BK-81 / TEXTURED BLACK / TEXTURED

LAMPHOLDER	POWER	VOLTAGE	CRI	KELVIN	OPTIC TYPE	OPTIC BEAM	LIGHTSOURCE LUMEN OUTPUT	LUMINAIRE LUMEN OUTPUT	L	B	LIFETIME	FINISH	PART NUMBER
HIGH POWER LEDS 120-277 V DIMMABLE 0-10V													
LED	28 W	120-277V	80	3000	Type I	-	2850 lm	1667 lm	70	10	80000 h	●	070267
LED	28 W	120-277V	80	4000	Type I	-	3120 lm	1811 lm	70	10	80000 h	●	070252

AMON WALL TYPE I EMPK



- Long-lasting energy-efficient wall pack series. Fixtures consists of:
- Multi-step powder-coat painting process, optimized against UV rays and corrosion.
 - Copper-free extruded aluminum housing and copper-free precision die-cast aluminum trim, bracket and mounting plate.
 - Extra-clear, flat, tempered silk screened soda-lime glass diffuser.
 - Custom molded, anti-aging gasket(s).
 - Stainless steel external hardware.
 - Custom MCPCB utilized to maximize heat dissipation and promote a long LED life.
 - High-transmittance transparent optics.
 - IESNA Type I light distribution.
 - Input voltage: 120-277 V (50/60 Hz), integral driver.
 - Integral, emergency battery-pack designed for a minimum operation of 90 minutes (EMPK).
 - Standard hinged bracket for ease of installation; wiring can be completed by mounting the bracket ahead of the luminaire, then sliding luminaire onto the bracket using quick connectors system, then securing the luminaire by tightening the stainless steel set screws.
 - Consult factory for dimming options, custom finishes and non-catalogued CCT (Kelvin) options.
 - Product meets Buy American requirements within ARRA.
 - 5-year warranty.

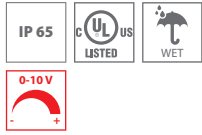


- AN-96 / IRON GRAY / TEXTURED
- Consult Factory:
- RB-10 / IRON RUST (BRONZE) / TEXTURED
 - WH-87 / WHITE / TEXTURED
 - BK-81 / TEXTURED BLACK / TEXTURED

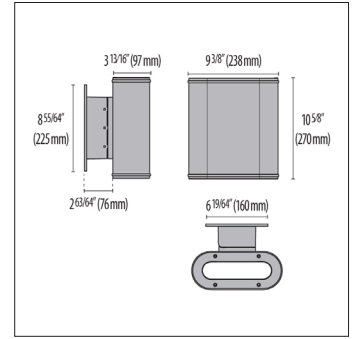
LAMPHOLDER	POWER	VOLTAGE	CRI	KELVIN	OPTIC TYPE	OPTIC BEAM	LIGHTSOURCE LUMEN OUTPUT	LUMINAIRE LUMEN OUTPUT	L	B	LIFETIME	FINISH	PART NUMBER
HIGH POWER LEDS 120-277 V - EMPK													
LED	28 W	120-277V	80	3000	Type I	-	2850 lm	1667 lm	70	10	80000 h	●	070430
LED	28 W	120-277V	80	4000	Type I	-	3120 lm	1811 lm	70	10	80000 h	●	070431

AMON WALL

AMON WALL TYPE II



- Long-lasting energy-efficient wall pack series. Fixtures consists of:
- Multi-step powder-coat painting process, optimized against UV rays and corrosion.
 - Copper-free extruded aluminum housing and copper-free precision die-cast aluminum trim, bracket and mounting plate.
 - Extra-clear, flat, tempered silk screened soda-lime glass diffuser.
 - Custom molded, anti-aging gasket(s).
 - Stainless steel external hardware.
 - Custom MCPCB utilized to maximize heat dissipation and promote a long LED life.
 - High-transmittance transparent optics.
 - Single (M) or dual (B) light emission.
 - IESNA Type II light distribution.
 - Input voltage: 120-277 V (50 / 60 Hz), integral 0-10 V dimming driver.
 - Standard hinged bracket for ease of installation; wiring can be completed by mounting the bracket ahead of the luminaire, then sliding luminaire onto the bracket using quick connectors system, then securing the luminaire by tightening the stainless steel set screws.
 - Consult factory for dimming options, custom finishes and non-catalogued CCT (Kelvin) options.
 - Consult factory for emergency battery pack options (EMPK).
 - Product meets Buy American requirements within ARRA.
 - 5-year warranty.



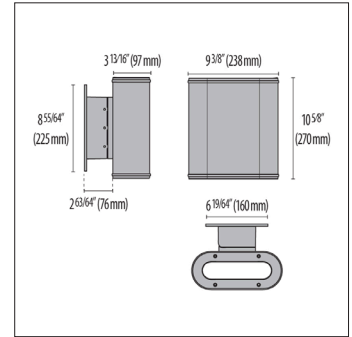
- AN-96 / IRON GRAY / TEXTURED
- Consult Factory:
- RB-10 / IRON RUST (BRONZE) / TEXTURED
 - WH-87 / WHITE / TEXTURED
 - BK-81 / TEXTURED BLACK / TEXTURED

LAMPHOLDER	POWER	VOLTAGE	CRI	KELVIN	OPTIC TYPE	OPTIC BEAM	LIGHTSOURCE LUMEN OUTPUT	LUMINAIRE LUMEN OUTPUT	L	B	LIFETIME	FINISH	PART NUMBER
HIGH POWER LEDS 120-277 V DIMMABLE 0-10V													
LED	28 W	120-277V	80	3000	Type II	-	2850 lm	1644 lm	70	10	80000 h	●	070268
LED	28 W	120-277V	80	4000	Type II	-	3120 lm	1786 lm	70	10	80000 h	●	070253

AMON WALL TYPE II EMPK



- Long-lasting energy-efficient wall pack series. Fixtures consists of:
- Multi-step powder-coat painting process, optimized against UV rays and corrosion.
 - Copper-free extruded aluminum housing and copper-free precision die-cast aluminum trim, bracket and mounting plate.
 - Extra-clear, flat, tempered silk screened soda-lime glass diffuser.
 - Custom molded, anti-aging gasket(s).
 - Stainless steel external hardware.
 - Custom MCPCB utilized to maximize heat dissipation and promote a long LED life.
 - High-transmittance transparent optics.
 - IESNA Type II light distribution.
 - Input voltage: 120-277 V (50/60 Hz), integral driver.
 - Integral, emergency battery-pack designed for a minimum operation of 90 minutes (EMPK).
 - Standard hinged bracket for ease of installation; wiring can be completed by mounting the bracket ahead of the luminaire, then sliding luminaire onto the bracket using quick connectors system, then securing the luminaire by tightening the stainless steel set screws.
 - Consult factory for dimming options, custom finishes and non-catalogued CCT (Kelvin) options.
 - Product meets Buy American requirements within ARRA.
 - 5-year warranty



- AN-96 / IRON GRAY / TEXTURED
- Consult Factory:
- RB-10 / IRON RUST (BRONZE) / TEXTURED
 - WH-87 / WHITE / TEXTURED
 - BK-81 / TEXTURED BLACK / TEXTURED

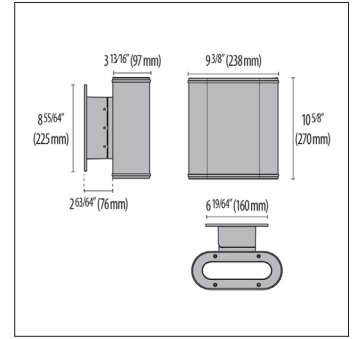
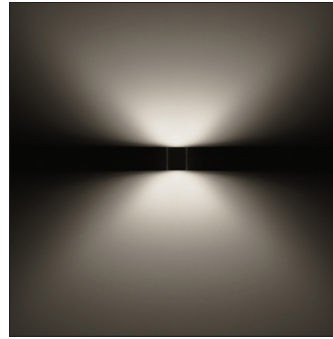
LAMPHOLDER	POWER	VOLTAGE	CRI	KELVIN	OPTIC TYPE	OPTIC BEAM	LIGHTSOURCE LUMEN OUTPUT	LUMINAIRE LUMEN OUTPUT	L	B	LIFETIME	FINISH	PART NUMBER
HIGH POWER LEDS 120-277 V - EMPK													
LED	28 W	120-277V	80	3000	Type II	-	3120 lm	1644 lm	70	10	80000 h	●	070432
LED	28 W	120-277V	80	4000	Type II	-	3120 lm	1786 lm	70	10	80000 h	●	070433

AMON WALL

AMON WALL B TYPE I



- Long-lasting energy-efficient wall pack series. Fixtures consists of:
- Multi-step powder-coat painting process, optimized against UV rays and corrosion.
 - Copper-free extruded aluminum housing and copper-free precision die-cast aluminum trim, bracket and mounting plate.
 - Extra-clear, flat, tempered silk screened soda-lime glass diffuser.
 - Custom molded, anti-aging gasket(s).
 - Stainless steel external hardware.
 - Custom MCPCB utilized to maximize heat dissipation and promote a long LED life.
 - High-transmittance transparent optics.
 - Single (M) or dual (B) light emission.
 - IESNA Type I light distribution.
 - Input voltage: 120-277 V (50 / 60 Hz), integral 0-10 V dimming driver.
 - Standard hinged bracket for ease of installation; wiring can be completed by mounting the bracket ahead of the luminaire, then sliding luminaire onto the bracket using quick connectors system, then securing the luminaire by tightening the stainless steel set screws.
 - Consult factory for dimming options, custom finishes and non-catalogued CCT (Kelvin) options.
 - Consult factory for emergency battery pack options (EMPK).
 - Product meets Buy American requirements within ARRA.
 - 5-year warranty.



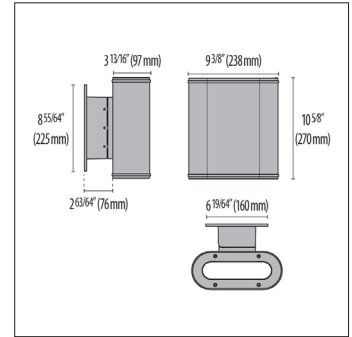
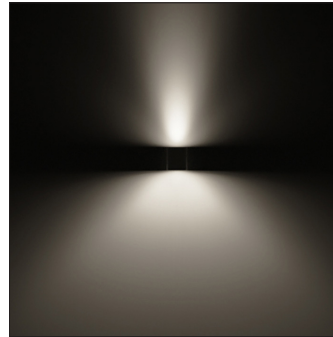
- AN-96 / IRON GRAY / TEXTURED
 - RB-10 / IRON RUST (BRONZE) / TEXTURED
 - WH-87 / WHITE / TEXTURED
 - BK-81 / TEXTURED BLACK / TEXTURED
- Consult Factory:

LAMPHOLDER	POWER	VOLTAGE	CRI	KELVIN	OPTIC TYPE	OPTIC BEAM	LIGHTSOURCE LUMEN OUTPUT	LUMINAIRE LUMEN OUTPUT	L	B	LIFETIME	FINISH	PART NUMBER
HIGH POWER LEDS 120-277 V DIMMABLE 0-10V													
LED	56 W	120-277V	80	3000	Type I	-	5700 lm	3334 lm	70	10	80000 h	●	070271
LED	56 W	120-277V	80	4000	Type I	-	6240 lm	3622 lm	70	10	80000 h	●	070256

AMON WALL B TYPE I + NB



- Long-lasting energy-efficient wall pack series. Fixtures consists of:
- Multi-step powder-coat painting process, optimized against UV rays and corrosion.
 - Copper-free extruded aluminum housing and copper-free precision die-cast aluminum trim, bracket and mounting plate.
 - Extra-clear, flat, tempered silk screened soda-lime glass diffuser.
 - Custom molded, anti-aging gasket(s).
 - Stainless steel external hardware.
 - Custom MCPCB utilized to maximize heat dissipation and promote a long LED life.
 - High-transmittance transparent optics.
 - Single (M) or dual (B) light emission.
 - IESNA Type I light distribution.
 - 26° x 70° beam angle (NB).
 - Input voltage: 120-277 V (50 / 60 Hz), integral 0-10 V dimming driver.
 - Standard hinged bracket for ease of installation; wiring can be completed by mounting the bracket ahead of the luminaire, then sliding luminaire onto the bracket using quick connectors system, then securing the luminaire by tightening the stainless steel set screws.
 - Consult factory for dimming options, custom finishes and non-catalogued CCT (Kelvin) options.
 - Consult factory for emergency battery pack options (EMPK).
 - Product meets Buy American requirements within ARRA.
 - 5-year warranty.



- AN-96 / IRON GRAY / TEXTURED
 - RB-10 / IRON RUST (BRONZE) / TEXTURED
 - WH-87 / WHITE / TEXTURED
 - BK-81 / TEXTURED BLACK / TEXTURED
- Consult Factory:

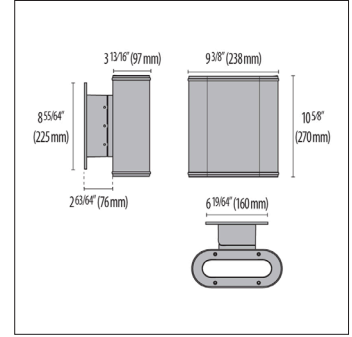
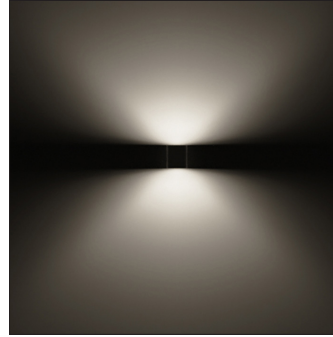
LAMPHOLDER	POWER	VOLTAGE	CRI	KELVIN	OPTIC TYPE	OPTIC BEAM	LIGHTSOURCE LUMEN OUTPUT	LUMINAIRE LUMEN OUTPUT	L	B	LIFETIME	FINISH	PART NUMBER
HIGH POWER LEDS 120-277 V DIMMABLE 0-10V													
LED	37 W	120-277V	80	3000	Type I	-	3800 lm	2170 lm	70	10	80000 h	●	070273
LED	37 W	120-277V	80	4000	Type I	-	4160 lm	2358 lm	70	10	80000 h	●	070258

AMON WALL

AMON WALL B TYPE II



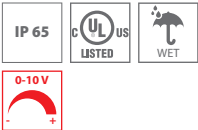
- Long-lasting energy-efficient wall pack series. Fixtures consists of:
- Multi-step powder-coat painting process, optimized against UV rays and corrosion.
 - Copper-free extruded aluminum housing and copper-free precision die-cast aluminum trim, bracket and mounting plate.
 - Extra-clear, flat, tempered silk screened soda-lime glass diffuser.
 - Custom molded, anti-aging gasket(s).
 - Stainless steel external hardware.
 - Custom MCPCB utilized to maximize heat dissipation and promote a long LED life.
 - High-transmittance transparent optics.
 - Single (M) or dual (B) light emission.
 - IESNA Type II light distribution.
 - Input voltage: 120-277 V (50 / 60 Hz), integral 0-10 V dimming driver.
 - Standard hinged bracket for ease of installation; wiring can be completed by mounting the bracket ahead of the luminaire, then sliding luminaire onto the bracket using quick connectors system, then securing the luminaire by tightening the stainless steel set screws.
 - Consult factory for dimming options, custom finishes and non-catalogued CCT (Kelvin) options.
 - Consult factory for emergency battery pack options (EMPK).
 - Product meets Buy American requirements within ARRA.
 - 5-year warranty.



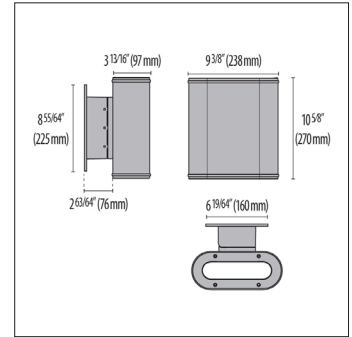
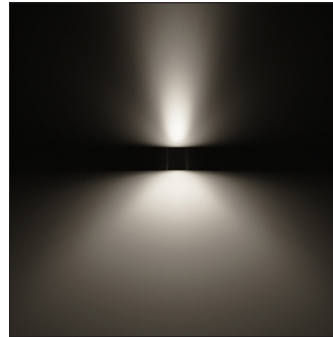
- AN-96 / IRON GRAY / TEXTURED
 - RB-10 / IRON RUST (BRONZE) / TEXTURED
 - WH-87 / WHITE / TEXTURED
 - BK-81 / TEXTURED BLACK / TEXTURED
- Consult Factory:

LAMPHOLDER	POWER	VOLTAGE	CRI	KELVIN	OPTIC TYPE	OPTIC BEAM	LIGHTSOURCE LUMEN OUTPUT	LUMINAIRE LUMEN OUTPUT	L	B	LIFETIME	FINISH	PART NUMBER
HIGH POWER LEDS 120-277 V DIMMABLE 0-10V													
LED	56 W	120-277V	80	3000	Type II	-	5700 lm	3288 lm	70	10	80000 h	●	070272
LED	56 W	120-277V	80	4000	Type II	-	6240 lm	3571 lm	70	10	80000 h	●	070257

AMON WALL B TYPE II + NB



- Long-lasting energy-efficient wall pack series. Fixtures consists of:
- Multi-step powder-coat painting process, optimized against UV rays and corrosion.
 - Copper-free extruded aluminum housing and copper-free precision die-cast aluminum trim, bracket and mounting plate.
 - Extra-clear, flat, tempered silk screened soda-lime glass diffuser.
 - Custom molded, anti-aging gasket(s).
 - Stainless steel external hardware.
 - Custom MCPCB utilized to maximize heat dissipation and promote a long LED life.
 - High-transmittance transparent optics.
 - Single (M) or dual (B) light emission.
 - IESNA Type II light distribution.
 - 26° x 70° beam angle (NB).
 - Input voltage: 120-277 V (50 / 60 Hz), integral 0-10 V dimming driver.
 - Standard hinged bracket for ease of installation; wiring can be completed by mounting the bracket ahead of the luminaire, then sliding luminaire onto the bracket using quick connectors system, then securing the luminaire by tightening the stainless steel set screws.
 - Consult factory for dimming options, custom finishes and non-catalogued CCT (Kelvin) options.
 - Consult factory for emergency battery pack options (EMPK).
 - Product meets Buy American requirements within ARRA.
 - 5-year warranty.



- AN-96 / IRON GRAY / TEXTURED
 - RB-10 / IRON RUST (BRONZE) / TEXTURED
 - WH-87 / WHITE / TEXTURED
 - BK-81 / TEXTURED BLACK / TEXTURED
- Consult Factory:

LAMPHOLDER	POWER	VOLTAGE	CRI	KELVIN	OPTIC TYPE	OPTIC BEAM	LIGHTSOURCE LUMEN OUTPUT	LUMINAIRE LUMEN OUTPUT	L	B	LIFETIME	FINISH	PART NUMBER
HIGH POWER LEDS 120-277 V DIMMABLE 0-10V													
LED	37 W	120-277V	80	3000	Type II	-	3800 lm	2147 lm	70	10	80000 h	●	070274
LED	37 W	120-277V	80	4000	Type II	-	4160 lm	2332 lm	70	10	80000 h	●	070259