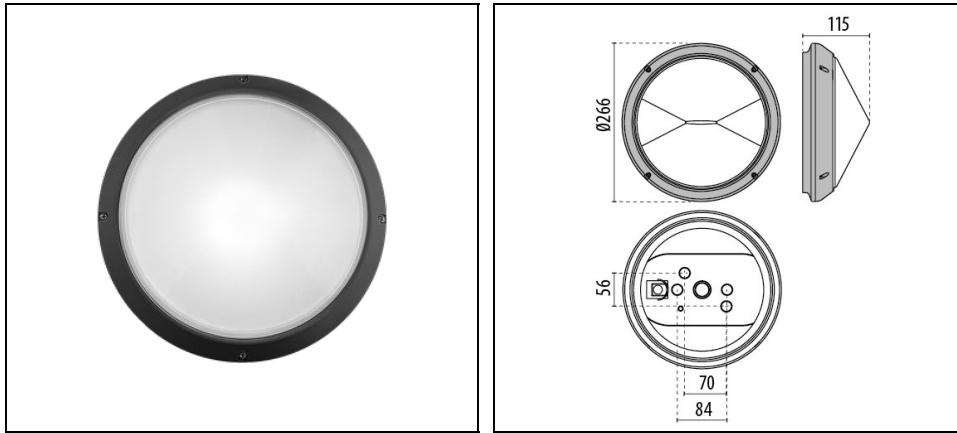


SUPERDELTA TONDO

Part number 001724



Description

Wall, ceiling, bracket and post mounted luminaire for indoor and outdoor, comprising:

- Technopolymer housing, trim, guard and VISA screen
- Pressed glass diffuser, internally coated
- Class II
- Aluminium reflector for E27 versions
- Foam polymer sealing gasket
- Stainless steel locking hardware
- Design by ROBERTO FIORATO
- Design by ROBERTO FIORATO

To maintain the regular updating of our products, PERFORMANCE iN LIGHTING reserves the right to make changes without prior notice. For the most up to date information we always recommend you read the latest version published on the website www.performanceinlighting.com. Delivered luminaire lumen outputs and power consumptions, including losses, are subject to a tolerance of +/- 7%, and unless otherwise stated the values apply to an ambient temperature of 25°C. Terms of warranty are available at <https://www.performanceinlighting.com/qr/company/led-warranty>

Product data

ETIM Group:	EG000027	ETIM Class:	EC002892
-------------	----------	-------------	----------

General information

Lampholder:	E27	Light source:	Incandescent lamps
Luminaire wattage [W]:	1x75 W	Colour / Finishing:	BK-81 / Black / Textured
IP degree of protection:	IP54	Impact resistance / impact energy:	IK08 5J xx5
Protection class:	II	Optic:	S/EW - Symmetric Extra-Wide
Net weight [kg]:	1.226	Overall diameter [mm]:	266
Overall width [mm]:	116		

Mechanical features

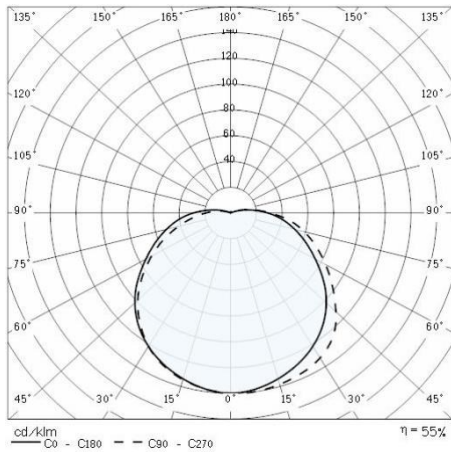
Shape:	Round $150 \leq x \leq 300$ mm	Housing material:	Plastic
Diffuser material:	Glass	Glow wire test [°C]:	960 °C

Installation

Application area:	Outdoor lighting	Mounting type:	Bulkhead
Min. ambient temperature [°C]:	-30	Max. ambient temperature [°C]:	40

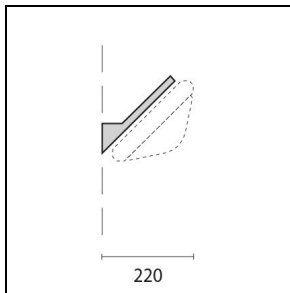
Light features

Photometric data



Optional accessories

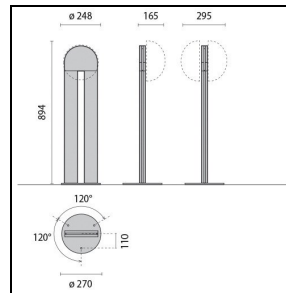
SUPERDELTA TONDO



008943

Bracket

■ BK-81 / Black



000500

Double Post

■ BK-81 / Black