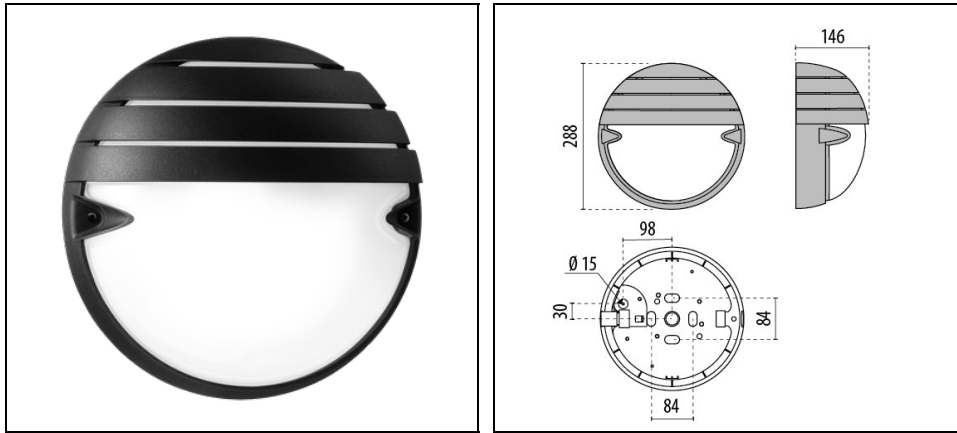


CHIP TONDO 30 GRILL

Part number 005828



Description

Wall, ceiling and post mounted luminaire for indoor and outdoor, comprising:

- Technopolymer housing, trim or screen
- Pressed glass diffuser, internally coated
- Class II
- Aluminium reflector for E27 versions
- Anti-ageing custom moulded silicone sealing gasket(s)
- Side entry for 20 mm conduits (drill out holes in housing arrangement)
- Anti-tampering screws available upon request
- Design by ROBERTO FIORATO
- Design by ROBERTO FIORATO

To maintain the regular updating of our products, PERFORMANCE IN LIGHTING reserves the right to make changes without prior notice. For the most up to date information we always recommend you read the latest version published on the website www.performanceinlighting.com. Delivered luminaire lumen outputs and power consumptions, including losses, are subject to a tolerance of +/- 7%, and unless otherwise stated the values apply to an ambient temperature of 25°C. Terms of warranty are available at <https://www.performanceinlighting.com/qr/company/led-warranty>

Product data

| | | | |
|-------------|----------|-------------|----------|
| ETIM Group: | EG000027 | ETIM Class: | EC002892 |
|-------------|----------|-------------|----------|

General information

| | | | |
|--------------------------|--------|------------------------------------|-----------------------------|
| Lampholder: | E27 | Light source: | Fluorescent lamps |
| Luminaire wattage [W]: | 1x30 W | Colour / Finishing: | BK-81 / Black / Textured |
| IP degree of protection: | IP55 | Impact resistance / impact energy: | IK06 1J xx3 |
| Protection class: | II | Optic: | S/EW - Symmetric Extra-Wide |
| Net weight [kg]: | 1.949 | Overall diameter [mm]: | 288 |
| Overall width [mm]: | 146 | | |

Mechanical features

| | | | |
|--------------------|--------------------------------|----------------------|---------|
| Shape: | Round $150 \leq x \leq 300$ mm | Housing material: | Plastic |
| Diffuser material: | Glass | Glow wire test [°C]: | 750 °C |

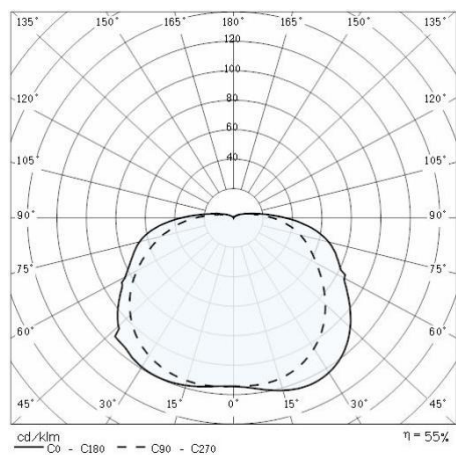
Installation

| | | | |
|--------------------------------|------------------|--------------------------------|----------|
| Application area: | Outdoor lighting | Mounting type: | Bulkhead |
| Min. ambient temperature [°C]: | -30 | Max. ambient temperature [°C]: | 45 |

Light features

To maintain the regular updating of our products, PERFORMANCE IN LIGHTING reserves the right to make changes without prior notice. For the most up to date information we always recommend you read the latest version published on the website www.performanceinlighting.com. Delivered luminaire lumen outputs and power consumptions, including losses, are subject to a tolerance of +/- 7%, and unless otherwise stated the values apply to an ambient temperature of 25°C. Terms of warranty are available at <https://www.performanceinlighting.com/qr/company/led-warranty>

Photometric data



To maintain the regular updating of our products, PERFORMANCE IN LIGHTING reserves the right to make changes without prior notice. For the most up to date information we always recommend you read the latest version published on the website www.performanceinlighting.com. Delivered luminaire lumen outputs and power consumptions, including losses, are subject to a tolerance of +/- 7%, and unless otherwise stated the values apply to an ambient temperature of 25°C. Terms of warranty are available at <https://www.performanceinlighting.com/qr/company/led-warranty>