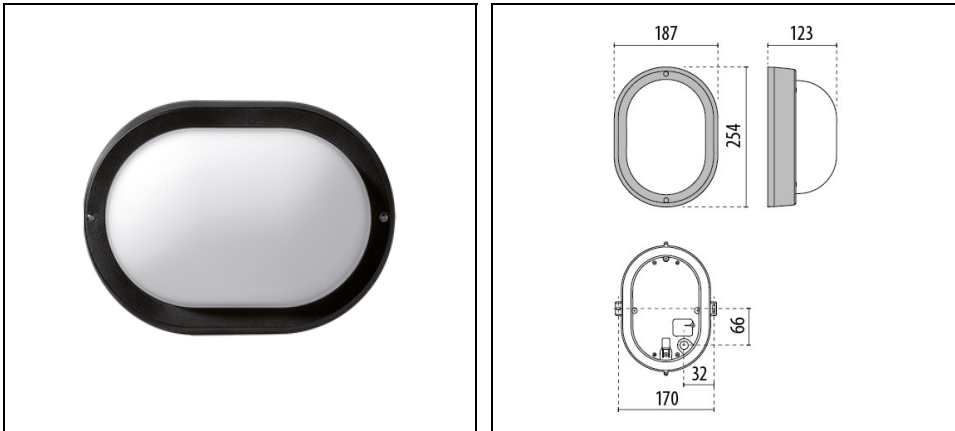


EKO 19

Part number 300255



Description

Wall and ceiling mounted luminaire for indoor and outdoor, comprising:

- Technopolymer housing and ring
- Pressed glass diffuser, internally coated
- Class II
- Aluminium reflector for E27 versions
- Diffuser stays securely hinged to the frame
- Stainless steel locking hardware
- Anti-tampering locking kit available as accessory
- Design by ROBERTO FIORATO
- Design by ROBERTO FIORATO

Product data

ETIM Group:	EG000027	ETIM Class:	EC0028g2
-------------	----------	-------------	----------

General information

Lampholder:	E27	Light source:	Fluorescent lamps
Luminaire wattage [W]:	1x15 W	Colour / Finishing:	BK-81 / Black / Textured
IP degree of protection:	IP44	Impact resistance / impact energy:	IK06 1J xx3
Protection class:	II	Optic:	S/EW - Symmetric Extra-Wide
Net weight [kg]:	1.054	Overall length [mm]:	254
Overall width [mm]:	123	Overall height [mm]:	187

Mechanical features

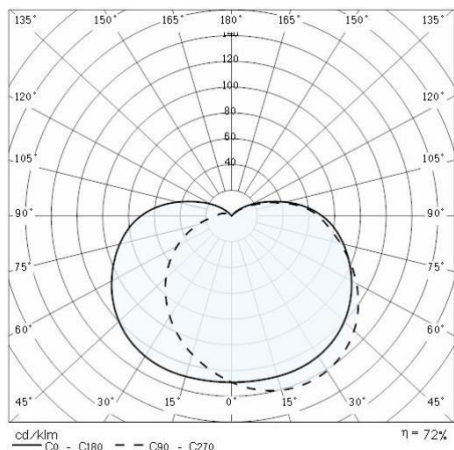
Shape:	Rectangular	Housing material:	Plastic
Diffuser material:	Glass	Glow wire test [°C]:	750 °C

Installation

Application area:	Outdoor lighting	Mounting type:	Bulkhead
Min. ambient temperature [°C]:	-30	Max. ambient temperature [°C]:	45

Light features

Photometric data



Optional accessories

EKO 19



310176
Anti-tamper



310177
Anti-tamper