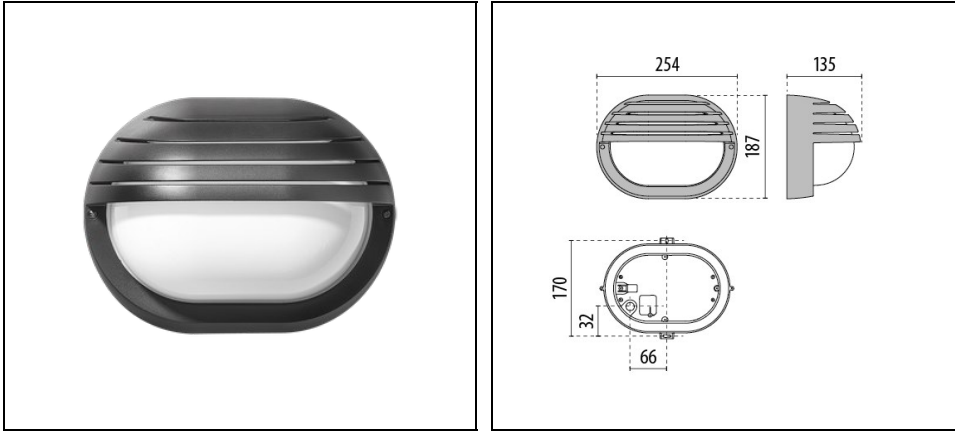


EKO 19 GRILL

Part number 300275



Description

Wall and ceiling mounted luminaire for indoor and outdoor, comprising:

- Technopolymer housing and ring
- Pressed glass diffuser, internally coated
- Class II
- Aluminium reflector for E27 versions
- Diffuser stays securely hinged to the frame
- Stainless steel locking hardware
- Anti-tampering locking kit available as accessory
- Design by ROBERTO FIORATO
- Design by ROBERTO FIORATO

To maintain the regular updating of our products, PERFORMANCE iN LIGHTING reserves the right to make changes without prior notice. For the most up to date information we always recommend you read the latest version published on the website www.performanceinlighting.com. Delivered luminaire lumen outputs and power consumptions, including losses, are subject to a tolerance of +/- 7%, and unless otherwise stated the values apply to an ambient temperature of 25°C. Terms of warranty are available at <https://www.performanceinlighting.com/qr/company/led-warranty>

Product data

ETIM Group:	EG000027	ETIM Class:	EC0028g2
-------------	----------	-------------	----------

General information

Lampholder:	E27	Light source:	Fluorescent lamps
Luminaire wattage [W]:	1x15 W	Colour / Finishing:	BK-81 / Black / Textured
IP degree of protection:	IP44	Impact resistance / impact energy:	IK06 1J xx3
Protection class:	II	Optic:	A/EW - Asymmetric Extra-Wide
Net weight [kg]:	1.196	Overall length [mm]:	254
Overall width [mm]:	134	Overall height [mm]:	187

Mechanical features

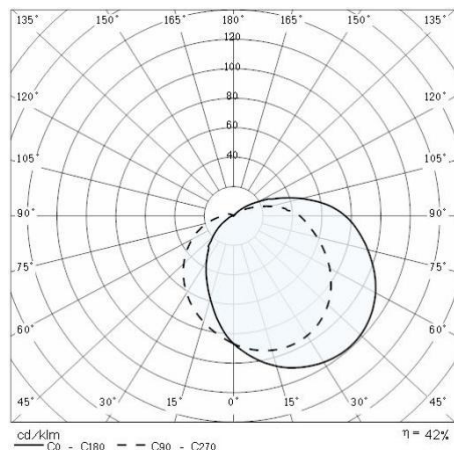
Shape:	Rectangular	Housing material:	Plastic
Diffuser material:	Glass	Glow wire test [°C]:	750 °C

Installation

Application area:	Outdoor lighting	Mounting type:	Bulkhead
Min. ambient temperature [°C]:	-30	Max. ambient temperature [°C]:	45

Light features

Photometric data



Optional accessories

EKO 19



310176
Anti-tamper



310177
Anti-tamper