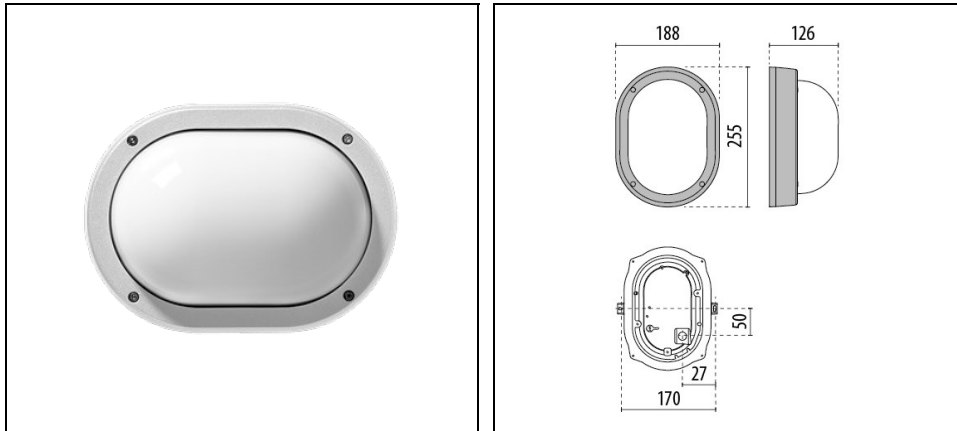


EKO+19 LED

Part number 301381



Description

Wall and ceiling mounted luminaire for indoor and outdoor, comprising:

- Die-cast aluminium housing, ring and screen, polyester powder coat finish ISO 9227/12944 - ISO 9223 (C5)
- Pressed glass diffuser, internally coated
- EPDM sealing gasket
- Diffuser stays securely hinged to the frame
- No through wiring
- Stainless steel locking hardware
- Design by ROBERTO FIORATO
- Design by ROBERTO FIORATO

To maintain the regular updating of our products, PERFORMANCE IN LIGHTING reserves the right to make changes without prior notice. For the most up to date information we always recommend you read the latest version published on the website www.performanceinlighting.com. Delivered luminaire lumen outputs and power consumptions, including losses, are subject to a tolerance of +/- 7%, and unless otherwise stated the values apply to an ambient temperature of 25°C. Terms of warranty are available at <https://www.performanceinlighting.com/qr/company/led-warranty>

Product data

| | | | |
|-------------|----------|-------------|----------|
| ETIM Group: | EG000027 | ETIM Class: | EC002892 |
|-------------|----------|-------------|----------|

General information

| | | | |
|------------------------------------|-----------------------------|------------------------------|-------|
| Lampholder: | LED | Light source: | LED |
| Lightsource lumen output [lm]: | 738 | Luminaire lumen output [lm]: | 508 |
| Luminaire wattage [W]: | 10 W | Luminous efficacy [lm/W]: | 51 |
| CRI: | 80 | Colour temperature [K]: | 4000 |
| Colour / Finishing: | WH-87 / White / Textured | IP degree of protection: | IP66 |
| Impact resistance / impact energy: | IK07 2J xx5 | Protection class: | I |
| Optic: | S/EW - Symmetric Extra-Wide | Net weight [kg]: | 1.623 |
| Overall length [mm]: | 255 | Overall width [mm]: | 126 |
| Overall height [mm]: | 188 | | |

Mechanical features

| | | | |
|--------------------|-------------|-------------------|-----------|
| Shape: | Rectangular | Housing material: | Aluminium |
| Diffuser material: | Glass | | |

Electrical features

| | | | |
|------------------------------|---------|---------------------------------|----------|
| Voltage type: | AC/DC | Input voltage [V AC]: | 220/240 |
| Input frequency [Hz]: | 0/50/60 | Power factor / COS Φ : | >0.95 |
| Input voltage [V DC]: | 170/280 | Surge protection Common [kV]: | 4.000000 |
| Inrush current [A/ μ s]: | 5 / 50 | C10 1.5 mm ² : | 52 |
| C16 2.5 mm ² : | 85 | B10 1.5 mm ² : | 31 |
| B16 2.5 mm ² : | 50 | | |

Installation

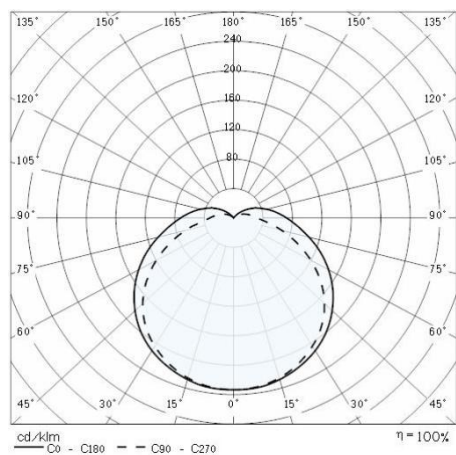
| | | | |
|--------------------------------|------------------|--------------------------------|----------|
| Application area: | Outdoor lighting | Mounting type: | Bulkhead |
| Min. ambient temperature [°C]: | -25 | Max. ambient temperature [°C]: | 40 |

Light features

| | | | |
|---------------------------------|--------|--------------------|---------------|
| MacAdam: | 3 | Lumen maintenance: | L80B10@50000h |
| Distribution of light emission: | Direct | | |

To maintain the regular updating of our products, PERFORMANCE IN LIGHTING reserves the right to make changes without prior notice. For the most up to date information we always recommend you read the latest version published on the website www.performanceinlighting.com. Delivered luminaire lumen outputs and power consumptions, including losses, are subject to a tolerance of +/- 7%, and unless otherwise stated the values apply to an ambient temperature of 25°C. Terms of warranty are available at <https://www.performanceinlighting.com/qr/company/led-warranty>

Photometric data



To maintain the regular updating of our products, PERFORMANCE IN LIGHTING reserves the right to make changes without prior notice. For the most up to date information we always recommend you read the latest version published on the website www.performanceinlighting.com. Delivered luminaire lumen outputs and power consumptions, including losses, are subject to a tolerance of +/- 7%, and unless otherwise stated the values apply to an ambient temperature of 25°C. Terms of warranty are available at <https://www.performanceinlighting.com/qr/company/led-warranty>