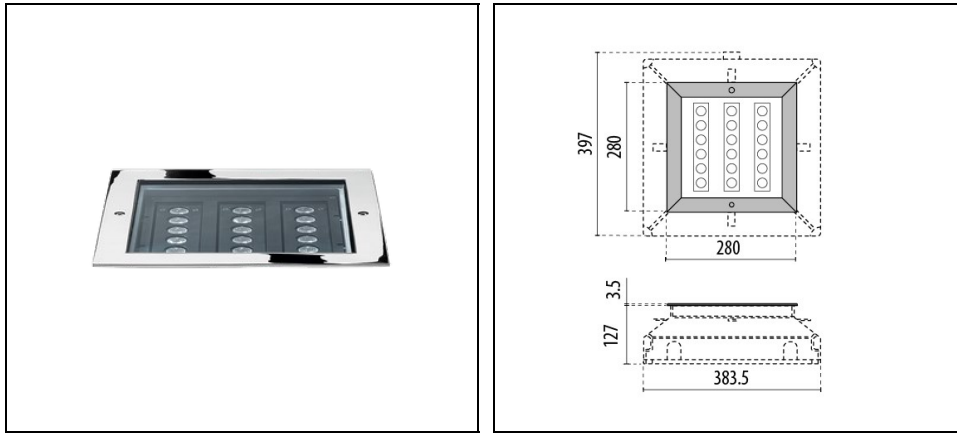


# STEEL SQUARE 28 - 18 LED ELL 10°X45°

Part number 301490



## Description

Series of reduced depth in-ground luminaires, comprising:

- Black painted anodised die-cast aluminium housing
- Extra-clear toughened flat glass cover thickness 12 mm
- Optic compartment separate from the power compartment for better heat control
- Anti-ageing custom moulded silicone sealing gasket(s)
- Precision-cast stainless steel trim
- Mains connection through waterproof connection system (WATER-STOP)
- Stainless steel locking hardware
- Technopolymer recessed box allows water drainage through the Water-Drain™ system. The recessed rough-in kit is also equipped with a removable cover, with two bubble levels inside for quick installation
- Recessed box to be ordered separately
- LED extruded profiles may be oriented independently (+/- 10°)
- The STEEL SQUARE 28 LED E 10X45° versions are characterised by elliptical optics with 10°x45° ellipsoid beam

To maintain the regular updating of our products, PERFORMANCE IN LIGHTING reserves the right to make changes without prior notice. For the most up to date information we always recommend you read the latest version published on the website [www.performanceinlighting.com](http://www.performanceinlighting.com). Delivered luminaire lumen outputs and power consumptions, including losses, are subject to a tolerance of +/- 7%, and unless otherwise stated the values apply to an ambient temperature of 25°C. Terms of warranty are available at <https://www.performanceinlighting.com/qr/company/led-warranty>

## Product data

ETIM Group:	EG000027	ETIM Class:	EC000758
-------------	----------	-------------	----------

## General information

Lampholder:	LED	Light source:	LED
Lightsource lumen output [lm]:	1530	Luminaire lumen output [lm]:	852
Luminaire wattage [W]:	20 W	Luminous efficacy [lm/W]:	43
CRI:	80	Colour temperature [K]:	3000
Colour / Finishing:	INOX / Stainless steel / Glossy	IP degree of protection:	IP67
Impact resistance / impact energy:	IK10 20J xxg	Protection class:	I
Optic:	ELL - Elliptical	Beam angle:	10°x45°
Net weight [kg]:	6.012	Overall length [mm]:	280
Overall width [mm]:	280	Overall height [mm]:	119

## Mechanical features

Shape:	Square $\geq$ 300 mm	Housing material:	Aluminium
Diffuser material:	Glass	Static load [kg]:	2800
Shear load [kN]:	5	Resistance to torque [Nm]:	50

## Electrical features

Voltage type:	AC/DC	Input voltage [V AC]:	220/240
Input frequency [Hz]:	0/50/60	Power factor / COS $\Phi$ :	0.6
Input voltage [V DC]:	170/280	Surge protection   Common [kV]:	4.000000
Inrush current [A/ $\mu$ s]:	5 / 50	C10 1.5 mm <sup>2</sup> :	52
C16 2.5 mm <sup>2</sup> :	85	B10 1.5 mm <sup>2</sup> :	31
B16 2.5 mm <sup>2</sup> :	50		

## Installation

Application area:	Outdoor lighting	Mounting type:	Inground
Min. ambient temperature [°C]:	-20	Max. ambient temperature [°C]:	40
Glass temperature [°C]:	40	Ingrounds classification:	A1 A2 A3 A4 A5

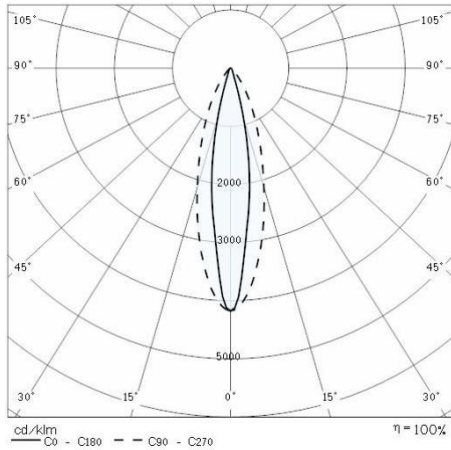
## Light features

MacAdam:	3	Lumen maintenance:	L80B10@50000h
Distribution of light emission:	Direct		

To maintain the regular updating of our products, PERFORMANCE IN LIGHTING reserves the right to make changes without prior notice. For the most up to date information we always recommend you read the latest version published on the website [www.performanceinlighting.com](http://www.performanceinlighting.com). Delivered luminaire lumen outputs and power consumptions, including losses, are subject to a tolerance of +/- 7%, and unless otherwise stated the values apply to an ambient temperature of 25°C. Terms of warranty are available at <https://www.performanceinlighting.com/qr/company/led-warranty>

## Photometric data

---



## Mandatory accessories

---

### STEEL SQUARE

**310374**

Steel Recessed Fixing Kit, Square 28