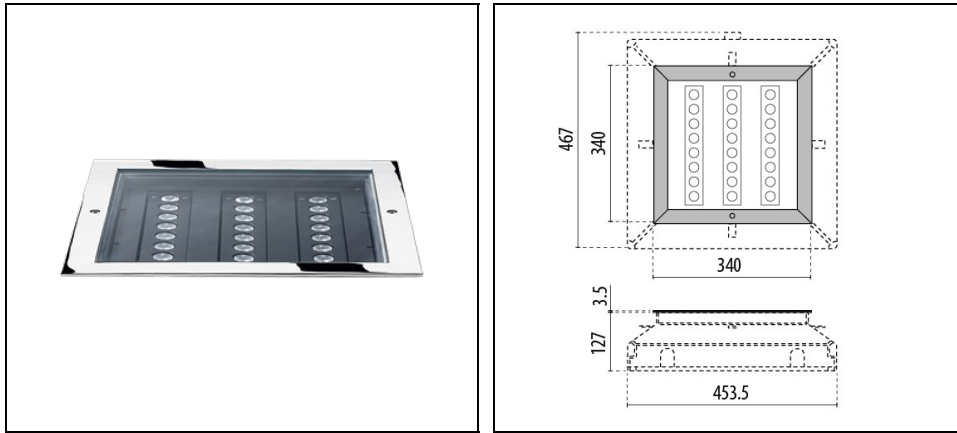


STEEL SQUARE 34 - 24 LED ELL 10°X45°

Part number 301509



Description

Series of reduced depth in-ground luminaires, comprising:

- Black painted anodised die-cast aluminium housing
- Extra-clear toughened flat glass cover thickness 12 mm
- Optic compartment separate from the power compartment for better heat control
- Anti-ageing custom moulded silicone sealing gasket(s)
- Precision-cast stainless steel trim
- Mains connection through waterproof connection system (WATER-STOP)
- Stainless steel locking hardware
- Technopolymer recessed box allows water drainage through the Water-Drain™ system. The recessed rough-in kit is also equipped with a removable cover, with two bubble levels inside for quick installation
- Recessed box to be ordered separately
- LED extruded profiles may be oriented independently (+/- 10°)
- The STEEL SQUARE 34 LED ELL 10X45° versions feature elliptical optics with 10°x45° ellipsoid beam

To maintain the regular updating of our products, PERFORMANCE IN LIGHTING reserves the right to make changes without prior notice. For the most up to date information we always recommend you read the latest version published on the website www.performanceinlighting.com. Delivered luminaire lumen outputs and power consumptions, including losses, are subject to a tolerance of +/- 7%, and unless otherwise stated the values apply to an ambient temperature of 25°C. Terms of warranty are available at <https://www.performanceinlighting.com/qr/company/led-warranty>

Product data

| | | | |
|-------------|----------|-------------|----------|
| ETIM Group: | EG000027 | ETIM Class: | EC000758 |
|-------------|----------|-------------|----------|

General information

| | | | |
|------------------------------------|---------------------------------|------------------------------|---------|
| Lampholder: | LED | Light source: | LED |
| Lightsource lumen output [lm]: | 2040 | Luminaire lumen output [lm]: | 1087 |
| Luminaire wattage [W]: | 26 W | Luminous efficacy [lm/W]: | 42 |
| CRI: | 80 | Colour temperature [K]: | 3000 |
| Colour / Finishing: | INOX / Stainless steel / Glossy | IP degree of protection: | IP67 |
| Impact resistance / impact energy: | IK10 20J xxg | Protection class: | I |
| Optic: | ELL - Elliptical | Beam angle: | 10°x45° |
| Net weight [kg]: | 8.548 | Overall length [mm]: | 340 |
| Overall width [mm]: | 340 | Overall height [mm]: | 119 |

Mechanical features

| | | | |
|--------------------|----------------------|----------------------------|-----------|
| Shape: | Square \geq 300 mm | Housing material: | Aluminium |
| Diffuser material: | Glass | Static load [kg]: | 2200 |
| Shear load [kN]: | 5 | Resistance to torque [Nm]: | 50 |

Electrical features

| | | | |
|------------------------------|---------|---------------------------------|----------|
| Voltage type: | AC/DC | Input voltage [V AC]: | 220/240 |
| Input frequency [Hz]: | 0/50/60 | Power factor / COS Φ : | 0.6 |
| Input voltage [V DC]: | 170/280 | Surge protection Common [kV]: | 4.000000 |
| Inrush current [A/ μ s]: | 10 / 50 | C10 1.5 mm ² : | 26 |
| C16 2.5 mm ² : | 42 | B10 1.5 mm ² : | 15 |
| B16 2.5 mm ² : | 25 | | |

Installation

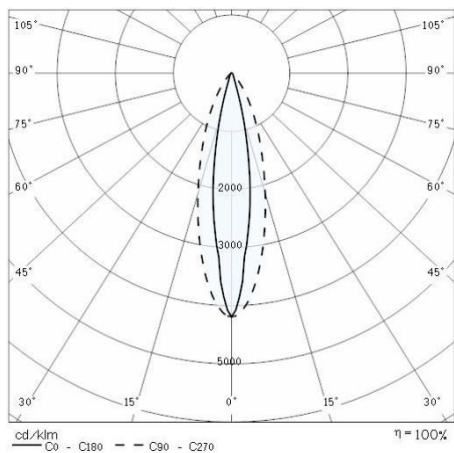
| | | | |
|--------------------------------|------------------|--------------------------------|----------------|
| Application area: | Outdoor lighting | Mounting type: | Inground |
| Min. ambient temperature [°C]: | -20 | Max. ambient temperature [°C]: | 40 |
| Glass temperature [°C]: | 36 | Ingrounds classification: | A1 A2 A3 A4 A5 |

Light features

| | | | |
|---------------------------------|--------|--------------------|---------------|
| MacAdam: | 3 | Lumen maintenance: | L80B10@50000h |
| Distribution of light emission: | Direct | | |

To maintain the regular updating of our products, PERFORMANCE iN LIGHTING reserves the right to make changes without prior notice. For the most up to date information we always recommend you read the latest version published on the website www.performanceinlighting.com. Delivered luminaire lumen outputs and power consumptions, including losses, are subject to a tolerance of +/- 7%, and unless otherwise stated the values apply to an ambient temperature of 25°C. Terms of warranty are available at <https://www.performanceinlighting.com/qr/company/led-warranty>

Photometric data



Mandatory accessories

STEEL SQUARE

**310379**

Steel Recessed Fixing Kit, Square 34