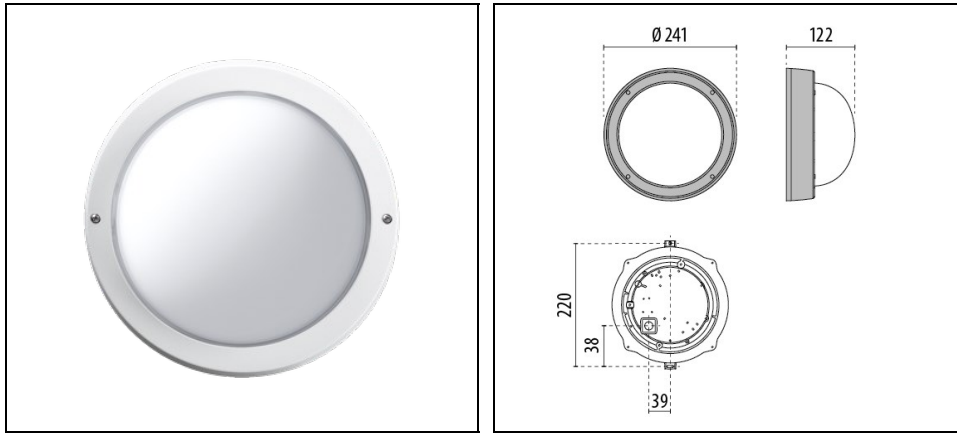


# EKO+21 LED

Part number 303477



## Description

Wall and ceiling mounted luminaire for indoor and outdoor, comprising:

- Die-cast aluminium housing, ring and screen, polyester powder coat finish ISO 9227/12944 - ISO 9223 (C5)
- Pressed glass diffuser, internally coated
- EPDM sealing gasket
- Diffuser stays securely hinged to the frame
- No through wiring
- Stainless steel locking hardware
- Tilting LED board for easy wiring during installation
- LED SMD versions are complete with mid-power boards
- Design by ROBERTO FIORATO
- Design by ROBERTO FIORATO

To maintain the regular updating of our products, PERFORMANCE IN LIGHTING reserves the right to make changes without prior notice. For the most up to date information we always recommend you read the latest version published on the website [www.performanceinlighting.com](http://www.performanceinlighting.com). Delivered luminaire lumen outputs and power consumptions, including losses, are subject to a tolerance of +/- 7%, and unless otherwise stated the values apply to an ambient temperature of 25°C. Terms of warranty are available at <https://www.performanceinlighting.com/qr/company/led-warranty>

## Product data

|             |          |             |          |
|-------------|----------|-------------|----------|
| ETIM Group: | EG000027 | ETIM Class: | EC002892 |
|-------------|----------|-------------|----------|

## General information

|                                    |                             |                              |      |
|------------------------------------|-----------------------------|------------------------------|------|
| Lampholder:                        | LED                         | Light source:                | LED  |
| Lightsource lumen output [lm]:     | 1281                        | Luminaire lumen output [lm]: | 734  |
| Luminaire wattage [W]:             | 11 W                        | Luminous efficacy [lm/W]:    | 67   |
| CRI:                               | 80                          | Colour temperature [K]:      | 4000 |
| Colour / Finishing:                | WH-87 / White / Textured    | IP degree of protection:     | IP66 |
| Impact resistance / impact energy: | IK07 2J xx5                 | Protection class:            | I    |
| Optic:                             | S/EW - Symmetric Extra-Wide | Net weight [kg]:             | 1.72 |
| Overall diameter [mm]:             | 241                         | Overall width [mm]:          | 125  |

## Mechanical features

|                    |                                |                   |           |
|--------------------|--------------------------------|-------------------|-----------|
| Shape:             | Round $150 \leq x \leq 300$ mm | Housing material: | Aluminium |
| Diffuser material: | Glass                          |                   |           |

## Electrical features

|                           |         |                              |         |
|---------------------------|---------|------------------------------|---------|
| Voltage type:             | AC/DC   | Input voltage [V AC]:        | 220/240 |
| Input frequency [Hz]:     | 0/50/60 | Power factor / COS $\Phi$ :  | >0.9    |
| Input voltage [V DC]:     | 170/276 | Inrush current [A/ $\mu$ s]: | 5 / 50  |
| C10 1.5 mm <sup>2</sup> : | 52      | C16 2.5 mm <sup>2</sup> :    | 85      |
| B10 1.5 mm <sup>2</sup> : | 31      | B16 2.5 mm <sup>2</sup> :    | 50      |

## Installation

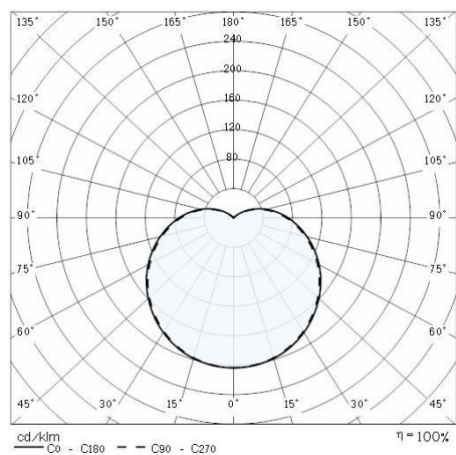
|                                |                  |                                |          |
|--------------------------------|------------------|--------------------------------|----------|
| Application area:              | Outdoor lighting | Mounting type:                 | Bulkhead |
| Min. ambient temperature [°C]: | -20              | Max. ambient temperature [°C]: | 45       |

## Light features

|                                 |        |                    |               |
|---------------------------------|--------|--------------------|---------------|
| MacAdam:                        | 3      | Lumen maintenance: | L80B10@50000h |
| Distribution of light emission: | Direct |                    |               |

## Photometric data

---



To maintain the regular updating of our products, PERFORMANCE IN LIGHTING reserves the right to make changes without prior notice. For the most up to date information we always recommend you read the latest version published on the website [www.performanceinlighting.com](http://www.performanceinlighting.com). Delivered luminaire lumen outputs and power consumptions, including losses, are subject to a tolerance of +/- 7%, and unless otherwise stated the values apply to an ambient temperature of 25°C. Terms of warranty are available at <https://www.performanceinlighting.com/qr/company/led-warranty>