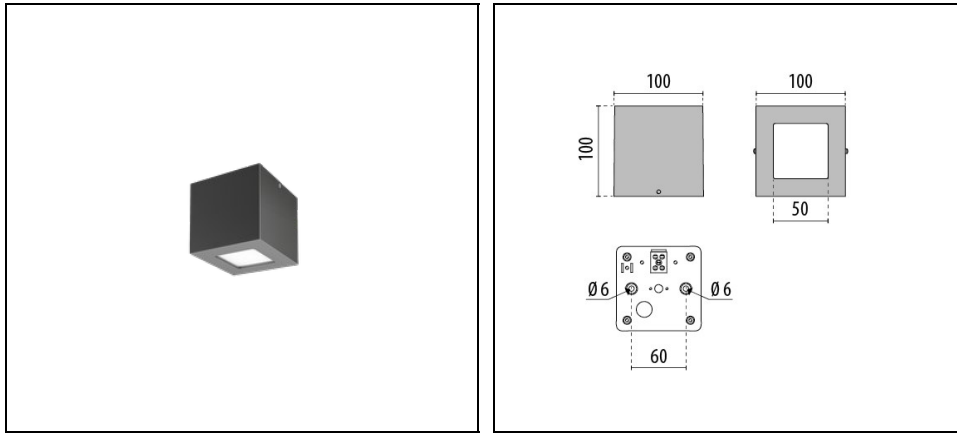


QUASAR 10 CEILING

Part number 304490



Description

Ceiling surface mounted LED luminaire, comprising:

- Die-cast aluminium housing, polyester powder coat finish ISO 9227/12944 - ISO 9223 (C5)
- Inner satin toughened flat glass diffuser
- Foam polymer sealing gasket
- Built-in driver
- Stainless steel locking hardware
- Openable and maintainable luminaire (future-proof)

To maintain the regular updating of our products, PERFORMANCE iN LIGHTING reserves the right to make changes without prior notice. For the most up to date information we always recommend you read the latest version published on the website www.performanceinlighting.com. Delivered luminaire lumen outputs and power consumptions, including losses, are subject to a tolerance of +/- 7%, and unless otherwise stated the values apply to an ambient temperature of 25°C. Terms of warranty are available at <https://www.performanceinlighting.com/qr/company/led-warranty>

Product data

ETIM Group:	EG000027	ETIM Class:	EC002892
-------------	----------	-------------	----------

General information

Lampholder:	LED	Light source:	LED
Lightsource lumen output [lm]:	500	Luminaire lumen output [lm]:	289,40
Luminaire wattage [W]:	5 W	Luminous efficacy [lm/W]:	58
CRI:	80	Colour temperature [K]:	4000
Colour / Finishing:	AN-g6 / Anthracite gray / Textured	IP degree of protection:	IP40
Impact resistance / impact energy:	IK06 1J xx3	Protection class:	I
Optic:	S/EW - Symmetric Extra-Wide	Net weight [kg]:	0,583
Overall length [mm]:	100	Overall width [mm]:	100
Overall height [mm]:	100		

Mechanical features

Shape:	Square \leq 150 mm	Housing material:	Aluminium
Diffuser material:	Glass		

Electrical features

Voltage type:	AC	Input voltage [V AC]:	230
Input frequency [Hz]:	50/60	Power factor / COS Φ :	>0,9
Inrush current [A/ μ s]:	3 / 136	C10 1.5 mm ² :	133
C16 2.5 mm ² :	173	B10 1.5 mm ² :	83
B16 2.5 mm ² :	133		

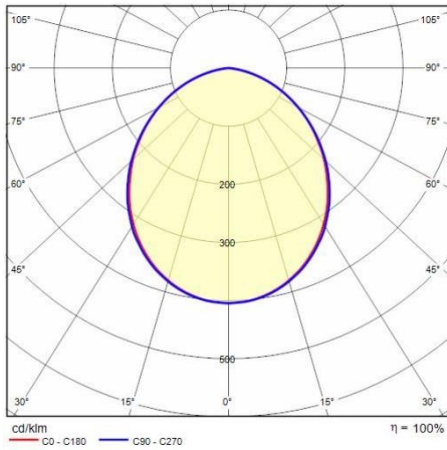
Installation

Application area:	Outdoor lighting	Mounting type:	Exterior ceiling
Min. ambient temperature [°C]:	-20	Max. ambient temperature [°C]:	40

Light features

MacAdam:	3	Lumen maintenance:	L80B10@6680oh
Distribution of light emission:	Direct	Zero light pollution (ULR = 0%):	

Photometric data



To maintain the regular updating of our products, PERFORMANCE IN LIGHTING reserves the right to make changes without prior notice. For the most up to date information we always recommend you read the latest version published on the website www.performanceinlighting.com. Delivered luminaire lumen outputs and power consumptions, including losses, are subject to a tolerance of +/- 7%, and unless otherwise stated the values apply to an ambient temperature of 25°C. Terms of warranty are available at <https://www.performanceinlighting.com/qr/company/led-warranty>