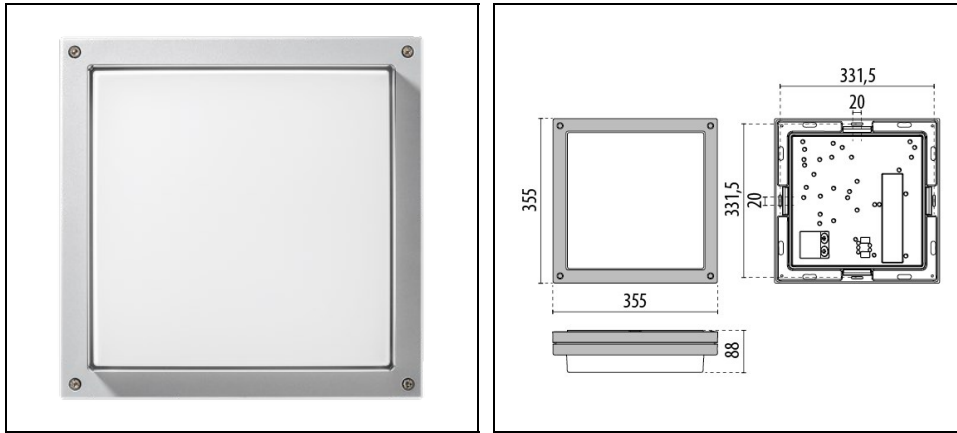


# BLIZ SQUARE 40

Part number 304664



## Description

Wall and ceiling mounted LED luminaire for indoor and outdoor, comprising:

- Die-cast aluminium housing and trim, polyester powder coat finish ISO 9227/12944 - ISO 9223 (C5)
- Pressed glass diffuser, internally coated
- Anti-ageing custom moulded silicone sealing gasket(s)
- Through-wiring designed
- Built-in driver
- Stainless steel locking hardware

To maintain the regular updating of our products, PERFORMANCE IN LIGHTING reserves the right to make changes without prior notice. For the most up to date information we always recommend you read the latest version published on the website [www.performanceinlighting.com](http://www.performanceinlighting.com). Delivered luminaire lumen outputs and power consumptions, including losses, are subject to a tolerance of +/- 7%, and unless otherwise stated the values apply to an ambient temperature of 25°C. Terms of warranty are available at <https://www.performanceinlighting.com/qr/company/led-warranty>

## Product data

ETIM Group:	EG000027	ETIM Class:	EC002892
-------------	----------	-------------	----------

## General information

Lampholder:	LED	Light source:	LED
Lightsource lumen output [lm]:	6732	Luminaire lumen output [lm]:	2495
Luminaire wattage [W]:	39 W	Luminous efficacy [lm/W]:	64
CRI:	80	Colour temperature [K]:	4000
Colour / Finishing:	WH-87 / White / Textured	IP degree of protection:	IP65
Impact resistance / impact energy:	IK07 2J xx5	Protection class:	I
Optic:	S/EW - Symmetric Extra-Wide	Net weight [kg]:	5.845
Overall length [mm]:	355	Overall width [mm]:	88
Overall height [mm]:	355		

## Mechanical features

Shape:	Square $\geq$ 300 mm	Housing material:	Aluminium
Diffuser material:	Glass		

## Electrical features

Voltage type:	AC/DC	Input voltage [V AC]:	220/240
Input frequency [Hz]:	0/50/60	Power factor / COS $\Phi$ :	>0.9
Input voltage [V DC]:	176/276	Inrush current [A/ $\mu$ s]:	30 / 200
C10 1.5 mm <sup>2</sup> :	20	C16 2.5 mm <sup>2</sup> :	34
B10 1.5 mm <sup>2</sup> :	12	B16 2.5 mm <sup>2</sup> :	20

## Installation

Application area:	Outdoor lighting	Mounting type:	Bulkhead
Min. ambient temperature [°C]:	-20	Max. ambient temperature [°C]:	40

## Light features

MacAdam:	3	Lumen maintenance:	L80B10@36000h
Distribution of light emission:	Direct		

To maintain the regular updating of our products, PERFORMANCE IN LIGHTING reserves the right to make changes without prior notice. For the most up to date information we always recommend you read the latest version published on the website [www.performanceinlighting.com](http://www.performanceinlighting.com). Delivered luminaire lumen outputs and power consumptions, including losses, are subject to a tolerance of +/- 7%, and unless otherwise stated the values apply to an ambient temperature of 25°C. Terms of warranty are available at <https://www.performanceinlighting.com/qr/company/led-warranty>

## Photometric data

---



## Optional accessories

---

### BLIZ SQUARE 40

**310255**

Polycarbonate diffusor