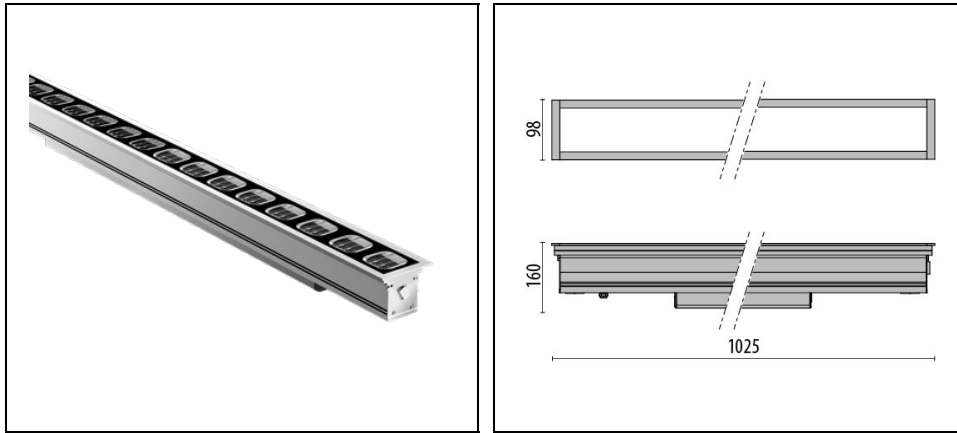


# TRACCIA 1000

Part number 305323



## Description

Series of reduced depth in-ground luminaires, comprising:

- Extruded anodised aluminium housing
- EPDM sealing gasket
- Technopolymer anti-glare grid
- Toughened, glass diffuser, silk-screened on the inside
- Through-wiring designed
- IP-rated external socket-plug fast connector (QUICK), complete with factory pre-wired cable
- Built-in driver
- Stainless steel locking hardware
- Recessed box to be ordered separately
- High heat-dissipating aluminium gear tray for increased inner components lifespan
- Integral unique device for field adjustable beam orientation (0° - 30°)
- Stand-alone or seamless linear compositions (up to 80 m) mounting options
- Static ON/OFF or dimmable DALI options available
- TRIMLESS options available. Consult factory

To maintain the regular updating of our products, PERFORMANCE IN LIGHTING reserves the right to make changes without prior notice. For the most up to date information we always recommend you read the latest version published on the website [www.performanceinlighting.com](http://www.performanceinlighting.com). Delivered luminaire lumen outputs and power consumptions, including losses, are subject to a tolerance of +/- 7%, and unless otherwise stated the values apply to an ambient temperature of 25°C. Terms of warranty are available at <https://www.performanceinlighting.com/qr/company/led-warranty>

## Product data

|             |          |             |          |
|-------------|----------|-------------|----------|
| ETIM Group: | EG000027 | ETIM Class: | EC000758 |
|-------------|----------|-------------|----------|

## General information

|                                    |                              |                              |      |
|------------------------------------|------------------------------|------------------------------|------|
| Lampholder:                        | LED                          | Light source:                | LED  |
| Lightsource lumen output [lm]:     | 4000                         | Luminaire lumen output [lm]: | 3274 |
| Luminaire wattage [W]:             | 42 W                         | Luminous efficacy [lm/W]:    | 78   |
| CRI:                               | 80                           | Colour temperature [K]:      | 4000 |
| Colour / Finishing:                | GR-11 / Anodised grey / Matt | IP degree of protection:     | IP67 |
| Impact resistance / impact energy: | IK10 20J xxg                 | Protection class:            | I    |
| Optic:                             | S/I - Symmetric Intensive    | Beam angle:                  | 12°  |
| Net weight [kg]:                   | 8.73                         | Overall length [mm]:         | 1025 |
| Overall width [mm]:                | 98                           | Overall height [mm]:         | 106  |

## Mechanical features

|                            |             |                      |           |
|----------------------------|-------------|----------------------|-----------|
| Shape:                     | Rectangular | Housing material:    | Aluminium |
| Diffuser material:         | Glass       | Glow wire test [°C]: | 850 °C    |
| Static load [kg]:          | 2000        | Shear load [kN]:     | 5         |
| Resistance to torque [Nm]: | 50          |                      |           |

## Electrical features

|                           |         |                           |          |
|---------------------------|---------|---------------------------|----------|
| Voltage type:             | AC/DC   | Input voltage [V AC]:     | 220/240  |
| Input frequency [Hz]:     | 0/50/60 | Power factor / COS Φ:     | >0.9     |
| Input voltage [V DC]:     | 186/250 | Inrush current [A/μs]:    | 21 / 220 |
| C10 1.5 mm <sup>2</sup> : | 21      | C16 2.5 mm <sup>2</sup> : | 43       |
| B10 1.5 mm <sup>2</sup> : | 15      | B16 2.5 mm <sup>2</sup> : | 24       |

## Installation

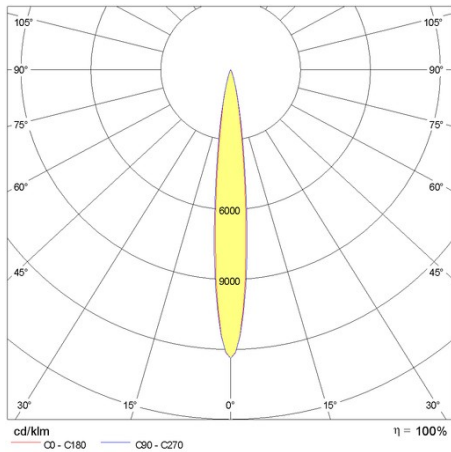
|                                |                  |                                |             |
|--------------------------------|------------------|--------------------------------|-------------|
| Application area:              | Outdoor lighting | Mounting type:                 | Inground    |
| Min. ambient temperature [°C]: | -20              | Max. ambient temperature [°C]: | 35          |
| Glass temperature [°C]:        | 52               | Ingrounds classification:      | A1 A2 A3 A4 |

## Light features

|                                 |        |                    |               |
|---------------------------------|--------|--------------------|---------------|
| MacAdam:                        | 3      | Lumen maintenance: | L80B10@60000h |
| Distribution of light emission: | Direct |                    |               |

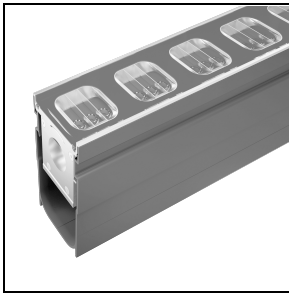
To maintain the regular updating of our products, PERFORMANCE IN LIGHTING reserves the right to make changes without prior notice. For the most up to date information we always recommend you read the latest version published on the website [www.performanceinlighting.com](http://www.performanceinlighting.com). Delivered luminaire lumen outputs and power consumptions, including losses, are subject to a tolerance of +/- 7%, and unless otherwise stated the values apply to an ambient temperature of 25°C. Terms of warranty are available at <https://www.performanceinlighting.com/qr/company/led-warranty>

## Photometric data



## Mandatory accessories

### TRACCIA

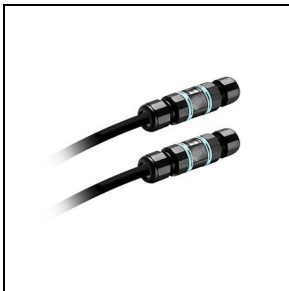


**310526**

Recessed fixing Kit Traccia L1000

## Optional accessories

### TRACCIA



**310569**

Wire for continuous power supply  
3x1.5 mm