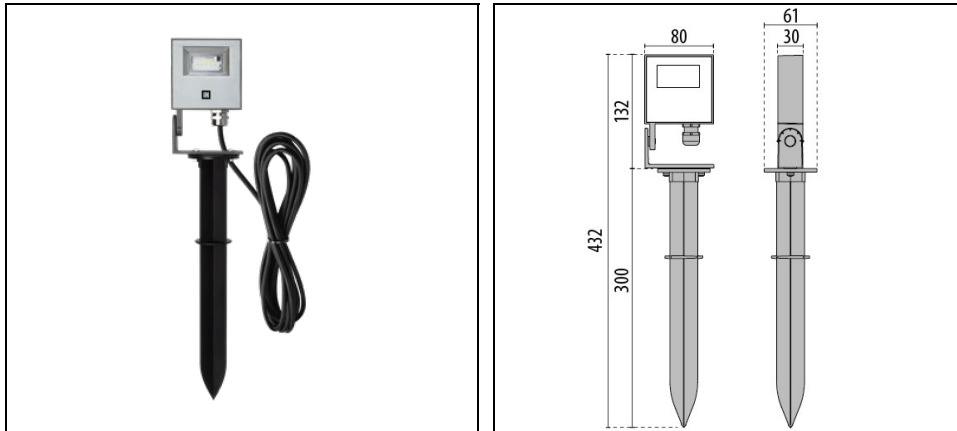


# FOCUS+ ZERO KIT S/EW

Part number 305508



## Description

LED floodlight for indoor and outdoor, comprising:

- Polyester powder coat finish, die-cast aluminium housing, in compact size
- Extra-clear, toughened, flat glass diffuser, silk-screened on the inside
- Aluminium reflector
- Waterproof cable gland M16x1.5 for cables  $\varnothing$  5-  $\varnothing$  10 mm
- Driver On Board 220-240V 50/60Hz LED module protected against surges up to 500 V
- Stainless steel locking hardware
- Adjustable mounting bracket made of die-cast aluminium, painted
- Complete with 3 m cable H05RN-F 3G1 mm<sup>2</sup>
- Technopolymer ground spike available for anchoring to the ground

To maintain the regular updating of our products, PERFORMANCE iN LIGHTING reserves the right to make changes without prior notice. For the most up to date information we always recommend you read the latest version published on the website [www.performanceinlighting.com](http://www.performanceinlighting.com). Delivered luminaire lumen outputs and power consumptions, including losses, are subject to a tolerance of +/- 7%, and unless otherwise stated the values apply to an ambient temperature of 25°C. Terms of warranty are available at <https://www.performanceinlighting.com/qr/company/led-warranty>

## Product data

ETIM Group:	EG000027	ETIM Class:	EC001744
-------------	----------	-------------	----------

## General information

Lampholder:	LED	Light source:	LED
Lightsource lumen output [lm]:	1350	Luminaire lumen output [lm]:	1009.33
Luminaire wattage [W]:	9.5 W	Luminous efficacy [lm/W]:	106
CRI:	80	Colour temperature [K]:	3000
Colour / Finishing:	AN-g6 / Anthracite gray / Textured	IP degree of protection:	IP65
Impact resistance / impact energy:	IK06 1J xx3	Protection class:	I
Optic:	S/EW - Symmetric Extra-Wide	Net weight [kg]:	0.693
Overall length [mm]:	80	Overall width [mm]:	132
Overall height [mm]:	30		

## Mechanical features

Shape:	Square $\leq$ 150 mm	Housing material:	Aluminium
Diffuser material:	Glass	Top exposed area [m <sup>2</sup> ]:	0.01

## Electrical features

Voltage type:	AC	Input voltage [V AC]:	220/240
Input frequency [Hz]:	50/60	Power factor / COS $\Phi$ :	>0.9
Inrush current [A/ $\mu$ s]:	3 / 135	C10 1.5 mm <sup>2</sup> :	66
C16 2.5 mm <sup>2</sup> :	86	B10 1.5 mm <sup>2</sup> :	41
B16 2.5 mm <sup>2</sup> :	66		

## Installation

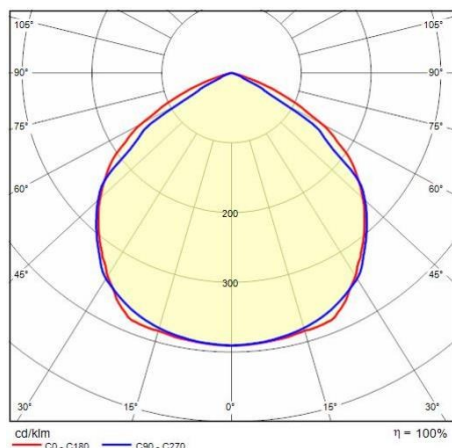
Application area:	Outdoor lighting	Mounting type:	Architectural floodlight
Min. ambient temperature [°C]:	-20	Max. ambient temperature [°C]:	40
Min. distance from lighted object [m]:	0.10		

## Light features

MacAdam:	3	Lumen maintenance:	L80B10@66800h
Distribution of light emission:	Direct	Zero light pollution (ULR = 0%):	

## Photometric data

---



To maintain the regular updating of our products, PERFORMANCE iN LIGHTING reserves the right to make changes without prior notice. For the most up to date information we always recommend you read the latest version published on the website [www.performanceinlighting.com](http://www.performanceinlighting.com). Delivered luminaire lumen outputs and power consumptions, including losses, are subject to a tolerance of +/- 7%, and unless otherwise stated the values apply to an ambient temperature of 25°C. Terms of warranty are available at <https://www.performanceinlighting.com/qr/company/led-warranty>