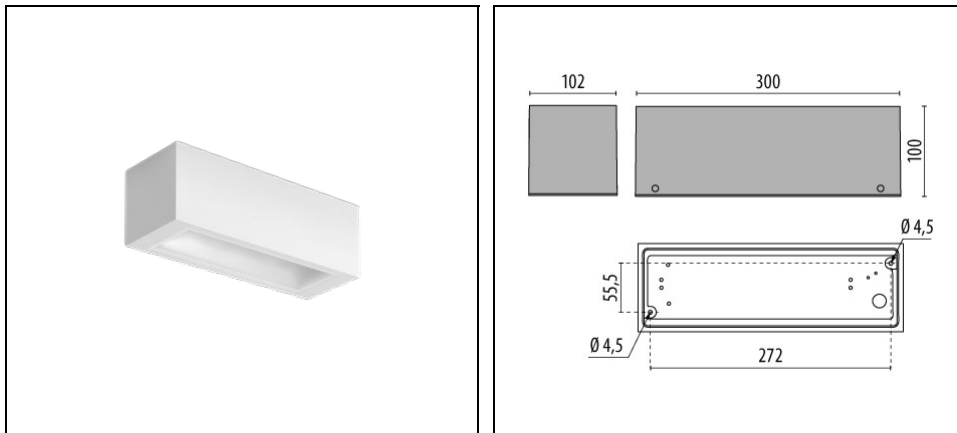


# QUASAR 30 CEILING TECH

Part number 306174



## Description

Ceiling surface mounted LED luminaire, comprising:

- Die-cast aluminium housing, polyester powder coat finish ISO 9227/12944 - ISO 9223 (C5)
- Microprismatic, toughened, flat glass diffuser, silk-screened on the inside (TECH versions)
- Satin finish pure aluminium reflector (Al 99.98)
- Anti-ageing custom moulded silicone sealing gasket(s)
- Built-in driver
- Openable and maintainable luminaire (future-proof)

To maintain the regular updating of our products, PERFORMANCE IN LIGHTING reserves the right to make changes without prior notice. For the most up to date information we always recommend you read the latest version published on the website [www.performanceinlighting.com](http://www.performanceinlighting.com). Delivered luminaire lumen outputs and power consumptions, including losses, are subject to a tolerance of +/- 7%, and unless otherwise stated the values apply to an ambient temperature of 25°C. Terms of warranty are available at <https://www.performanceinlighting.com/qr/company/led-warranty>

## Product data

ETIM Group:	EG000027	ETIM Class:	EC002892
-------------	----------	-------------	----------

## General information

Lampholder:	LED	Light source:	LED
Lightsource lumen output [lm]:	2384	Luminaire lumen output [lm]:	1652
Luminaire wattage [W]:	20 W	Luminous efficacy [lm/W]:	83
CRI:	80	Colour temperature [K]:	4000
Colour / Finishing:	WH-87 / White / Textured	IP degree of protection:	IP65
Impact resistance / impact energy:	IK07 2J xx5	Protection class:	I
Optic:	S/I - Symmetric Intensive	Net weight [kg]:	2.605
Overall length [mm]:	300	Overall width [mm]:	102
Overall height [mm]:	100		

## Mechanical features

Shape:	Rectangular	Housing material:	Aluminium
Diffuser material:	Glass		

## Electrical features

Voltage type:	AC	Input voltage [V AC]:	220/240
Input frequency [Hz]:	50/60	Power factor / COS $\Phi$ :	>0.9
Inrush current [A/ $\mu$ s]:	4 / 50	C10 1.5 mm <sup>2</sup> :	57
C16 2.5 mm <sup>2</sup> :	91	B10 1.5 mm <sup>2</sup> :	38
B16 2.5 mm <sup>2</sup> :	60		

## Installation

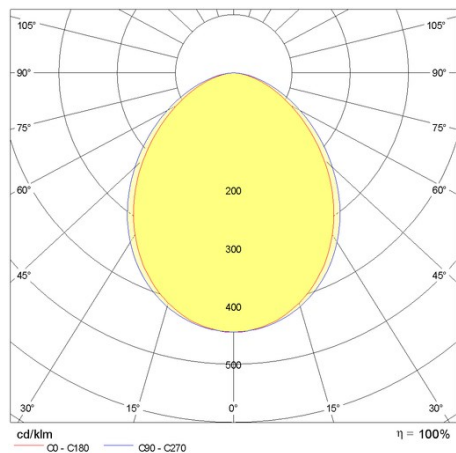
Application area:	Outdoor lighting	Mounting type:	Exterior ceiling
Min. ambient temperature [°C]:	-20	Max. ambient temperature [°C]:	35

## Light features

MacAdam:	3	Lumen maintenance:	L80B10@50000h
Distribution of light emission:	Direct	Zero light pollution (ULR = 0%):	

## Photometric data

---



To maintain the regular updating of our products, PERFORMANCE IN LIGHTING reserves the right to make changes without prior notice. For the most up to date information we always recommend you read the latest version published on the website [www.performanceinlighting.com](http://www.performanceinlighting.com). Delivered luminaire lumen outputs and power consumptions, including losses, are subject to a tolerance of +/- 7%, and unless otherwise stated the values apply to an ambient temperature of 25°C. Terms of warranty are available at <https://www.performanceinlighting.com/qr/company/led-warranty>