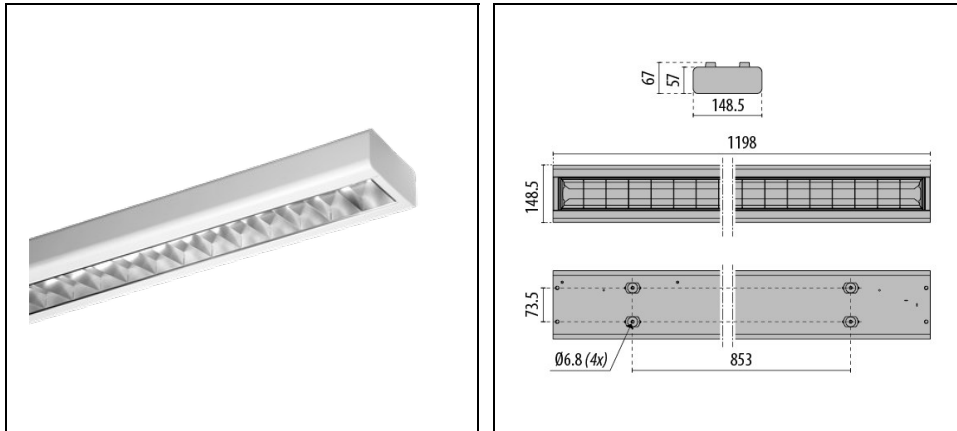


RONDA+ LED 1X

Part number 3100084



Description

Ceiling mounted LED luminaire with satin louvre, suitable for lighting offices, conference rooms and commercial complexes, comprising:

- Polyester powder coat finish steel sheet housing
- Satin aluminium louvre attached by four concealed spring fixings
- Louvre remains attached to the housing during lamp replacement
- Built-in driver

To maintain the regular updating of our products, PERFORMANCE IN LIGHTING reserves the right to make changes without prior notice. For the most up to date information we always recommend you read the latest version published on the website www.performanceinlighting.com. Delivered luminaire lumen outputs and power consumptions, including losses, are subject to a tolerance of +/- 7%, and unless otherwise stated the values apply to an ambient temperature of 25°C. Terms of warranty are available at <https://www.performanceinlighting.com/qr/company/led-warranty>

Product data

ETIM Group:	EG000027	ETIM Class:	EC002892
-------------	----------	-------------	----------

General information

Lampholder:	LED	Light source:	LED
Luminaire lumen output [lm]:	1900	Luminaire wattage [W]:	19 W
Luminous efficacy [lm/W]:	100	CRI:	80
Colour temperature [K]:	4000	Colour / Finishing:	WH-87 / White / Textured
IP degree of protection:	IP20	Impact resistance / impact energy:	IK07 2J xx5
Protection class:	I	Optic:	S/W - Symmetric Wide
Net weight [kg]:	2.499	Overall length [mm]:	1198
Overall width [mm]:	149	Overall height [mm]:	57

Mechanical features

Shape:	Rectangular	Housing material:	Aluminium
Diffuser material:	Transparent plastic		

Electrical features

Voltage type:	AC	Input voltage [V AC]:	220/240
Input frequency [Hz]:	50/60	Power factor / COS Φ :	>0.9
Inrush current [A/ μ s]:	25 / 250	C10 1.5 mm ² :	27
C16 2.5 mm ² :	45	B10 1.5 mm ² :	16
B16 2.5 mm ² :	27		

Installation

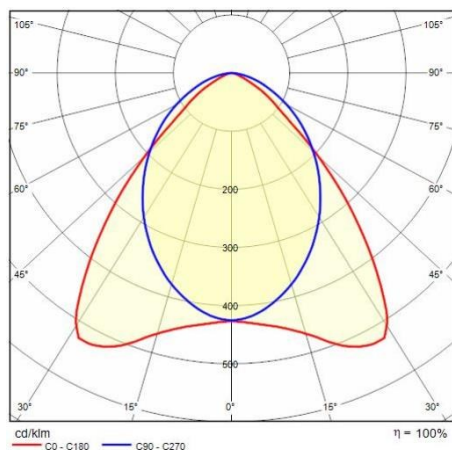
Application area:	Indoor lighting	Mounting type:	Wall and ceiling surface
Min. ambient temperature [°C]:	0		

Light features

MacAdam:	5	Lumen maintenance:	L80B10@50000h
Distribution of light emission:	Direct	DFF - Downward Flux Fraction [%]:	100
UFF - Upward Flux Fraction [%]:	0	UGR max.:	18.8

To maintain the regular updating of our products, PERFORMANCE IN LIGHTING reserves the right to make changes without prior notice. For the most up to date information we always recommend you read the latest version published on the website www.performanceinlighting.com. Delivered luminaire lumen outputs and power consumptions, including losses, are subject to a tolerance of +/- 7%, and unless otherwise stated the values apply to an ambient temperature of 25°C. Terms of warranty are available at <https://www.performanceinlighting.com/qr/company/led-warranty>

Photometric data



To maintain the regular updating of our products, PERFORMANCE IN LIGHTING reserves the right to make changes without prior notice. For the most up to date information we always recommend you read the latest version published on the website www.performanceinlighting.com. Delivered luminaire lumen outputs and power consumptions, including losses, are subject to a tolerance of +/- 7%, and unless otherwise stated the values apply to an ambient temperature of 25°C. Terms of warranty are available at <https://www.performanceinlighting.com/qr/company/led-warranty>