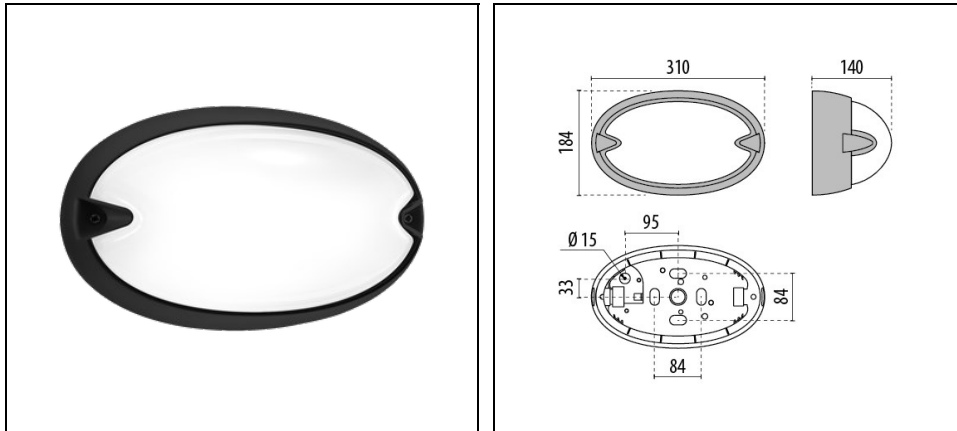


# CHIP OVALE 30 LED

Part number 3100151



## Description

Wall, ceiling, bracket and post mounted luminaire for indoor and outdoor, comprising:

- Technopolymer housing, trim or screen
- Pressed glass diffuser, internally coated
- Anti-ageing custom moulded silicone sealing gasket(s)
- Stainless steel locking hardware
- Built-in driver
- Side entry for 20 mm conduits (drill out holes in housing arrangement)
- Anti-tampering screws available upon request
- Design by ROBERTO FIORATO
- Design by ROBERTO FIORATO

To maintain the regular updating of our products, PERFORMANCE IN LIGHTING reserves the right to make changes without prior notice. For the most up to date information we always recommend you read the latest version published on the website [www.performanceinlighting.com](http://www.performanceinlighting.com). Delivered luminaire lumen outputs and power consumptions, including losses, are subject to a tolerance of +/- 7%, and unless otherwise stated the values apply to an ambient temperature of 25°C. Terms of warranty are available at <https://www.performanceinlighting.com/qr/company/led-warranty>

## Product data

|             |          |             |          |
|-------------|----------|-------------|----------|
| ETIM Group: | EG000027 | ETIM Class: | EC002892 |
|-------------|----------|-------------|----------|

## General information

|                                    |                             |                              |       |
|------------------------------------|-----------------------------|------------------------------|-------|
| Lampholder:                        | LED                         | Light source:                | LED   |
| Lightsource lumen output [lm]:     | 1736                        | Luminaire lumen output [lm]: | 994   |
| Luminaire wattage [W]:             | 11.5 W                      | Luminous efficacy [lm/W]:    | 86    |
| CRI:                               | 80                          | Colour temperature [K]:      | 3000  |
| Colour / Finishing:                | BK-81 / Black / Textured    | IP degree of protection:     | IP55  |
| Impact resistance / impact energy: | IK06 1J xx3                 | Protection class:            | I     |
| Optic:                             | S/EW - Symmetric Extra-Wide | Net weight [kg]:             | 1.514 |
| Overall length [mm]:               | 310                         | Overall width [mm]:          | 140   |
| Overall height [mm]:               | 184                         |                              |       |

## Mechanical features

|                    |       |                      |         |
|--------------------|-------|----------------------|---------|
| Shape:             | Oval  | Housing material:    | Plastic |
| Diffuser material: | Glass | Glow wire test [°C]: | 750 °C  |

## Electrical features

|                           |         |                                 |          |
|---------------------------|---------|---------------------------------|----------|
| Voltage type:             | AC/DC   | Input voltage [V AC]:           | 220/240  |
| Input frequency [Hz]:     | 0/50/60 | Power factor / COS Φ:           | >0.9     |
| Input voltage [V DC]:     | 170/280 | Surge protection   Common [kV]: | 4.000000 |
| Inrush current [A/μs]:    | 5 / 50  | C10 1.5 mm <sup>2</sup> :       | 52       |
| C16 2.5 mm <sup>2</sup> : | 85      | B10 1.5 mm <sup>2</sup> :       | 31       |
| B16 2.5 mm <sup>2</sup> : | 50      |                                 |          |

## Installation

|                                |                  |                                |          |
|--------------------------------|------------------|--------------------------------|----------|
| Application area:              | Outdoor lighting | Mounting type:                 | Bulkhead |
| Min. ambient temperature [°C]: | -20              | Max. ambient temperature [°C]: | 25       |

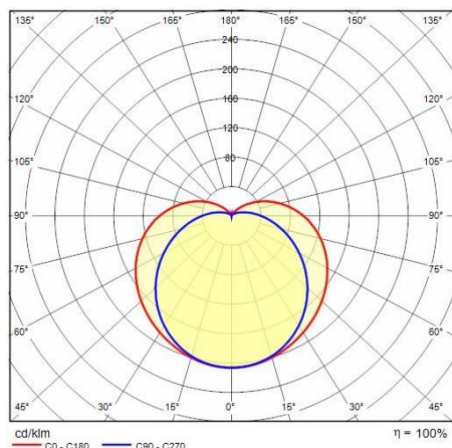
## Light features

|                                 |        |                    |               |
|---------------------------------|--------|--------------------|---------------|
| MacAdam:                        | 3      | Lumen maintenance: | L80B10@60000h |
| Distribution of light emission: | Direct |                    |               |

To maintain the regular updating of our products, PERFORMANCE iN LIGHTING reserves the right to make changes without prior notice. For the most up to date information we always recommend you read the latest version published on the website [www.performanceinlighting.com](http://www.performanceinlighting.com). Delivered luminaire lumen outputs and power consumptions, including losses, are subject to a tolerance of +/- 7%, and unless otherwise stated the values apply to an ambient temperature of 25°C. Terms of warranty are available at <https://www.performanceinlighting.com/qr/company/led-warranty>

## Photometric data

---



To maintain the regular updating of our products, PERFORMANCE IN LIGHTING reserves the right to make changes without prior notice. For the most up to date information we always recommend you read the latest version published on the website [www.performanceinlighting.com](http://www.performanceinlighting.com). Delivered luminaire lumen outputs and power consumptions, including losses, are subject to a tolerance of +/- 7%, and unless otherwise stated the values apply to an ambient temperature of 25°C. Terms of warranty are available at <https://www.performanceinlighting.com/qr/company/led-warranty>