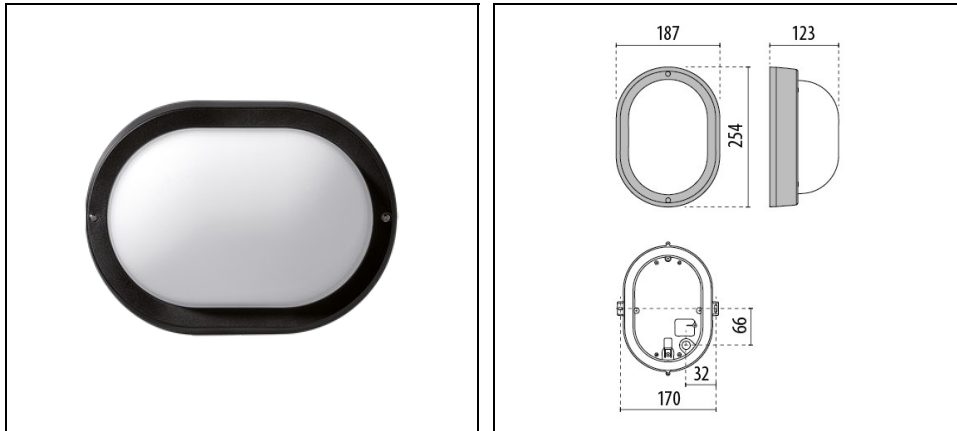


# EKO 19

Part number 3100200



## Description

Indoor and outdoor wall-mount luminaire, comprising:

- Technopolymer housing, trim or screen
- Pressed glass diffuser, internally coated
- Stainless steel locking hardware
- Anti-tampering locking kit available as accessory
- All versions are available with polycarbonate diffuser IK10 upon request
- Integral, tiltable, self-heat dissipating, Metal-Core SMD LED board (future proof)
- Built-in driver
- Design by ROBERTO FIORATO
- Design by ROBERTO FIORATO

To maintain the regular updating of our products, PERFORMANCE IN LIGHTING reserves the right to make changes without prior notice. For the most up to date information we always recommend you read the latest version published on the website [www.performanceinlighting.com](http://www.performanceinlighting.com). Delivered luminaire lumen outputs and power consumptions, including losses, are subject to a tolerance of +/- 7%, and unless otherwise stated the values apply to an ambient temperature of 25°C. Terms of warranty are available at <https://www.performanceinlighting.com/qr/company/led-warranty>

## Product data

ETIM Group:	EG000027	ETIM Class:	EC002892
-------------	----------	-------------	----------

## General information

Lampholder:	LED	Light source:	LED
Lightsource lumen output [lm]:	868	Luminaire lumen output [lm]:	609
Luminaire wattage [W]:	6.5 W	Luminous efficacy [lm/W]:	94
CRI:	80	Colour temperature [K]:	3000
Colour / Finishing:	BK-81 / Black / Textured	IP degree of protection:	IP44
Impact resistance / impact energy:	IK06 1J xx3	Protection class:	I
Optic:	S/EW - Symmetric Extra-Wide	Net weight [kg]:	1.142
Overall length [mm]:	254	Overall width [mm]:	123
Overall height [mm]:	187		

## Mechanical features

Shape:	Oval	Housing material:	Plastic
Diffuser material:	Glass	Glow wire test [°C]:	750 °C

## Electrical features

Voltage type:	AC/DC	Input voltage [V AC]:	220/240
Input frequency [Hz]:	0/50/60	Power factor / COS Φ:	>0.9
Input voltage [V DC]:	170/280	Surge protection   Common [kV]:	4.000000
Inrush current [A/μs]:	5 / 50	C10 1.5 mm <sup>2</sup> :	52
C16 2.5 mm <sup>2</sup> :	85	B10 1.5 mm <sup>2</sup> :	31
B16 2.5 mm <sup>2</sup> :	50		

## Installation

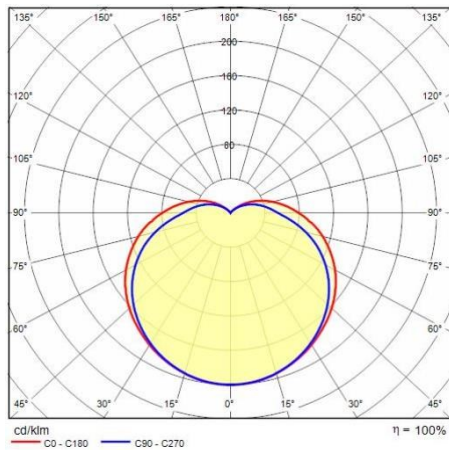
Application area:	Outdoor lighting	Mounting type:	Bulkhead
Min. ambient temperature [°C]:	-20	Max. ambient temperature [°C]:	35

## Light features

MacAdam:	3	Lumen maintenance:	L80B10@60000h
Distribution of light emission:	Direct		

To maintain the regular updating of our products, PERFORMANCE IN LIGHTING reserves the right to make changes without prior notice. For the most up to date information we always recommend you read the latest version published on the website [www.performanceinlighting.com](http://www.performanceinlighting.com). Delivered luminaire lumen outputs and power consumptions, including losses, are subject to a tolerance of +/- 7%, and unless otherwise stated the values apply to an ambient temperature of 25°C. Terms of warranty are available at <https://www.performanceinlighting.com/qr/company/led-warranty>

## Photometric data



## Optional accessories

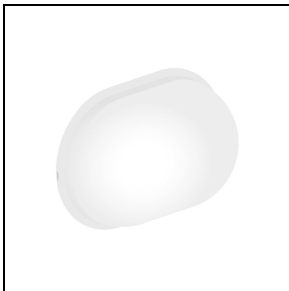
### EKO 19



**310176**  
Anti-tamper



**310177**  
Anti-tamper



**310310**  
Diffuser pc EKO 19