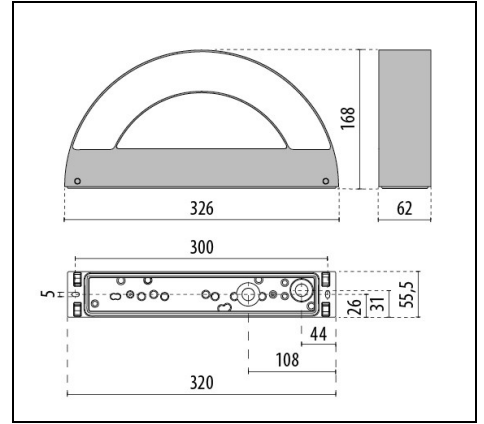
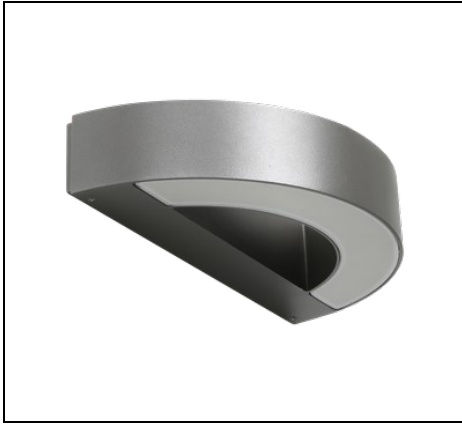


MASK+ M

Part number 3100765



Description

Wall-mounted LED luminaire, comprising:

- Die-cast aluminium housing, polyester powder coat finish ISO 9227/12944 - ISO 9223 (C5)
- Toughened flat glass diffuser, internally coated, for homogeneous light distribution
- Anti-ageing custom moulded silicone sealing gasket(s)
- Single (M) and dual (B) emission versions available
- Single emission models suitable for either upwards or downwards mounting (M options)
- Built-in driver
- Stainless steel locking hardware
- EM/1P are maintained emergency versions (1h)
- Dimmable DALI options available. Consult factory
- Design by ROBERTO FIORATO
- Design by ROBERTO FIORATO

Product data

ETIM Group:	EG000027	ETIM Class:	EC001745
-------------	----------	-------------	----------

General information

Lampholder:	LED	Light source:	LED
Lightsource lumen output [lm]:	1668	Luminaire lumen output [lm]:	971
Luminaire wattage [W]:	12,5 W	Luminous efficacy [lm/W]:	78
CRI:	80	Colour temperature [K]:	4000
Colour / Finishing:	AN-g6 / Anthracite gray / Textured	IP degree of protection:	IP65
Impact resistance / impact energy:	IK06 1J xx3	Protection class:	I
Optic:	S/EW - Symmetric Extra-Wide	Net weight [kg]:	2,38
Overall length [mm]:	326	Overall width [mm]:	168
Overall height [mm]:	62		

Mechanical features

Shape:	Rectangular	Housing material:	Aluminium
Diffuser material:	Glass	Glow wire test [°C]:	750 °C

Electrical features

Voltage type:	AC	Input voltage [V AC]:	100/277
Input frequency [Hz]:	50/60	Power factor / COS Φ:	>0.9
Inrush current [A/μs]:	17 / 35	C10 1.5 mm ² :	28
C16 2.5 mm ² :	46	B10 1.5 mm ² :	28
B16 2.5 mm ² :	46		

Installation

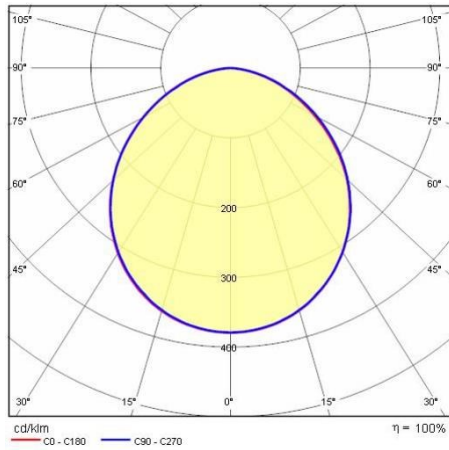
Application area:	Outdoor lighting	Mounting type:	Exterior wall
Min. ambient temperature [°C]:	-20	Max. ambient temperature [°C]:	35

Light features

MacAdam:	3	Lumen maintenance:	L70B10@50000h
Distribution of light emission:	Direct	Zero light pollution (ULR = 0%):	

To maintain the regular updating of our products, PERFORMANCE IN LIGHTING reserves the right to make changes without prior notice. For the most up to date information we always recommend you read the latest version published on the website www.performanceinlighting.com. Delivered luminaire lumen outputs and power consumptions, including losses, are subject to a tolerance of +/- 7%, and unless otherwise stated the values apply to an ambient temperature of 25°C. Terms of warranty are available at <https://www.performanceinlighting.com/qr/company/led-warranty>

Photometric data



To maintain the regular updating of our products, PERFORMANCE iN LIGHTING reserves the right to make changes without prior notice. For the most up to date information we always recommend you read the latest version published on the website www.performanceinlighting.com. Delivered luminaire lumen outputs and power consumptions, including losses, are subject to a tolerance of +/- 7%, and unless otherwise stated the values apply to an ambient temperature of 25°C. Terms of warranty are available at <https://www.performanceinlighting.com/qr/company/led-warranty>