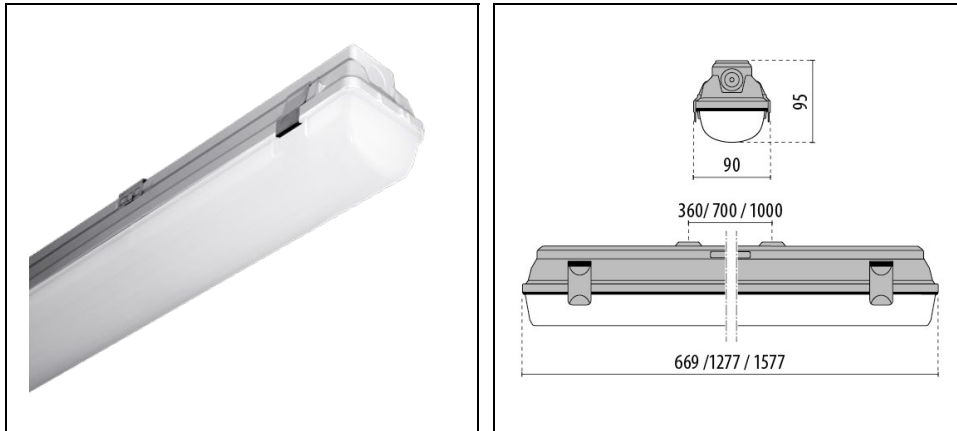


ACRO+ EQ158

Part number 3103928



Description

Weatherproof LED luminaire, comprising:

- Fibreglass reinforced polyester housing
- Opal PMMA diffuser for optimal light distribution and uniformity
- Anti-ageing custom moulded silicone sealing gasket(s)
- 4000K multi-chip LED board
- Stainless steel retaining clips
- Quick ceiling fixing bracket (stainless steel)
- Integral Dip-Switches to select one of four power levels, which can be field adjusted (MULTIPOWER models)
- Suitable for extreme operating temp. conditions , -40°C (EXTREME options only)
- Emergency and extreme versions have a polycarbonate diffuser, 850°C glow wire

To maintain the regular updating of our products, PERFORMANCE IN LIGHTING reserves the right to make changes without prior notice. For the most up to date information we always recommend you read the latest version published on the website www.performanceinlighting.com. Delivered luminaire lumen outputs and power consumptions, including losses, are subject to a tolerance of +/- 7%, and unless otherwise stated the values apply to an ambient temperature of 25°C. Terms of warranty are available at <https://www.performanceinlighting.com/qr/company/led-warranty>

Product data

| | | | |
|-------------|----------|-------------|----------|
| ETIM Group: | EG000027 | ETIM Class: | EC002892 |
|-------------|----------|-------------|----------|

General information

| | | | |
|------------------------------|------|------------------------------------|----------------------------------|
| Lampholder: | LED | Light source: | LED |
| Luminaire lumen output [lm]: | 4100 | Luminaire wattage [W]: | 33 W |
| Luminous efficacy [lm/W]: | 124 | CRI: | 80 |
| Colour temperature [K]: | 4000 | Colour / Finishing: | GR-RAL7035 / Grey RAL7035 / Matt |
| IP degree of protection: | IP66 | Impact resistance / impact energy: | IK03 0.35J xx1 |
| Protection class: | I | Optic: | S/EW - Symmetric Extra-Wide |
| Net weight [kg]: | 2.2 | Overall length [mm]: | 1577 |
| Overall width [mm]: | 90 | Overall height [mm]: | 95 |

Mechanical features

| | | | |
|--------------------|-------------|----------------------|---------|
| Shape: | Rectangular | Housing material: | Plastic |
| Diffuser material: | Plastic | Glow wire test [°C]: | 650 °C |

Electrical features

| | | | |
|---------------------------|---------|---------------------------|----------|
| Voltage type: | AC/DC | Input voltage [V AC]: | 220/240 |
| Input frequency [Hz]: | 0/50/60 | Power factor / COS Φ: | >0.9 |
| Input voltage [V DC]: | 176/276 | Inrush current [A/μs]: | 24 / 220 |
| C10 1.5 mm ² : | 28 | C16 2.5 mm ² : | 47 |
| B10 1.5 mm ² : | 17 | B16 2.5 mm ² : | 28 |

Installation

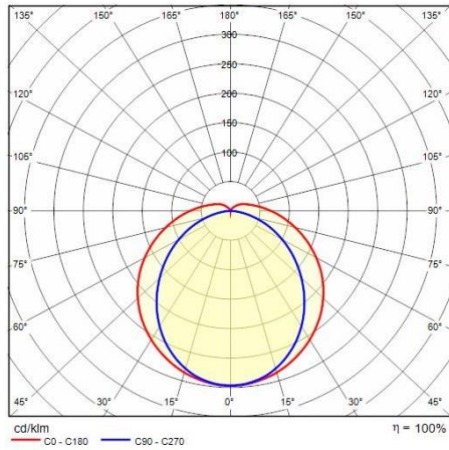
| | | | |
|--------------------------------|-----------------|--------------------------------|------------|
| Application area: | Indoor lighting | Mounting type: | Waterproof |
| Min. ambient temperature [°C]: | -15 | Max. ambient temperature [°C]: | 40 |

Light features

| | | | |
|---------------------------------|--------|--------------------|---------------|
| MacAdam: | 3 | Lumen maintenance: | L70B50@60000h |
| Distribution of light emission: | Direct | UGR max.: | 18.7 |

To maintain the regular updating of our products, PERFORMANCE iN LIGHTING reserves the right to make changes without prior notice. For the most up to date information we always recommend you read the latest version published on the website www.performanceinlighting.com. Delivered luminaire lumen outputs and power consumptions, including losses, are subject to a tolerance of +/- 7%, and unless otherwise stated the values apply to an ambient temperature of 25°C. Terms of warranty are available at <https://www.performanceinlighting.com/qr/company/led-warranty>

Photometric data



To maintain the regular updating of our products, PERFORMANCE IN LIGHTING reserves the right to make changes without prior notice. For the most up to date information we always recommend you read the latest version published on the website www.performanceinlighting.com. Delivered luminaire lumen outputs and power consumptions, including losses, are subject to a tolerance of +/- 7%, and unless otherwise stated the values apply to an ambient temperature of 25°C. Terms of warranty are available at <https://www.performanceinlighting.com/qr/company/led-warranty>

For information:
PERFORMANCE IN LIGHTING S.p.A. Headquarters - Italy
Viale del Lavoro 9/11
37030 Colognola ai Colli Verona - Italy
Tel. +39 045 61 59 211

info.it@pil.lighting
www.performanceinlighting.com