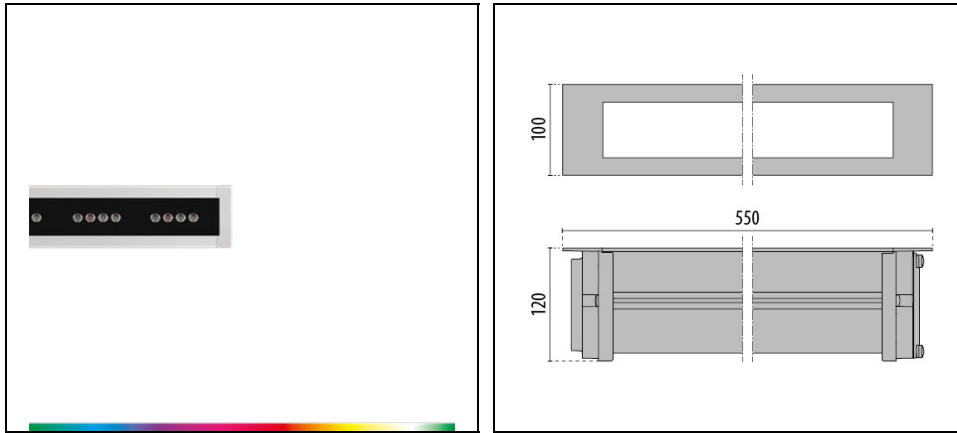


STRIP SQUARE+ INGROUND 550 RGBW

Part number 3109417



Description

- Extruded anodised aluminium housing
- Toughened, glass diffuser, silk-screened on the inside
- Coated die-cast aluminium end caps
- Anti-ageing custom moulded silicone sealing gasket(s)
- Complete with IP-rated through wiring connection box (WATER-STOP) for cables \varnothing 5 mm to \varnothing 13 mm
- Stainless steel locking hardware
- High heat-dissipating aluminium gear tray for increased inner components lifespan
- Built-in driver
- DMX signal generator for RGBW versions available (ordered separately)
- Recessed box to be ordered separately
- Through-wiring designed

Recessed inground luminaire for interior and outdoor use comprising:

Product data

ETIM Group:	EG000027	ETIM Class:	EC000758
-------------	----------	-------------	----------

General information

Lampholder:	LED	Light source:	LED
Lightsource lumen output [lm]:	1456	Luminaire lumen output [lm]:	855
Luminaire wattage [W]:	15 W	Luminous efficacy [lm/W]:	57
CRI:	80	Colour temperature [K]:	rgbw 2700
Colour / Finishing:	GR-11 / Anodised grey / Matt	IP degree of protection:	IP67
Impact resistance / impact energy:	IK10 20J xxg	Protection class:	III
Optic:	ELL - Elliptical	Beam angle:	15°x45°
Net weight [kg]:	2.468	Overall length [mm]:	550
Overall width [mm]:	100	Overall height [mm]:	72

Mechanical features

Shape:	Rectangular	Housing material:	Aluminium
Diffuser material:	Glass	Dinamic load [kg]:	7500
Speed [km/h]:	30	Static load [kg]:	2000
Shear load [kN]:	5	Resistance to torque [Nm]:	50

Electrical features

Voltage type:	DC	Power factor / COS Φ :	>0.9
Input voltage [V DC]:	48		

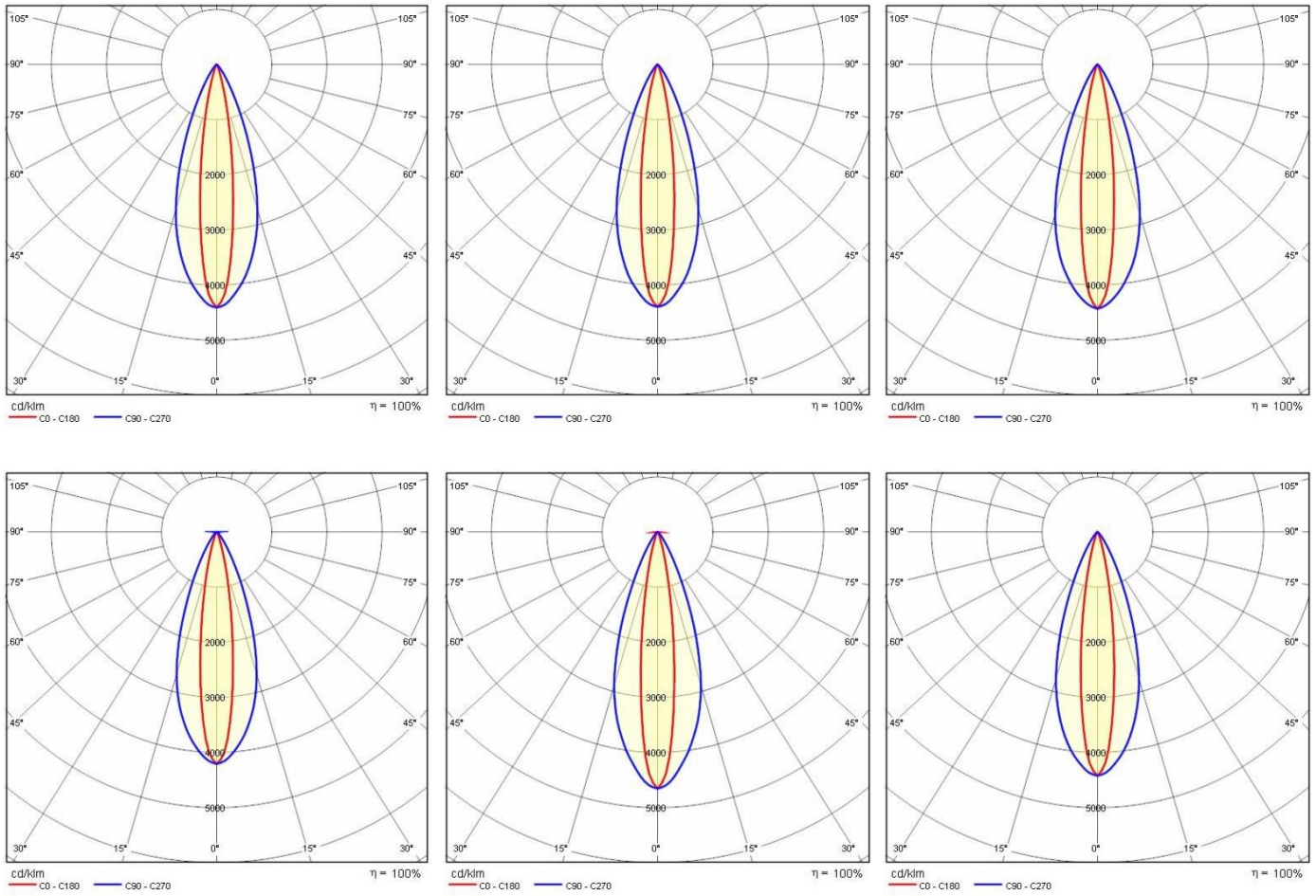
Installation

Application area:	Outdoor lighting	Mounting type:	Inground
Min. ambient temperature [°C]:	-10	Max. ambient temperature [°C]:	35
Glass temperature [°C]:	35	Ingrounds classification:	A1 A2 A3 A4 A5

Light features

MacAdam:	3	Lumen maintenance:	L80B10@60000h
----------	---	--------------------	---------------

Photometric data

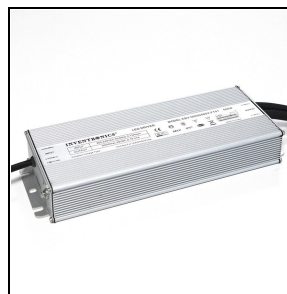


Control gear

STRIP SQUARE+ INGROUND



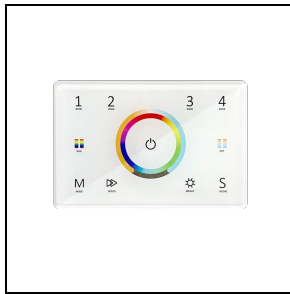
310950
Driver - CV 100 W - 48 V kit



310951
Driver - CV 500 W - 48 V kit

STRIP SQUARE+ INGROUND RGBW

To maintain the regular updating of our products, PERFORMANCE IN LIGHTING reserves the right to make changes without prior notice. For the most up to date information we always recommend you read the latest version published on the website www.performanceinlighting.com. Delivered luminaire lumen outputs and power consumptions, including losses, are subject to a tolerance of +/- 7%, and unless otherwise stated the values apply to an ambient temperature of 25°C. Terms of warranty are available at <https://www.performanceinlighting.com/qr/company/led-warranty>



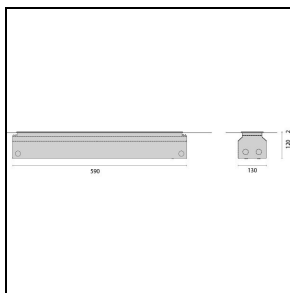
3117844
Controller DMX touch white
 WH-87 / White



3117845
Controller DMX touch black
 BK-81 / Black

Mandatory accessories

STRIP SQUARE+ INGROUND



310422
Recessed fixing kit L 590 mm

Optional accessories

STRIP SQUARE+ INGROUND RGBW



3109576
Box for RGBW continuous row