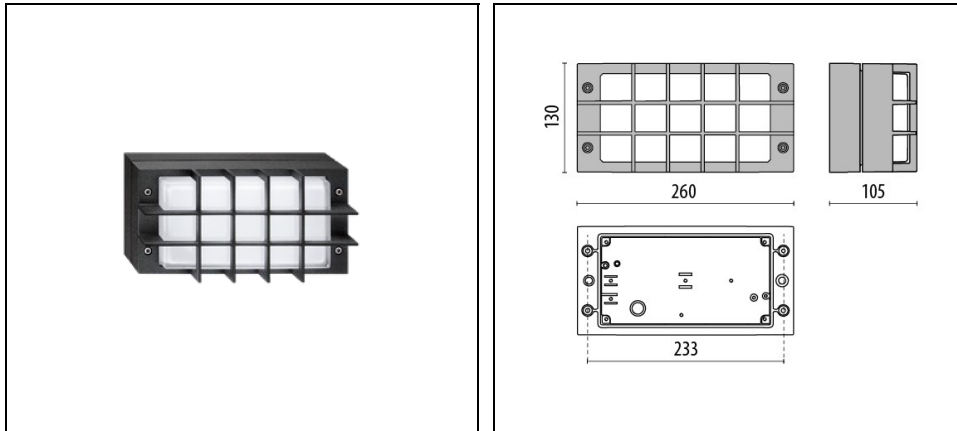


# BLIZ GUARD

Part number 700196



## Description

- Aluminium housing and guard (/G), polyester powder coat finish ISO 9227/12944 - ISO 9223 (C5)
- Glass diffuser
- EPDM sealing gasket
- Stainless steel locking hardware

To maintain the regular updating of our products, PERFORMANCE IN LIGHTING reserves the right to make changes without prior notice. For the most up to date information we always recommend you read the latest version published on the website [www.performanceinlighting.com](http://www.performanceinlighting.com). Delivered luminaire lumen outputs and power consumptions, including losses, are subject to a tolerance of +/- 7%, and unless otherwise stated the values apply to an ambient temperature of 25°C. Terms of warranty are available at <https://www.performanceinlighting.com/qr/company/led-warranty>

## Product data

ETIM Group:	EG000027	ETIM Class:	EC002892
-------------	----------	-------------	----------

## General information

Lampholder:	E27	Light source:	Incandescent lamps
Luminaire wattage [W]:	1x60 W	Colour / Finishing:	AN-g6 / Anthracite gray / Textured
IP degree of protection:	IP65	Impact resistance / impact energy:	IK07 2J xx5
Protection class:	I	Optic:	S/EW - Symmetric Extra-Wide
Net weight [kg]:	1.764	Overall length [mm]:	260
Overall width [mm]:	105	Overall height [mm]:	130

## Mechanical features

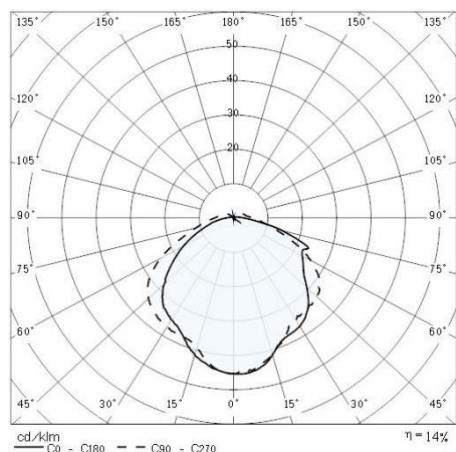
Shape:	Rectangular	Housing material:	Aluminium
Diffuser material:	Glass		

## Installation

Application area:	Outdoor lighting	Mounting type:	Bulkhead
Min. ambient temperature [°C]:	-30	Max. ambient temperature [°C]:	40

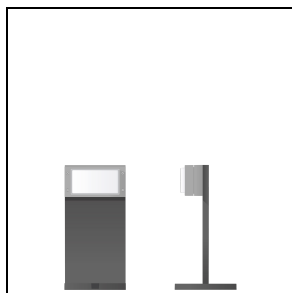
## Light features

## Photometric data



## Optional accessories

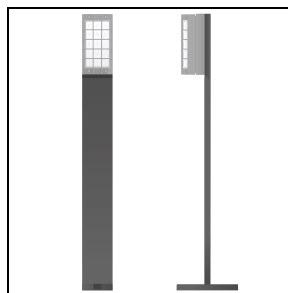
### BLIZ



**315028**

Post Bliz 530 mm

■ AN-g6 / Anthracite gray



**315026**

Post Bliz 1030 mm

■ AN-g6 / Anthracite gray