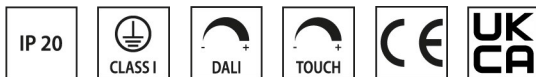
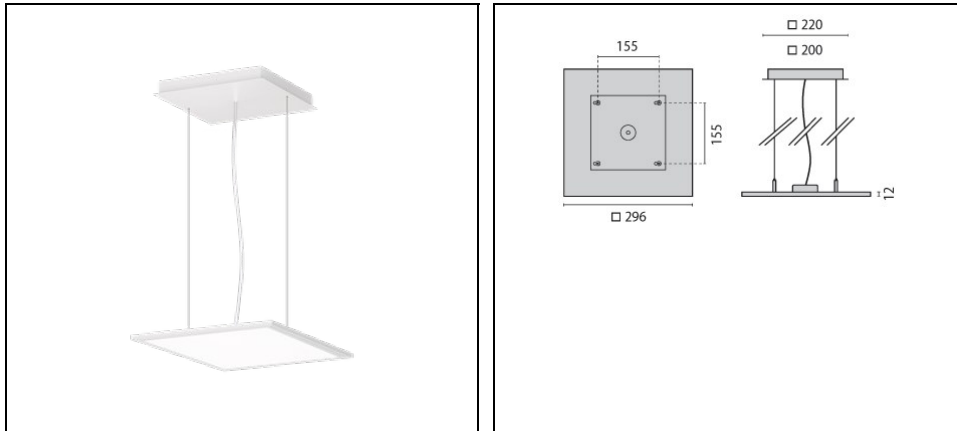


# FL SQUARE 300 PL OP

Part number 8300291236300



## Description

Suspended, square LED luminaire for indoor, comprising:

- Extruded aluminium housing profile, powder-coated
- LED Sidelight-Technology and light orienting plastic optic for a homogenous light distribution over the entire area of the diffuser
- Direct light distribution
- Colour tolerance according to MacAdam  $\leq 3$  SDCM
- Complete with steel suspension cable (1.5 m), transparent power cable and canopy
- Built-in driver
- DALI dimmable

To maintain the regular updating of our products, PERFORMANCE IN LIGHTING reserves the right to make changes without prior notice. For the most up to date information we always recommend you read the latest version published on the website [www.performanceinlighting.com](http://www.performanceinlighting.com). Delivered luminaire lumen outputs and power consumptions, including losses, are subject to a tolerance of +/- 7%, and unless otherwise stated the values apply to an ambient temperature of 25°C. Terms of warranty are available at <https://www.performanceinlighting.com/qr/company/led-warranty>

## Product data

ETIM Group:	EG000027	ETIM Class:	EC001743
-------------	----------	-------------	----------

## General information

Lampholder:	LED	Light source:	LED
Lightsource lumen output [lm]:	2900	Luminaire lumen output [lm]:	2200
Luminaire wattage [W]:	19 W	Luminous efficacy [lm/W]:	116
CRI:	80	Colour temperature [K]:	3000
Colour / Finishing:	WH-RAL9016 / White RAL9016 / Textured	IP degree of protection:	IP20
Impact resistance / impact energy:	IK06 1J xx3	Protection class:	I
Optic:	S/A - Symmetric direct	Beam angle:	2 x 56°
Net weight [kg]:	3.1	Overall length [mm]:	296
Overall width [mm]:	296	Overall height [mm]:	12

## Mechanical features

Shape:	Square 150 ≤ x ≤ 300 mm	Housing material:	Aluminium
Diffuser material:	Plastic	Glow wire test [°C]:	650 °C

## Electrical features

Voltage type:	AC/DC	Input voltage [V AC]:	220/240
Input frequency [Hz]:	220-240V 0/50/60Hz	Power factor / COS Φ:	0.9
EEL:	A1		

## Installation

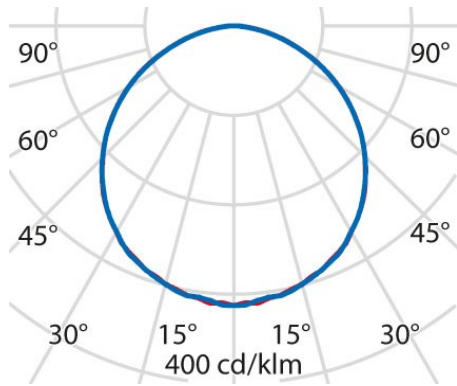
Application area:	Indoor lighting	Mounting type:	Suspended
Min. ambient temperature [°C]:	10	Max. ambient temperature [°C]:	40

## Light features

MacAdam:	3	Lumen maintenance:	L80B10@50000h
Distribution of light emission:	Direct	DFF - Downward Flux Fraction [%]:	100
UFF - Upward Flux Fraction [%]:	0		

To maintain the regular updating of our products, PERFORMANCE IN LIGHTING reserves the right to make changes without prior notice. For the most up to date information we always recommend you read the latest version published on the website [www.performanceinlighting.com](http://www.performanceinlighting.com). Delivered luminaire lumen outputs and power consumptions, including losses, are subject to a tolerance of +/- 7%, and unless otherwise stated the values apply to an ambient temperature of 25°C. Terms of warranty are available at <https://www.performanceinlighting.com/gr/company/led-warranty>

## Photometric data



## Optional accessories

### FL SQUARE PL



**3122584**  
Casambi module for installation



**3122586**  
Single wireless wall switch  
 WH-87 / White



**3122587**  
Double wireless wall switch  
 WH-87 / White