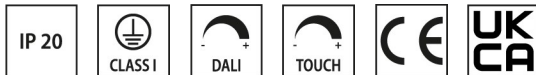
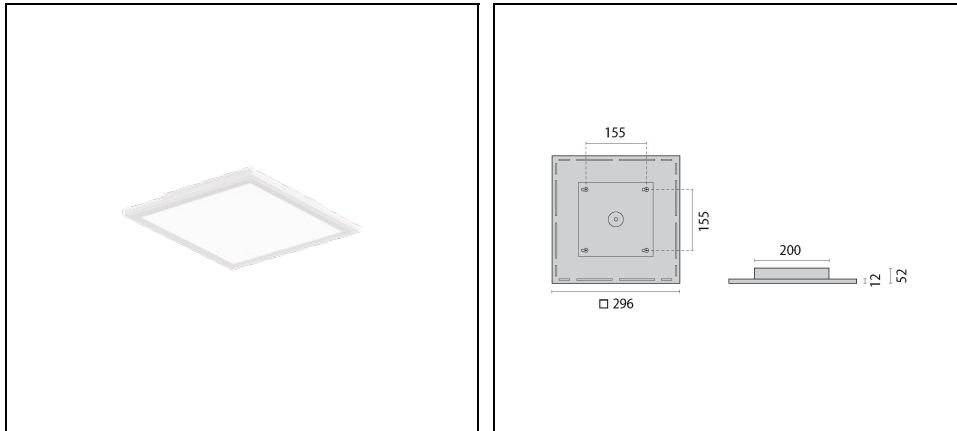


FL SQUARE 300 SM OP

Part number 8300691236300



Description

Surface-mounted quadratic LED luminaire for indoors, comprising of:

- Extruded aluminium housing profile, powder-coated
- LED Sidelight-Technology and light orienting plastic optic for a homogenous light distribution over the entire area of the diffuser
- Predominantly direct light distribution
- DALI dimmable
- Colour tolerance according to MacAdam ≤ 3 SDCM
- Built-in driver

To maintain the regular updating of our products, PERFORMANCE IN LIGHTING reserves the right to make changes without prior notice. For the most up to date information we always recommend you read the latest version published on the website www.performanceinlighting.com. Delivered luminaire lumen outputs and power consumptions, including losses, are subject to a tolerance of +/- 7%, and unless otherwise stated the values apply to an ambient temperature of 25°C. Terms of warranty are available at <https://www.performanceinlighting.com/qr/company/led-warranty>

Product data

ETIM Group:	EG000027	ETIM Class:	EC002892
-------------	----------	-------------	----------

General information

Lampholder:	LED	Light source:	LED
Lightsource lumen output [lm]:	2900	Luminaire lumen output [lm]:	2350
Luminaire wattage [W]:	19 W	Luminous efficacy [lm/W]:	124
CRI:	80	Colour temperature [K]:	3000
Colour / Finishing:	WH-RAL9016 / White RAL9016 / Textured	IP degree of protection:	IP20
Impact resistance / impact energy:	IK06 1J xx3	Protection class:	I
Optic:	S/B - Symmetric mainly direct	Beam angle:	2 x 57°
Net weight [kg]:	3.1	Overall length [mm]:	296
Overall width [mm]:	296	Overall height [mm]:	52

Mechanical features

Shape:	Square 150 ≤ x ≤ 300 mm	Housing material:	Aluminium
Diffuser material:	Plastic	Glow wire test [°C]:	650 °C

Electrical features

Voltage type:	AC/DC	Input voltage [V AC]:	220/240
Input frequency [Hz]:	220-240V 0/50/60Hz	Power factor / COS Φ:	0.9
EEL:	A1		

Installation

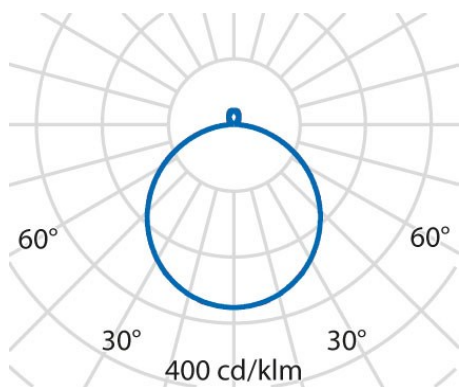
Application area:	Indoor lighting	Mounting type:	Wall and ceiling surface
Min. ambient temperature [°C]:	10	Max. ambient temperature [°C]:	40

Light features

MacAdam:	3	Lumen maintenance:	L80B10@50000h
Distribution of light emission:	Direct/Indirect	DFF - Downward Flux Fraction [%]:	95
UFF - Upward Flux Fraction [%]:	5		

To maintain the regular updating of our products, PERFORMANCE IN LIGHTING reserves the right to make changes without prior notice. For the most up to date information we always recommend you read the latest version published on the website www.performanceinlighting.com. Delivered luminaire lumen outputs and power consumptions, including losses, are subject to a tolerance of +/- 7%, and unless otherwise stated the values apply to an ambient temperature of 25°C. Terms of warranty are available at <https://www.performanceinlighting.com/qr/company/led-warranty>

Photometric data

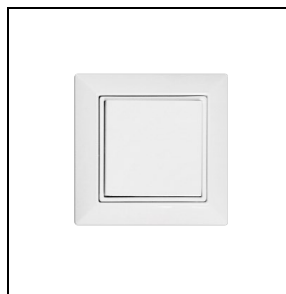


Optional accessories

FL SQUARE SM



3122584
Casambi module for installation



3122586
Single wireless wall switch
 WH-87 / White



3122587
Double wireless wall switch
 WH-87 / White