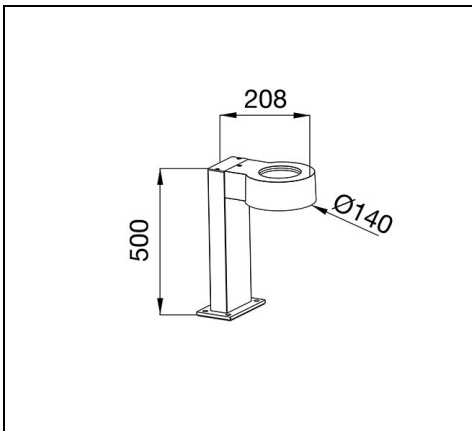


# ELIA BL M1 500

Part number GWF2300LR840



## Description

Die-cast aluminum luminaire for ground mounting, ideal for bollard lighting in residential areas and passageways

- Designed in two different sizes (500mm and 700mm) with opal diffusing polycarbonate diffuser with double high and low emission) to create a comfortable atmosphere, color temperatures 3,000K, 4,000K and 5,700K and a color rendering index greater than 80
- It has been designed to withstand temperature variations from -20 ° C to + 45 ° C, water and dust penetration up to IP65 degree and shocks up to IK08 degree
- ELIA BL is easy to install thanks to the ground anchoring system with 4 blocking plugs

## Product data

ETIM Group:	EG000027	ETIM Class:	EC000301
-------------	----------	-------------	----------

## General information

Lampholder:	LED	Light source:	LED
Luminaire lumen output [lm]:	650	Luminaire wattage [W]:	8 W
Luminous efficacy [lm/W]:	81	CRI:	80
Colour temperature [K]:	4000	Colour / Finishing:	BK-RAL9005 / Black RAL9005
IP degree of protection:	IP65	IK-J-xxIP:	IK08 5J xx5
Protection class:	I	Optic:	OPAL - Opal
Net weight [kg]:	1.962	Overall length [mm]:	208
Overall width [mm]:	140	Overall height [mm]:	500

## Mechanical features

Housing material:	Aluminium	Diffuser material:	Plastic
Glow wire test [°C]:	750 °C		

## Electrical features

Voltage type:	AC	Input voltage [V AC]:	100/240
Input frequency [Hz]:	50/60		

## Installation

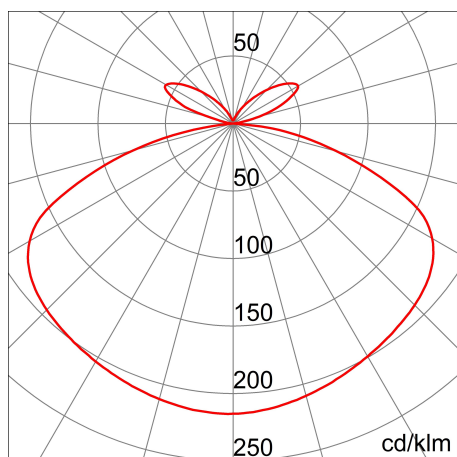
Application area:	Outdoor	Mounting type:	Bollards
Min. ambient temperature [°C]:	-20	Max. ambient temperature [°C]:	45

## Light features

MacAdam:	5	Lumen maintenance:	L80B50@50000h
Distribution of light emission:	Direct	IPEA* (green areas):	B

## Photometric data

---



To maintain the regular updating of our products, GEWISS reserves the right to make changes without prior notice. For the most up to date information we always recommend you read the latest version published on the website [www.performanceinlighting.com](http://www.performanceinlighting.com). Delivered luminaire lumen outputs and power consumptions, including losses, are subject to a tolerance of +/- 7%, and unless otherwise stated the values apply to an ambient temperature of 25°C. Terms of warranty are available at <https://www.gewiss.com/ww/en/about-gewiss/standard-sales-conditions/led-warranty>