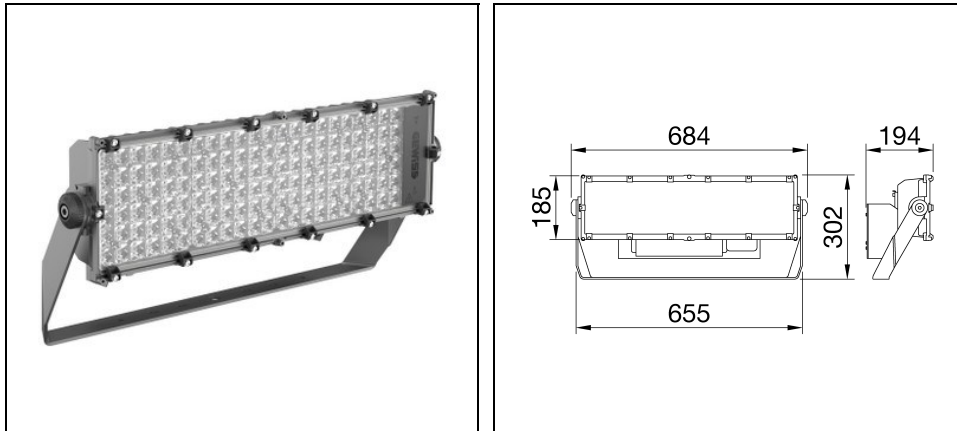


STADIUM PRO 1M SYMMETRIC

Part number GWP3131DA740



Description

- High-power LED floodlight, with high-emittance LES (light emitting surface), suitable for lighting small or medium-sized sporting facilities
- The floodlight has a graphite grey finish with trivalent treatment for maximum resistance to oxidation and is equipped with an integrated 'self-cleaning' heat dissipation system
 - The floodlight is available in the following colour temperatures 4,000K or 5,700K and colour rendering CRI>70, CRI>80 o CRI>90 (TLCI>80)
 - The range offers 6 types of circular optics, from 8° up to 40°, 1 symmetrical/elliptical optic and 2 asymmetric optics
 - The powers supply unit available in DALI or DMX-RDM versions acan be oriented to optimise the heat dispersion depending on the orientation of the motor
 - The floodlight is completed with the power supply unit fixed onto the back of the heat sink
 - It is protected from surges up to 6 kV in differential mode and 10 kV in common mode
 - The T.I.R.Ex.optic system developed by GEWISS with lenses in PMMA HT (high-transparency), gives complete control over the light beam, allowing for great flexibility in any project design, with high qualitative and quantitative performance
 - With a bleed and anti-condensation valve, protected from accidental impact
 - The orientation system is enabled by the goniometer integrated into the bracket, which facilitates the pointing phases during installation
 - L90B10 (Tq 25°C) = 40.000 h; L80B10 (Tq 25°C) = 75.000 h

To maintain the regular updating of our products, GEWISS reserves the right to make changes without prior notice. For the most up to date information we always recommend you read the latest version published on the website www.performanceinlighting.com. Delivered luminaire lumen outputs and power consumptions, including losses, are subject to a tolerance of +/- 7%, and unless otherwise stated the values apply to an ambient temperature of 25°C. Terms of warranty are available at <https://www.gewiss.com/ww/en/about-gewiss/standard-sales-conditions/led-warranty>

Product data

ETIM Group:	EG000027	ETIM Class:	EC001744
-------------	----------	-------------	----------

General information

Lampholder:	LED	Light source:	LED
Luminaire lumen output [lm]:	53500	Luminaire wattage [W]:	480 W
Luminous efficacy [lm/W]:	111	CRI:	70
Colour temperature [K]:	4000	Colour / Finishing:	Graphite grey / Graphite grey
IP degree of protection:	IP66	IK-J-xxIP:	IK08 5J xx5
Protection class:	I	Optic:	ELL - Elliptical
Beam angle:	20°x80°	Net weight [kg]:	14,816
Overall length [mm]:	655	Overall width [mm]:	302
Overall height [mm]:	194		

Mechanical features

Housing material:	Aluminium	Diffuser material:	Glass
-------------------	-----------	--------------------	-------

Electrical features

Voltage type:	AC	Input voltage [V AC]:	220/240
Input frequency [Hz]:	50/60		

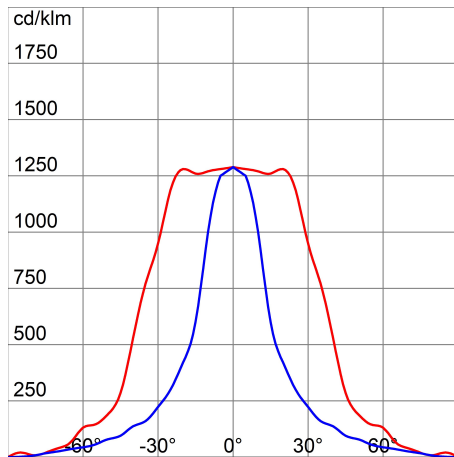
Installation

Application area:	Outdoor	Mounting type:	Sports / High Powered Floodlighting
Min. ambient temperature [°C]:	-25	Max. ambient temperature [°C]:	50

Light features

MacAdam:	5	Lumen maintenance:	L90B10@40000h
Distribution of light emission:	Direct	UGR max.:	0.0
IPEA* (large areas, roundabouts):	A+		

Photometric data



Optional accessories

STADIUM PRO 1M RM



GWP30004
Red Dot pointer support



GWP30002
Anti-glare louvre for circular optic versions



GWP30003
Visor for symmetric or circular optic versions



GWP20113
3-way connection kit



GWP20114
4-way connection kit

STADIUM PRO 1M /SYMM

To maintain the regular updating of our products, GEWISS reserves the right to make changes without prior notice. For the most up to date information we always recommend you read the latest version published on the website www.performanceinlighting.com. Delivered luminaire lumen outputs and power consumptions, including losses, are subject to a tolerance of +/- 7%, and unless otherwise stated the values apply to an ambient temperature of 25°C. Terms of warranty are available at <https://www.gewiss.com/ww/en/about-gewiss/standard-sales-conditions/led-warranty>



GWP30006

Replacement glass for symmetric optic versions

STADIUM PRO 1M /ASYMM



GWP30009

Replacement glass for asymmetric optic versions