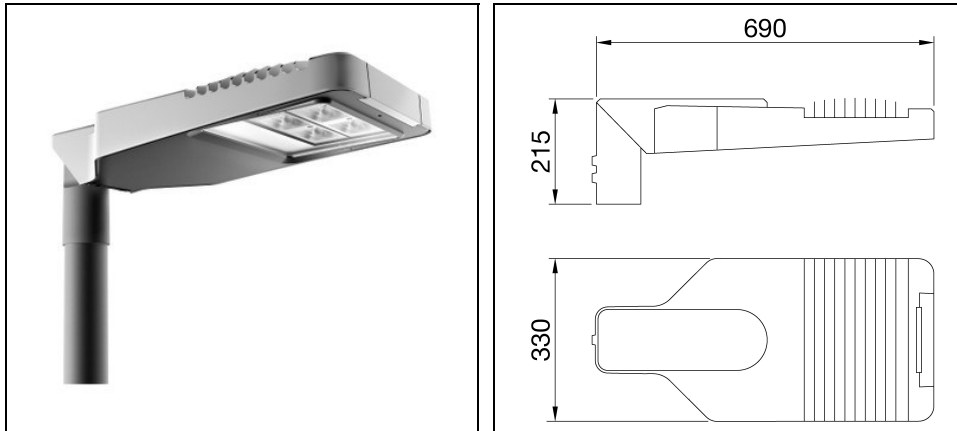


# ROAD [5] MEDIUM 4X3 LED WIDE

Part number GWR5214



## Description

Street lighting device with cover, frame, and pole attachment in EN AB 46100 die-cast aluminium with low copper content:

- Polyester powder coated
- High-power LED
- Printed Circuit Board (PCB) in metal core
- Common mode surge protection up to 10kV
- With safety switch
- Cable plate in PA6.6 + glass fiber
- Cable input via PG13,5 cable gland
- High reflective aluminium optical system
- Tempered flat glass with 4 mm thickness
- Opening and closing system with integrated front handle
- It can be used up to 50°C of ambient temperature but with reduced currents as indicated in the instruction manual
- Suitable for installation both on top of the pole and offset with 5° pitch adjustment
- L90B10 (Tq 25°C) > 115.000 h; L90B10 (Tq 40°C) = 115.000 h

## Product data

ETIM Group:	EG000027	ETIM Class:	EC000062
-------------	----------	-------------	----------

## General information

Lampholder:	LED	Light source:	LED
Luminaire lumen output [lm]:	19700	Luminaire wattage [W]:	148 W
Luminous efficacy [lm/W]:	133	CRI:	70
Colour temperature [K]:	4000	Colour / Finishing:	GR-RAL9006 / Grey RAL9006
IP degree of protection:	IP66	IK-J-xxIP:	IK08 5J xx5
Protection class:	II	Optic:	WIDE - Street
Net weight [kg]:	8.085	Overall length [mm]:	690
Overall width [mm]:	330	Overall height [mm]:	215

## Mechanical features

Housing material:	Aluminium	Diffuser material:	Glass
-------------------	-----------	--------------------	-------

## Electrical features

Voltage type:	AC	Input voltage [V AC]:	220/240
Input frequency [Hz]:	50/60		

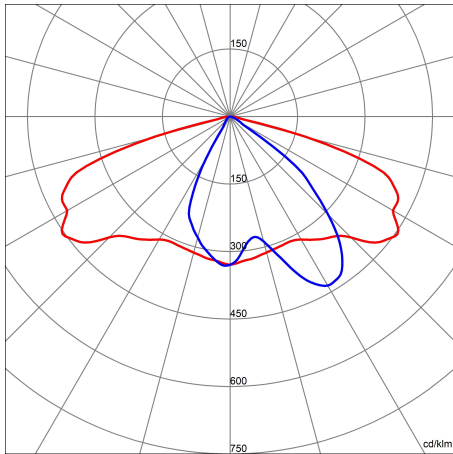
## Installation

Application area:	Outdoor	Mounting type:	Street lighting
Min. ambient temperature [°C]:	-25	Max. ambient temperature [°C]:	40

## Light features

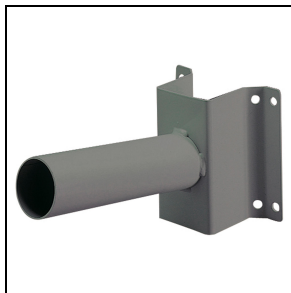
MacAdam:	5	Lumen maintenance:	L90B10@115000h
Distribution of light emission:	Direct	Luminous Intensity Class:	G`4
IPEA* (road lighting):	A3+	IPEA* (large areas, roundabouts):	A6+
IPEA* (cycle-pedestrian):	A3+	IPEA* (green areas):	A4+
IPEA* (historic city centers):	A11+		

## Photometric data

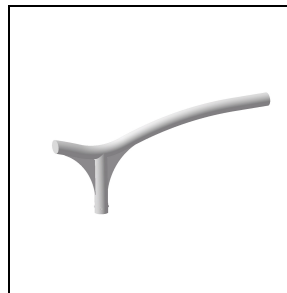


## Optional accessories

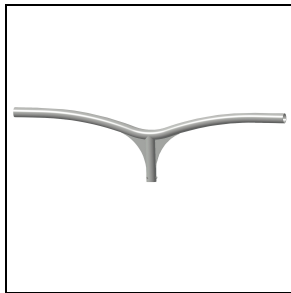
### ROAD [5] MEDIUM



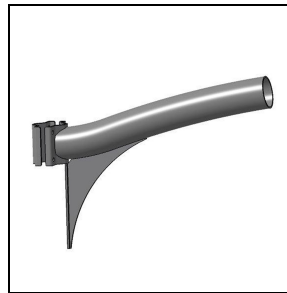
**GW86167**  
Wall-mounting bracket 150x160x290 mm - graphite grey  
■ Graphite grey / Graphite grey



**GW87581**  
Single pole head bracket 1 m - graphite grey  
■ Graphite grey / Graphite grey



**GW87582**  
Double pole head bracket 1\*1 m - graphite grey  
■ Graphite grey / Graphite grey



**GW87587**  
Short bracket 0.5 m - graphite grey  
■ Graphite grey / Graphite grey



**GW87586**  
Long bracket 1 m - graphite grey  
■ Graphite grey / Graphite grey



**GW84096**  
Conical pole painted h = 5.5 m - graphite grey  
■ Graphite grey / Graphite grey

To maintain the regular updating of our products, GEWISS reserves the right to make changes without prior notice. For the most up to date information we always recommend you read the latest version published on the website [www.performanceinlighting.com](http://www.performanceinlighting.com). Delivered luminaire lumen outputs and power consumptions, including losses, are subject to a tolerance of +/- 7%, and unless otherwise stated the values apply to an ambient temperature of 25°C. Terms of warranty are available at <https://www.gewiss.com/ww/en/about-gewiss/standard-sales-conditions/led-warranty>



**GW87591**

Conical pole painted h = 6.8 m -  
graphite grey

■ Graphite grey / Graphite grey



**GW84097**

Conical pole painted h = 7.8 m -  
graphite grey

■ Graphite grey / Graphite grey



**GW87592**

Conical pole painted h = 8.8 m -  
graphite grey

■ Graphite grey / Graphite grey



**GW87593**

Conical pole painted h = 9.8 m -  
graphite grey

■ Graphite grey / Graphite grey