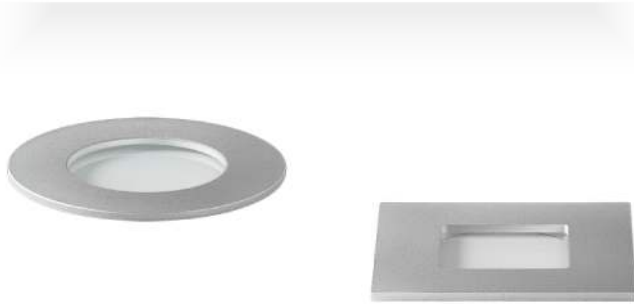


ALU INGROUND



In-ground series. Fixtures consist of:

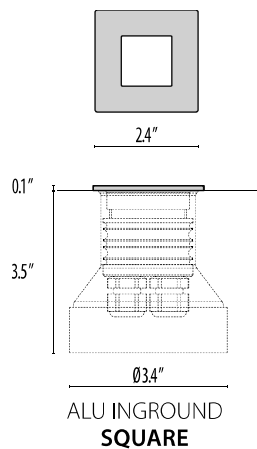
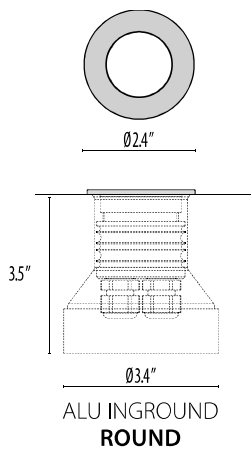
- Multi-step powder-coat painting process, optimized against UV rays and corrosion.
- Copper-free precision machined anodized aluminum housing and optical compartment.
- Frosted, flat, tempered silk-screened soda-lime glass diffuser.
- Custom molded, anti-aging gasket(s).
- Custom MCPCB utilized to maximize heat dissipation and promote a long LED life.
- Diffuse light emission.
- To be used with a low-voltage, constant-current (700 mA) driver (ordered separately, consult factory for more information).

- Stainless steel recessed rough-in kit can be ordered separately.
- For outdoor inground applications, provide drainage gravel at least 12" below the rough-in or a suitable drainage system.
- Consult factory for dimming options, custom finishes (please specify RAL color), and non-cataloged CCT (Kelvin) options.
- 5-year warranty.
- Marine Grade finish.
- Consult factory for any Buy American Act (BAA) or Build America Buy America Act (BABAA) requirements.



FINISHES

- BK-40 / Anodized black / Matt
- GR-EV1 / Anodized aluminum / Matt
- AN-96 / Iron gray / Textured
- BK-81 / Black / Textured
- GR-94 / Aluminum metallic / Textured
- WH-87 / White / Textured
- RB-10 / Iron rust / Textured



Scan here
for installation
instructions



Lumen Output	27K	3K	35K	4K	6K
Alu Inground Round	15	16	17	18	20
Alu Inground Square	15	16	17	18	20

2.1W Max Wattage

Order Guide –

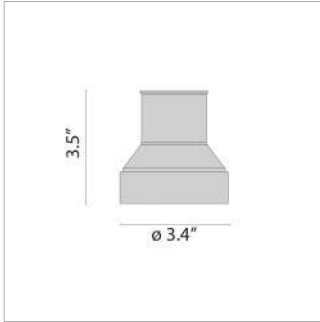
Order code example:

SERIES	Wattage	CCT	Finish	Voltage	Controls	Accessories
AINRO ALU INGROUND ROUND*	2W 2.1W*	27K 2700K	AA Anodized Aluminum*	UNV 120-277V* Remote driver input voltage	NA Non-Dim*	RDR Remote Driver Please specify QTY of fixtures per driver (14-Max)
AINSQ ALU INGROUND SQUARE*		3K 3000K*	AB Anodized Black*		0-10V 0-10V Dim Remote Driver	REM Remote Battery pack requires multiple fixtures wired in series (4-Min, 14-Max)
		35K 3500K	IG Iron Gray		ELV 120V-Line Voltage dim Remote Driver	BABAA Build America Buy America Act compliant (not available for all options)
		4K 4000K	WH Textured White		For more Options Contact Factory	
		5K 5000K	CC Custom Color			
		6K 6000K*				
		RED Static Red				
		GRN Static Green				
		BLU Static Blue				
		AMB 590nm Amber (turtle- friendly)				

STANDARD OPTION, SHORTER LEAD TIME, NO MOQ
 80 CRI STANDARD - OTHER OPTIONS AVAILABLE

INCLUDED ACCESSORIES

DESCRIPTION	FINISH	PART NUMBER
ALU INGROUND		
Recessed fixing kit - Stainless steel		310197



ROUGH IN INCLUDED WITH FIXTURE
REQUIRED FOR INSTALLATION