

# KHA 5/9



Pathway bollard series. Fixtures consist of:

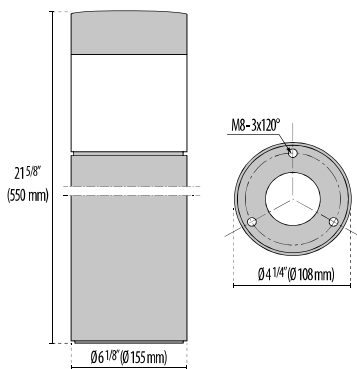
- Multi-step powder-coat painting process, optimized against UV rays and corrosion.
- Copper-free precision die-cast aluminum housing and top cap.
- Copper-free aluminum extruded post.
- Corrosion-resistant AISI 316 stainless steel post and top cap.
- Clear UV-stabilized, high-impact resistant diffuser.
- Custom molded, anti-aging gasket(s).
- Stainless steel external hardware.
- Internal specular reflector coated with 5-layers of PVD 99.98% pure aluminum providing >95% reflection.
- High-efficiency COB, combined with an optimized passive cooling system, provides a long LED life.
- IESNA Type V light distribution.

- Input voltage: 120-277 V (50 / 60 Hz), integral driver.
- Five optional finishes available. Add finish suffix to any part number for textured Black (BK-81), Iron gray (AN-96), Aluminum metallic (GR-94), White (WH-87), Iron rust (RB-10) when not standard.
- Consult factory for dimming options, marine-grade, custom finishes (please specify RAL color), and non-cataloged CCT (Kelvin) options including static colors.
- Consult factory for custom post height options.
- Anchor bolts available for bollards (ordered separately).
- Suitable for most coastal applications (stainless steel versions).
- Product meets Buy American Act requirements within ARRA.
- 5-year warranty.
- Marine Grade finish.
- Suitable for Natatorium applications.

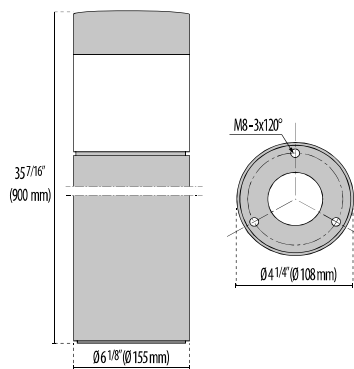


## FINISHES

- AN-96 / Iron gray / Textured
- BK-81 / Black / Textured
- INOX / Stainless steel / Matt
- GR-94 / Aluminum metallic / Textured
- WH-87 / White / Textured
- RB-10 / Iron rust / Textured



KHA  
5



KHA  
9

Lumen Output	27K	3K	35K	4K	5K
Kha 5	1095	1182	1269	1356	1379
Kha 9	1095	1182	1269	1356	1379



LVR



BEV



HSS

## Order Guide - Kha 5/9

Order code example

**KHA-5-19-SS-3K-120-LVR**

KHA-						
Bollard Height	Wattage	Finish	Kelvin	Voltage	Controls	Accessories
5 22 inch	<b>19</b> 19 watt (max)	<b>SS</b> Stainless Steel	<b>27K</b> 2700k	<b>120</b> 120 volts	<b>NA</b> Non Dimming	<b>LVR</b> Internal louver (horizontal)
<b>9</b> 35 inch	<b>12</b> 12 watt	<b>AM</b> Aluminum Metallic	<b>3K</b> 3000k	<b>277</b> 277 volts	<b>0-10V</b> 0-10V Dimming	<b>HSS</b> House side shield
<b>42</b> 42 inch	<b>7</b> 7 watt	<b>IG</b> Iron Gray	<b>35K</b> 3500k			<b>ELV</b> ELV Dimming
<b>XX</b> Specify Height min 22"	<b>XX</b> Specify Wattage must be below max	<b>IR</b> Iron Rust	<b>4K</b> 4000k			<b>DB</b> Direct Burial
		<b>BK</b> Textured Black	<b>5K</b> 5000k			<b>BEV</b> Bevelled Post
		<b>WH</b> Textured White	<b>RED</b> Static Red			<b>BP</b> Custom Base plate
		<b>CC</b> Custom Color	<b>BLU</b> Static Blue			
			<b>GRN</b> Static Green			