

KHA 5/9



Pathway bollard series. Fixtures consist of:

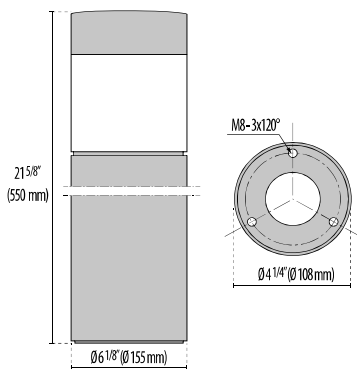
- Multi-step powder-coat painting process, optimized against UV rays and corrosion.
- Copper-free precision die-cast aluminum housing and top cap.
- Copper-free aluminum extruded post.
- Corrosion-resistant AISI 316 stainless steel post and top cap.
- Clear UV-stabilized, high-impact resistant diffuser.
- Custom molded, anti-aging gasket(s).
- Stainless steel external hardware.
- Internal specular reflector coated with 5-layers of PVD 99.98% pure aluminum providing >95% reflection.
- High-efficiency COB, combined with an optimized passive cooling system, provides a long LED life.
- IESNA Type V light distribution.

- Input voltage: 120-277 V (50 / 60 Hz), integral driver.
- Five optional finishes available. Add finish suffix to any part number for textured Black (BK-81), Iron gray (AN-96), Aluminum metallic (GR-94), White (WH-87), Iron rust (RB-10) when not standard.
- Consult factory for dimming options, marine-grade, custom finishes (please specify RAL color), and non-cataloged CCT (Kelvin) options including static colors.
- Consult factory for custom post height options.
- Anchor bolts available for bollards (ordered separately).
- Suitable for most coastal applications (stainless steel versions).
- Product meets Buy American Act requirements within ARRA.
- 5-year warranty.
- Marine Grade finish.
- Suitable for Natatorium applications.

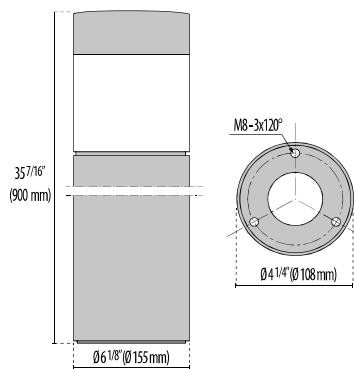


FINISHES

- AN-96 / Iron gray / Textured
- BK-81 / Black / Textured
- INOX / Stainless steel / Matt
- GR-94 / Aluminum metallic / Textured
- WH-87 / White / Textured
- RB-10 / Iron rust / Textured



KHA
5



KHA
9

19W Max Wattage Vaules

Lumen Output	27K	3K	35K	4K	5K
Kha 5	1095	1182	1269	1356	1379
Kha 9	1095	1182	1269	1356	1379



LVR



BEV



HSS

Order Guide - Kha 5/9

Order code example

KHA-5-19-SS-3K-120-LVR

KHA-

Bollard Height	Wattage	Finish	Kelvin	Voltage	Controls	Accessories
5 22 inch	19 19 watt (max)	SS Stainless Steel	27K 2700k	120 120 volts	NA Non Dimming	LVR Internal louver (horizontal)
9 35 inch	12 12 watt	AM Aluminum Metallic	3K 3000k	277 277 volts	0-10V 0-10V Dimming	HSS House side shield
42 42 inch	7 7 watt	IG Iron Gray	35K 3500k		ELV ELV Dimming	FRST Frosted Diffuser
XX Specify Height min 22"	XX Specify Wattage must be below max	IR Iron Rust	4K 4000k			DB Direct Burial
		BK Textured Black	5K 5000k			BEV Bevelled Post
		WH Textured White	RED Static Red			BP Custom Base plate
		CC Custom Color	BLU Static Blue			
			GRN Static Green			
			RGBW RGBW Consult factory for control details			

OPTIONAL ACCESSORIES

DESCRIPTION	FINISH	PART NUMBER
Controls		
Kit driver 48V	-	17433
Kit driver 48V WP	-	17096

RF Controls		
RGBW RF controller 4 channel	-	310417-7
RGBW RF controller WP 4 channel	-	310417-7-WP
RGBW hand held remote	-	310429

WIFI Controls		
RGBW WIFI controller 4 channel	-	310417-7WI
RGBW WIFI controller WP 4 channel	-	310417-7WI-WP

DMX Controls		
RGBW DMX controller 4 channel	-	17897-7
RGBW DMX controller WP 4 channel	-	17897-7-WP
Terminating resistor	-	11015
Terminating resistor WP	-	110150



App (free) – “EasyLighting”

EasyLighting is an application that uses a WIFI network to control, adjust, and customize the lighting color or CCT, brightness, and the rate of change. With this application you can control EasyLighting products through most mobile devices



17433



17096



3104174



31041740
31041640
1789740



310429



3104164



178974



110150



11015