

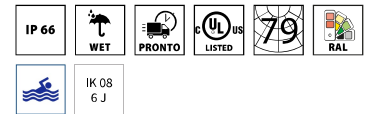
KHA SLIM 36"



Slim bollard series. Fixtures consist of:

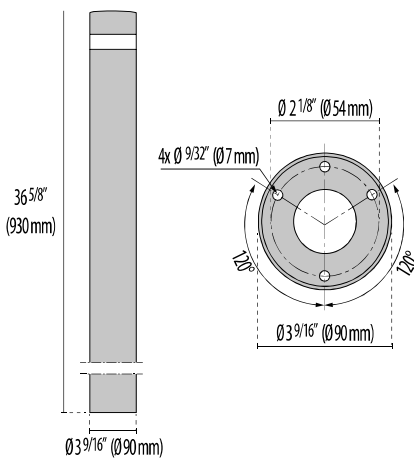
- Multi-step powder-coat painting process, optimized against UV rays and corrosion.
- Copper-free aluminum extruded post.
- Copper-free precision die-cast aluminum housing and top cap.
- Corrosion-resistant AISI 316 stainless steel post and top cap.
- Clear UV-stabilized, high-impact resistant diffuser.
- Stainless steel external hardware.
- Custom molded, anti-aging gasket(s).
- Internal specular reflector coated with 5-layers of PVD 99.98% pure aluminum providing >95% reflection.
- High-efficiency COB, combined with an optimized passive cooling system, provides a long LED life.
- IESNA Type V light distribution.

- Input voltage: 120-277 V (50 / 60 Hz), integral driver.
- Five optional finishes available. Add finish suffix to any part number for textured Black (BK-81), Iron gray (AN-96), Aluminum metallic (GR-94), White (WH-87), Iron rust (RB-10) when not standard.
- Consult factory for dimming options, marine-grade, custom finishes (please specify RAL color), and non-cataloged CCT (Kelvin) options including static colors.
- Consult factory for custom post height options.
- Anchor bolts available for bollards (ordered separately).
- Suitable for most coastal applications (stainless steel versions).
- Product meets Buy American Act requirements within ARRA.
- 5-year warranty.
- Marine Grade finish.
- Suitable for Natatorium applications.



FINISHES

- AN-96 / Iron gray / Textured
- BK-81 / Black / Textured
- INOX / Stainless steel / Matt
- GR-94 / Aluminum metallic / Textured
- WH-87 / White / Textured
- RB-10 / Iron rust / Textured



KHA
36"

Lumen Output	27K	3K	35K	4K	5K
Kha Slim 36"	450	482	514	546	592

Order Guide - Kha Slim 36"



Order code example

KHAS-36-14-SS-3K-120-NA-HSS

KHAS-						
Bollard Height	Wattage	Finish	Kelvin	Voltage	Controls	Accessories
21 21 inch (min)	8 8 watt	SS Stainless Steel	27K 2700k	120 120 volts	NA Non Dimming	HSS House Side Shield
26 26 inch	10 10 watt	AM Aluminum Metallic	3K 3000k	277 277 volts	0-10V 0-10V Dimming	UNL Unlit Bollard
38 38 inch	14 14 watt (max)	IG Iron Gray	35K 3500k			
42 42 inch	XX Specify wattage must be below max	IR Iron Rust	4K 4000k		ELV ELV Dimming	
XX Specify height must be over min		BK Textured Black	5K 5000k			
		WH Textured White	65K 6500k			
		CC Custom Color	RED Static Red			
			BLU Static Blue			
			GRN Static Green			

OPTIONAL ACCESSORIES

DESCRIPTION	FINISH	PART NUMBER
KHA SLIM 36" Anchor rods for in-ground concrete mounting stainless steel plate with galvanised steel rods (KHA SLIM H max 93 cm/36.61" only)		14071320

