

# KHA SLIM 36"



Slim bollard series. Fixtures consist of:

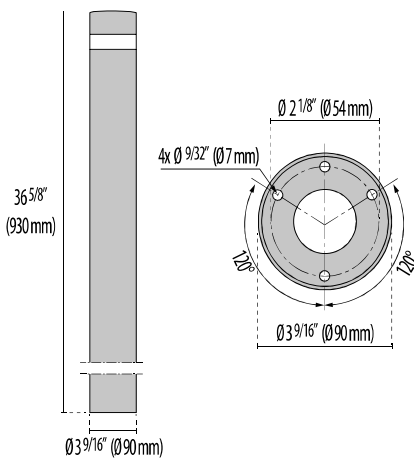
- Multi-step powder-coat painting process, optimized against UV rays and corrosion.
- Copper-free aluminum extruded post.
- Copper-free precision die-cast aluminum housing and top cap.
- Corrosion-resistant AISI 316 stainless steel post and top cap.
- Clear UV-stabilized, high-impact resistant diffuser.
- Stainless steel external hardware.
- Custom molded, anti-aging gasket(s).
- Internal specular reflector coated with 5-layers of PVD 99.98% pure aluminum providing >95% reflection.
- High-efficiency COB, combined with an optimized passive cooling system, provides a long LED life.
- IESNA Type V light distribution.
- 5-year warranty.

- Input voltage: 120-277 V (50 / 60 Hz), integral driver.
- Five optional finishes available. Add finish suffix to any part number for textured Black (BK-81), Iron gray (AN-96), Aluminum metallic (GR-94), White (WH-87), Iron rust (RB-10) when not standard.
- Consult factory for dimming options, marine-grade, custom finishes (please specify RAL color), and non-cataloged CCT (Kelvin) options including static colors.
- Consult factory for custom post height options.
- Anchor bolts available for bollards (ordered separately).
- Suitable for most coastal applications (stainless steel versions).
- Marine Grade finish.
- Suitable for Natatorium applications.
- Consult factory for any Buy American Act (BAA) or Build America Buy America Act (BABAA) requirements.



## FINISHES

- AN-96 / Iron gray / Textured
- BK-81 / Black / Textured
- INOX / Stainless steel / Matt
- GR-94 / Aluminum metallic / Textured
- WH-87 / White / Textured
- RB-10 / Iron rust / Textured



KHA  
36"

Lumen Output	27K	3K	35K	4K	5K
Kha Slim 36"	450	482	514	546	592

14W Max Wattage

Scan Here for  
Installation Instructions



# Order Guide - Kha Slim 36"



Order code example

**KHAS-36-14-SS-3K-120-NA-HSS**

**KHAS-**

Bollard Height	Wattage	Finish	Kelvin	Voltage	Controls	Accessories
26 26 inch (min)	<b>8</b> 8 watt	<b>SS</b> Stainless Steel	<b>27K</b> 2700k	<b>UNV</b> 120-277V	<b>NA</b> Non Dimming  <b>0-10V</b> 0-10V Dimming Driver  <b>ELV</b> 120V Line-Voltage Dimming Driver	<b>HSS</b> House Side Shield  <b>UNL</b> Unlit Bollard  <b>BABAA</b> Build America Buy America Act compliant (not available for all options)
36 36 inch	<b>10</b> 10 watt	<b>AM</b> Aluminum Metallic	<b>3K</b> 3000k			
42 42 inch	<b>14</b> 14 watt	<b>IG</b> Iron Gray	<b>35K</b> 3500k			
<b>XX</b> Specify height must be over min	<b>XX</b> Specify wattage must be below max	<b>IR</b> Iron Rust	<b>4K</b> 4000k			
		<b>BK</b> Textured Black	<b>5K</b> 5000k			
		<b>WH</b> Textured White	<b>65K</b> 6500k			
		<b>CC</b> Custom Color	<b>RED</b> Static Red			
			<b>BLU</b> Static Blue			
			<b>GRN</b> Static Green			

80 CRI STANDARD - OTHER OPTIONS AVAILABLE

## INCLUDED ACCESSORIES

DESCRIPTION	FINISH	PART NUMBER
<b>KHA SLIM 36"</b> Anchor rods for in-ground concrete mounting stainless steel plate with galvanised steel rods (KHA SLIM H max 93 cm/36.61" only)		<b>14071320</b>

