

KHA SLIM 7'2"



Slim area and site lighting series. Fixtures consist of:

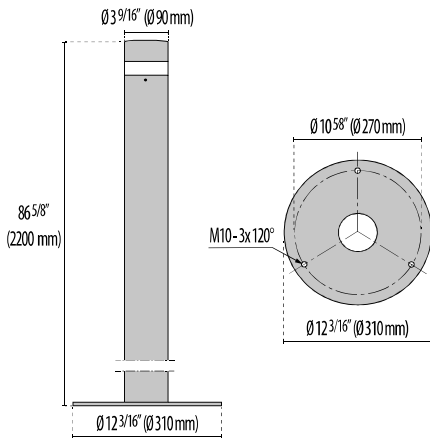
- Multi-step powder-coat painting process, optimized against UV rays and corrosion.
- Copper-free aluminum extruded post.
- Copper-free precision die-cast aluminum housing and top cap.
- Corrosion-resistant AISI 316 stainless steel post and top cap.
- Clear UV-stabilized, high-impact resistant diffuser.
- Custom molded, anti-aging gasket(s).
- Stainless steel external hardware.
- Internal specular reflector coated with 5-layers of PVD 99.98% pure aluminum providing >95% reflection.
- High-efficiency COB, combined with an optimized passive cooling system, provides a long LED life.
- IESNA Type V light distribution.
- 5-year warranty.

- Input voltage: 120-277 V (50 / 60 Hz), integral driver.
- Five optional finishes available. Add finish suffix to any part number for textured Black (BK-81), Iron gray (AN-96), Aluminum metallic (GR-94), White (WH-87), Iron rust (RB-10) when not standard.
- Consult factory for dimming options, marine-grade, custom finishes (please specify RAL color), and non-cataloged CCT (Kelvin) options including static colors.
- Consult factory for custom post height options.
- Anchor bolts available for bollards (ordered separately).
- Suitable for most coastal applications (stainless steel versions).
- Marine Grade finish.
- Suitable for Natatorium applications.
- Consult factory for any Buy American Act (BAA) or Build America Buy America Act (BABAA) requirements.



FINISHES

- AN-96 / Iron gray / Textured
- BK-81 / Black / Textured
- INOX / Stainless steel / Matt
- GR-94 / Aluminum metallic / Textured
- WH-87 / White / Textured
- RB-10 / Iron rust / Textured



KHA
7' 2"



Scan Here for
Installation Instructions

Lumen Output	27K	3K	35K	4K	5K
Kha Slim 7'2"	450	482	514	546	592

14W Max Wattage

Revision 07
06/25

Order Guide - Kha Slim 7'2"



Order code example **KHA7-86-14-SS-3K-120-NA-HSS**

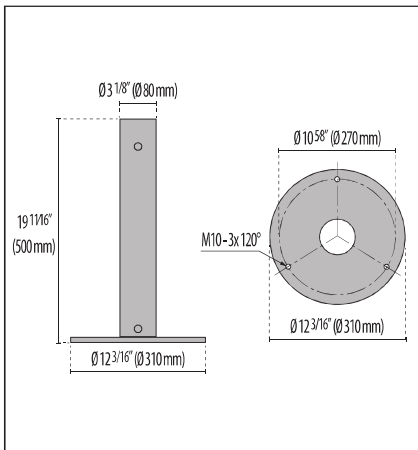
KHA7

Post Height	Wattage	Finish	Kelvin	Voltage	Controls	Accessories
86 86 inch Max XX Specify height must be below max	8 8 watt	SS Stainless Steel	27K 2700k	UNV 120-277V	NA Non Dimming	HSS House Side Shield
		AM Aluminum Metallic	3K 3000k			
	14 14 watt (max)	IG Iron Gray	35K 3500k		ELV 120V Line-Voltage Dimming Driver	
		IR Iron Rust	4K 4000k			
	XX Specify wattage must be below max		BK Textured Black		5K 5000k	
			WH Textured White		65K 6500k	
			CC Custom Color		RED Static Red	
			BLU Static Blue			
			GRN Static Green			

80 CRI STANDARD - OTHER OPTIONS AVAILABLE

INCLUDED ACCESSORIES

KHA SLIM 7'



Mounting Base