

KHA SLIM 250



Slim area and site lighting series. Fixtures consist of:

- Multi-step powder-coat painting process, optimized against UV rays and corrosion.
- Copper-free aluminum extruded post.
- Copper-free precision die-cast aluminum housing and top cap.
- Corrosion-resistant AISI 316 stainless steel post and top cap.
- Satin UV-stabilized diffuser.
- Custom molded, anti-aging gasket(s).
- Stainless steel external hardware.
- Custom MCPCB utilized to maximize heat dissipation and promote long LED life.
- Diffuse light emission.
- IESNA Type V light distribution.
- Input voltage: 120-277V (50 / 60 Hz), integral driver.

- Anchor bolts available for bollards (ordered separately).
- Suitable for most coastal applications (stainless steel versions).
- Five optional finishes available. Add finish suffix to any part number for textured Black (BK-81), Iron gray (AN-96), Aluminum metallic (GR-94), White (WH-87), Iron rust (RB-10) when not standard.
- Consult factory for dimming options, marine-grade, custom finishes (please specify RAL color), and non-cataloged CCT (Kelvin) options including static colors.
- Consult factory for custom post height options.
- 5-year warranty.
- Marine Grade finish.
- Suitable for Natatorium applications.
- Consult factory for any Buy American Act (BAA) or Build America Buy America Act (BABAA) requirements.



FINISHES

- AN-96 / Iron gray / Textured
- BK-81 / Black / Textured
- INOX / Stainless steel / Matt
- GR-94 / Aluminum metallic / Textured
- WH-87 / White / Textured
- RB-10 / Iron rust / Textured

Ø 39/16" (Ø 90mm)

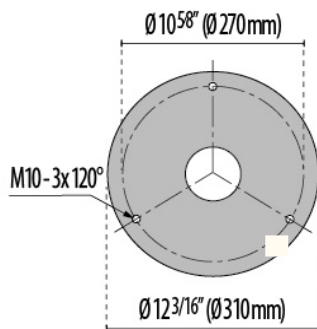
Overall Height
3.16' min
20' max

Diffuser Length
12" min
48" max

KHA SLIM
250

Lumen Output	Wattage	4K /80CRI
12" Diffuser	25W max	2595lm
24" Diffuser	50W max	5190lm
48" Diffuser	75W max	7800lm

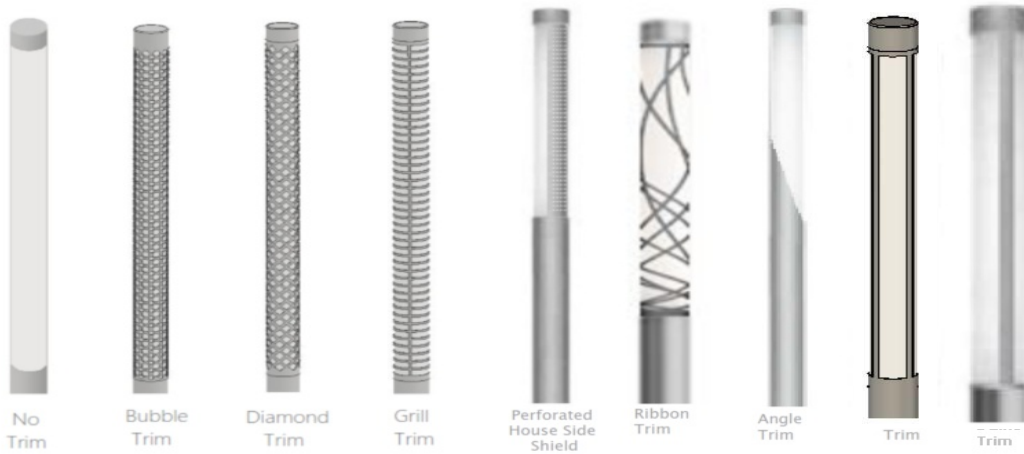
Contact factory for other CCT's and reduced lumen options



Base Details



Scan Here for
Installation Instructions



Order Guide - Kha Slim 250

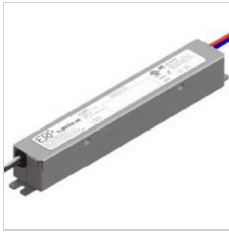
Order code example **KHA250-XX-24-50-SS-3K-120-NA-DB**

80 CRI STANDARD - OTHER OPTIONS AVAILABLE

KHA250 [] [] [] [] [] [] [] []

Overall Column Height	Diffuser Size	Wattage	Finish	Kelvin	Voltage	Controls	Accessories
60 60 inch 12" diffuser min 72 72 inch 24" diffuser min 96 96 inch 48" diffuser min XX Specify Height Must be within range	12 12" diffuser 25W Max	25 25 watt	SS Stainless Steel 96" Max OAH	27K 2700k	UNV 120-277V	NA Non Dimming 0-10V 0-10V Dimming Driver ELV 120V Line- Voltage Dimming Driver	DB Direct Burial Must specify DB Depth BT Bubble Trim DIA Diamond Trim GRL Grill Trim PER Perforated Shield Full PHSS Perforated House Side Shield RBN Ribbon Trim ANG Angle Trim 4L Four Line Trim 2L Two Line Trim OCC Occupancy Sensor Not Available with RGBW or with Trim options BABAA Build America Buy America Act compliant (not available for all options)
	24 24" diffuser 50W Max	40 40 watt	AM Aluminum Metallic	3K 3000k			
	48 48" diffuser 85W Max	50 50 watt	IG Iron Gray	35K 3500k			
	48 inch is the max diffuser length	75 75 watt	IR Iron Rust	4K 4000k			
	85 85 watt (30°C/86°F ambient) max	85 85 watt (30°C/86°F ambient) max	BK Textured Black	5K 5000k			
	XX Specify Wattage Must be below max	85 85 watt (30°C/86°F ambient) max	WH Textured White	65K 6500k			
		XX Specify Wattage Must be below max	CC Custom Color	RED Static Red			
				BLU Static Blue			
				GRN Static Green			
				AMB Static Amber			
			RGBW RGBW* See below for control details				

Power Supply



17433
Kit driver 48V



17096
Kit driver 48V WP

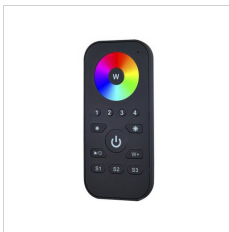
RF Controls



3104173
RGBW RF controller 4 channel
(0.35A each CH)



31041730
RGBW RF controller WP 4 channel
(0.35A each CH)



310429
RGBW hand held remote

DMX Controls



178973
RGBW DMX enabler/decoder 4
channel (0.35A each CH)



1789730
RGBW DMX enabler/decoder WP 4
channel (0.35A each CH)



11015
Terminating Resistor



110150
Terminating Resistor WP