

# KHA SLIM 8'



Slim area and site lighting series. Fixtures consist of:

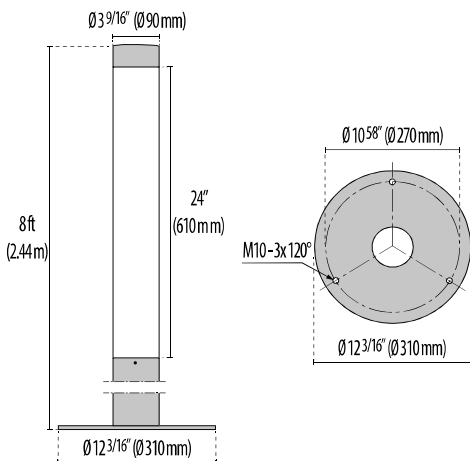
- Multi-step powder-coat painting process, optimized against UV rays and corrosion.
- Copper-free aluminum extruded post.
- Copper-free precision die-cast aluminum housing and top cap.
- Corrosion-resistant AISI 316 stainless steel post and top cap.
- Satin UV-stabilized diffuser.
- Custom molded, anti-aging gasket(s).
- Stainless steel external hardware.
- Custom MCPCB utilized to maximize heat dissipation and promote long LED life.
- Diffuse light emission.
- IESNA Type V light distribution.
- Input voltage: 120-277V (50 / 60 Hz), integral driver.

- Anchor bolts available for bollards (ordered separately).
- Suitable for most coastal applications (stainless steel versions).
- Five optional finishes available. Add finish suffix to any part number for textured Black (BK-81), Iron gray (AN-96), Aluminum metallic (GR-94), White (WH-87), Iron rust (RB-10) when not standard.
- Consult factory for dimming options, marine-grade, custom finishes (please specify RAL color), and non-cataloged CCT (Kelvin) options including static colors.
- Consult factory for custom post height options.
- Product meets Buy American Act requirements within ARRA.
- 5-year warranty.
- Marine Grade finish.
- Suitable for Natatorium applications.



## FINISHES

- AN-96 / Iron gray / Textured
- BK-81 / Black / Textured
- INOX / Stainless steel / Matt
- GR-94 / Aluminum metallic / Textured
- WH-87 / White / Textured
- RB-10 / Iron rust / Textured



KHA  
8'

Lumen Output	27K	3K	35K	4K	5K
Kha Slim 8' 24" Diffuser	4776	4914	5052	5190	5328



## Order Guide - Kha Slim 8' 2"

Order code example

**KHA8-98-24-50-SS-3K-120-NA-DB**

KHA8							
Bollard Height	Diffuser Size	Wattage	Finish	Kelvin	Voltage	Controls	Accessories
<b>98</b> 98 Inch (max)  <b>XX</b> Specify Height Must be within range	<b>12</b> 12" diffuser 38" Min Height 25W Max	<b>25</b> 25 watt	<b>SS</b> Stainless Steel	<b>27K</b> 2700k	<b>120</b> 120 volts	<b>NA</b> Non Dimming	<b>DB</b> Direct Burial
	<b>24</b> 24" diffuser 50" Min Height 50W Max	<b>40</b> 40 watt	<b>AM</b> Aluminum Metallic	<b>3K</b> 3000k	<b>277</b> 277 volts	<b>0-10V</b> 0-10V Dimming	<b>BT</b> Bubble Trim
		<b>50</b> 50 watt (max)	<b>IG</b> Iron Gray	<b>35K</b> 3500k			<b>ELV</b> ELV Dimming
	<b>48</b> 48" diffuser 74" Min Height 75W Max	<b>XX</b> Specify Wattage Must be below max	<b>IR</b> Iron Rust	<b>4K</b> 4000k	<b>5K</b> 5000k	<b>PER</b> Perforated Shield Full	<b>GRL</b> Grill Trim
			<b>BK</b> Textured Black	<b>5K</b> 5000k			<b>PHSS</b> Perforated House Side Shield
			<b>WH</b> Textured White	<b>65K</b> 6500k			<b>RIB</b> Ribbon Trim
			<b>CC</b> Custom Color	<b>RED</b> Static Red			<b>ANG</b> Angle Trim
			<b>BLU</b> Static Blue	<b>GRN</b> Static Green			<b>4WIN</b> Four Window
			<b>GRN</b> Static Green	<b>AMB</b> Static Amber			
			<b>AMB</b> Static Amber	<b>RGBW</b> RGBW* Only available with 24" diffuser Contact factory for control details			