

STEEL SQUARE 20



3LED



6LED



SIDE

In-ground series. Fixtures consist of:

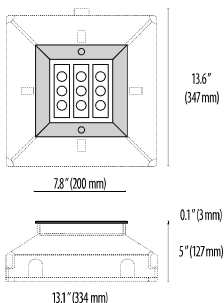
- Copper-free die-cast aluminum housing and die-cast corrosion-resistant AISI 316 stainless steel trim.
- Extra-clear, flat, tempered silk-screened soda-lime glass diffuser.
- Custom molded, anti-aging gasket(s).
- Stainless steel external hardware.
- Custom MCPCB utilized to maximize heat dissipation and promote a long LED life.
- High-transmittance transparent optics.
- Standard aimable optic system ($\pm 7^\circ$).
- $8^\circ \times 8^\circ$ beam angle (C/I).
- $10^\circ \times 45^\circ$ beam angle (ELL).
- Input voltage: 120-277 V (50 / 60 Hz), integral driver.
- Pre-wired cable connects luminaire with WATER-STOP connection system, suitable for through wiring. Included cable glands accept cables from $\varnothing 0.35"$ up to $\varnothing 0.63"$.
- Drive over rated <6 MPH, 4850 lbs weight
Static load up to 4409 lbs

- Each rough-in kit is provided with a protective faceplate to avoid possible deformations during the installation in concrete to simplify installation.
- Consult factory for dimming options, custom finishes (please specify RAL color), and non-cataloged CCT (Kelvin) options.
- Thermoplastic compression-molded rough-in kit can be ordered separately.
- For outdoor inground applications, provide drainage gravel at least 12" below the rough-in or a suitable drainage system.
- Product meets Buy American Act requirements within ARRA.
- 5-year warranty.
- Marine Grade finish.
- Suitable for Natatorium applications.



FINISHES

- INOX / Stainless steel / Matt
- BK-81 / Black / Textured
- AN-96 / Iron gray / Textured
- GR-94 / Aluminum metallic / Textured
- WH-87 / White / Textured
- RB-10 / Iron rust / Textured



STEEL SQUARE
20

Lumen Output	3K	4K	6K
Steel Sq 20 - 3LED ELL	144	199	199
Steel Sq 20 - 3LED 8°	179	246	246
Steel Sq 20 - 6 LED ELL	278	379	384
Steel Sq 20 - 6 LED 8°	346	487	476
Steel Sq 20 Side - 3 LED ELL	146	197	197
Steel Sq 20 Side - 3 LED 8°	182	245	245

4.2W/7.6W Max Wattage



Scan here
for installation
instructions

Order Guide - Steel Square 20



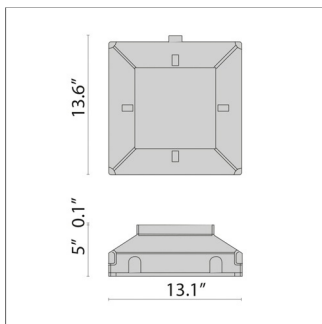
Order code example

SS20-6-7.6-ELL-SS-27K-120-NA

Light Emission	Wattage	Optics	Finish	Kelvin	Voltage	Controls	Accessories
3 3LED	4.2 4.2 watt (3LED Max)	8 8° Beam	SS Stainless Steel	27K 2700k	UNV 120-277V	NA Non Dimming	NS Non-Slip Glass
6 6LED	7.6 7.6 watt (6LED Max)	ELL 10°x45° Beam	AM Aluminum Metallic	3K 3000k		0-10V 0-10V Dimming	HEX Hexcell Louver
SIDE 3LED	XX Specify Wattage Must be below max		IG Iron Gray	35K 3500k		ELV ELV Dimming	TP Tamper Proof Hardware
			IR Iron Rust	4K 4000k			FRST Frosted glass lens
			BK Textured Black	6K 6000K			
			WH Textured White	RED Static Red			
			CC Custom Color	BLU Static Blue			
				GRN Static Green			
				AMB Static Amber			

INCLUDED ACCESSORIES

DESCRIPTION	FINISH	PART NUMBER
STEEL SQUARE 20		
Recessed Rough-in kit		310369



Performance in Lighting reserves the right to make all necessary changes without prior notice.

Performance in Lighting - 2621 Keys Pointe - Conyers, Georgia 30013 - USA - voice 770.822.2115 - info.usa@pil.lighting
www.performanceinlighting.com

Revision 02
10/22