

STEEL SQUARE 28



12LED



18LED

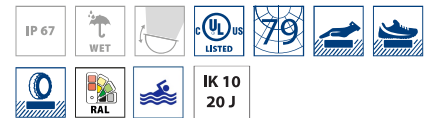


6LED

In-ground series. Fixtures consist of:

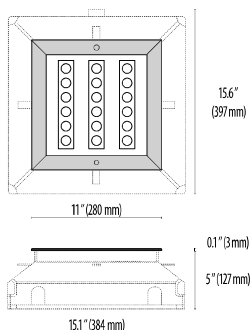
- Copper-free die-cast aluminum housing and die-cast corrosion-resistant AISI 316 stainless steel trim.
- Extra-clear, flat, tempered silk-screened soda-lime glass diffuser.
- Custom molded, anti-aging gasket(s).
- Stainless steel external hardware.
- Custom MCPCB utilized to maximize heat dissipation and promote a long LED life.
- Standard aimable optic system ($\pm 7^\circ$).
- High-transmittance transparent optics.
- 8° x 8° beam angle (C/I).
- 10° x 45° beam angle (ELL).
- Input voltage: 120-277 V (50 / 60 Hz), integral driver.
- Pre-wired cable connects luminaire with WATER-STOP connection system, suitable for through wiring. Included cable glands accept cables from $\varnothing 0.35"$ up to $\varnothing 0.63"$.
- Drive over rated <6 MPH, 4850 lbs weight
Static load up to 4409 lbs

- Each rough-in kit is provided with a protective faceplate to avoid possible deformations during the installation in concrete to simplify installation.
- Consult factory for dimming options, custom finishes (please specify RAL color), and non-cataloged CCT (Kelvin) options.
- Consult factory for frosted or non-slip glass options.
- Thermoplastic compression-molded rough-in kit can be ordered separately.
- For outdoor inground applications, provide drainage gravel at least 12" below the rough-in or a suitable drainage system.
- Product meets Buy American Act requirements within ARRA.
- 5-year warranty.
- Marine Grade finish.
- Suitable for Natatorium applications.



FINISHES

- INOX / Stainless steel / Matt
- BK-81 / Black / Textured
- AN-96 / Iron gray / Textured
- GR-94 / Aluminum metallic / Textured
- WH-87 / White / Textured
- RB-10 / Iron rust / Textured



STEEL SQUARE
28

Lumen Output	3K	4K	6K
Steel Sq 28 - 12 LED ELL	550	756	763
Steel Sq 28 - 12 LED 8°	686	929	939
Steel Sq 28 - 18 LED ELL	852	1146	1148
Steel Sq 28 - 18 LED 8°	1056	1425	1465
Steel Sq 28 Side - 6 LED ELL	277	364	368
Steel Sq 28 Side - 6 LED 8°	344	465	465

7W/15W/22W Max Wattage



Scan here
for installation
instructions

Order Guide - Steel Square 28



Order code example

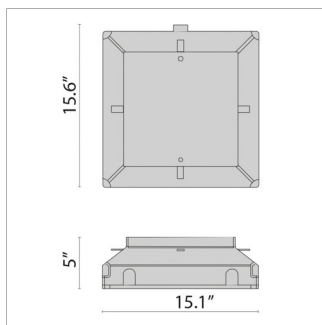
SS28-6-7-SS-3K-120-NA-NS

SS28-

Light Emission	Wattage	Optics	Finish	Kelvin	Voltage	Controls	Accessories
6 6LED	7 7.6 watt (6LED Max)	8 8° Beam	SS Stainless Steel	27K 2700k	UNV 120-277V	NA Non Dimming	NS Non-Slip Glass
12 12LED	15 15.3 watt (12LED Max)	ELL 10°x45° Beam	AM Aluminum Metallic	3K 3000k		0-10V 0-10V Dimming	HEX Hexcell Louver
18 18LED	22 22.4 watt (18LED Max)		IG Iron Gray	35K 3500k		ELV ELV Dimming	TP Tamper Proof Hardware
	XX Specify Wattage Must be below max		IR Iron Rust	4K 4000k			FRST Frosted glass lens
			BK Textured Black	6K 6000k			
			WH Textured White	RED Static Red			
			CC Custom Color	BLU Static Blue			
				GRN Static Green			
				AMB Static Amber			

INCLUDED ACCESSORIES

DESCRIPTION	FINISH	PART NUMBER
STEEL SQUARE 28 Recessed Rough-in kit		310374



Performance in Lighting reserves the right to make all necessary changes without prior notice.

Performance in Lighting - 2621 Keys Pointe - Conyers, Georgia 30013 - USA - voice 770.822.2115 - info.usa@pil.lighting
www.performanceinlighting.com

Revision 02
10/22