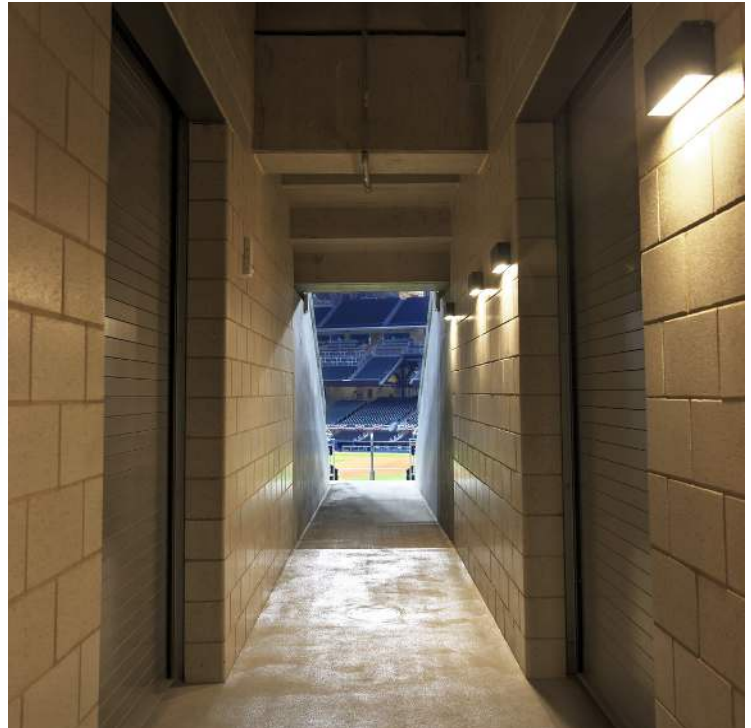
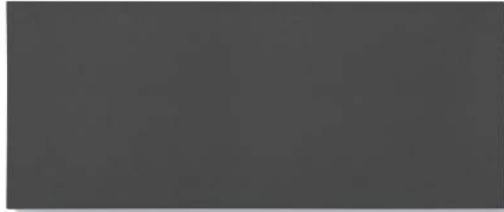


# MIMIK 30



Wall mount series. Fixtures consist of:

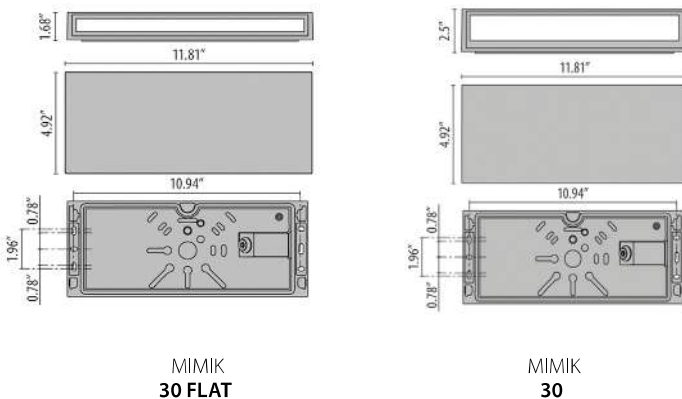
- Multi-step powder-coat painting process, optimized against UV rays and corrosion.
- Copper-free precision die-cast aluminum housing and mounting plate.
- Extra-clear, flat, tempered silk-screened soda-lime glass diffuser.
- Micro-prismatic patterned, flat, tempered silk-screened soda-lime glass diffuser (FLAT versions).
- Custom molded, anti-aging gasket(s).
- Stainless steel external hardware.
- Custom MCPCB utilized to maximize heat dissipation and promote a long LED life.
- High-transmittance transparent optics.
- DarkSky approved when ordered with single light emission only, and in 3000K or below.

- IESNA Type II light distribution (FLAT).
- IESNA Type II light distribution.
- IESNA Type III light distribution.
- IESNA Type IV light distribution.
- Input voltage: 120-277 V (50 / 60 Hz), integral 0-10 V dimming driver.
- Customizing facade faceplate available for MIMIK FLAT versions (ordered separately).
- Consult factory for dimming options, custom finishes (please specify RAL color), and non-cataloged CCT (Kelvin) options.
- 5-year warranty.
- Marine Grade finish.
- Suitable for Natatorium applications.
- Consult factory for any Buy American Act (BAA) or Build America Buy America Act (BABAA) requirements.



## FINISHES

- AN-96 / Iron gray / Textured
- GR-94 / Aluminum metallic / Textured
- WH-87 / White / Textured
- BK-81 / Black / Textured
- RB-10 / Iron rust / Textured



| LUMEN OUTPUT            |           | 27K  | 3K   | 35K  | 4K   | 5K   | 57K  |
|-------------------------|-----------|------|------|------|------|------|------|
| MIMIK 30<br>M TYPE<br>2 | 8W (MIN)  | 514  | 546  | 566  | 589  | 599  | 723  |
|                         | 22W       | 1439 | 1529 | 1586 | 1650 | 1677 | 2024 |
|                         | 36W (MAX) | 2399 | 2549 | 2644 | 2750 | 2796 | 3373 |
| MIMIK 30<br>M TYPE<br>3 | 8W (MIN)  | 525  | 558  | 577  | 601  | 611  | 737  |
|                         | 22W       | 1470 | 1562 | 1617 | 1682 | 1710 | 2063 |
|                         | 36W (MAX) | 2450 | 2603 | 2695 | 2803 | 2849 | 3438 |
| MIMIK 30<br>M TYPE<br>4 | 8W (MIN)  | 487  | 518  | 536  | 558  | 567  | 684  |
|                         | 22W       | 1364 | 1449 | 1501 | 1561 | 1587 | 1615 |
|                         | 36W (MAX) | 2276 | 2415 | 2501 | 2602 | 2645 | 3191 |

| LUMEN OUTPUT     |           | 27K  | 3K   | 35K  | 4K   | 5K   | 57K  |
|------------------|-----------|------|------|------|------|------|------|
| MIMIK 30<br>FLAT | 8W (MIN)  | 584  | 602  | 620  | 638  | 656  | 674  |
|                  | 14W       | 1022 | 1054 | 1085 | 1117 | 1148 | 1179 |
|                  | 20W (MAX) | 1461 | 1506 | 1551 | 1597 | 1552 | 1597 |



Scan here  
for installation  
instructions

Revision 22  
06/25

# Order Guide - Mimik 30

70 CRI STANDARD HOUSING  
80 CRI FLAT HOUSING  
OTHER OPTIONS AVAILABLE



Order code example

M30-10-T4-AM-27K-120V-NA-FG

M30-

| Housing Style | Wattage   | Optics  | Finish                            | Kelvin                            | Voltage                | Controls   | Accessories                             |   |  |
|---------------|---|---|-----------------------------------|-----------------------------------|------------------------|--|---|---|--|
| M30 Standard  | 8<br>8 watt<br>(Min Wattage)  | (standard only)<br>(leave blank for flat)<br><b>T2</b><br>Type II | <b>AM</b><br>Aluminum<br>Metallic | <b>27K</b><br>2700k               | <b>UNV</b><br>120-277V | <b>NA</b><br>Non Dimming   | <b>REM</b><br>Remote battery<br>back-up |   |  |
| M30F Flat     | <b>20</b><br>20 watt<br>(Max<br>Wattage<br>for Flat<br>Housing)     | <b>T3</b><br>Type III   | <b>IG</b><br>Iron Gray            | <b>3K</b><br>3000k                |                        |  |   | <b>0-10V</b><br>0-10V Dimming<br>Driver               | <b>FRST</b><br>Frosted glass   |
|               | <b>18</b><br>18 watt  | <b>T4</b><br>Type IV  | <b>IR</b><br>Iron Rust            | <b>35K</b><br>3500k               |                        |  |   | <b>ELV</b><br>120V Line-<br>Voltage<br>Dimming Driver | <b>PHC-B</b><br>Photocell Button   |
|               | <b>23</b><br>23 watt  |   | <b>BK</b><br>Textured Black       | <b>4K</b><br>4000k                |                        |  |   |   |  |
|               | <b>26</b><br>26 watt  |   | <b>WH</b><br>Textured White       | <b>5K</b><br>5000K                |                        |  |   |   | <b>GS</b><br>Glare Shield  |
|               | <b>36</b><br>36 watt<br>(Max<br>Wattage for<br>Standard<br>Housing) |   | <b>CC</b><br>Custom Color         | <b>57K</b><br>5700K               |                        |  |   |   | <b>FC</b><br>Facade Cover<br>(Flat Only)                                   |
|               | <b>XX</b><br>Specify<br>wattage<br>must be<br>below max             |   |                                   | <b>65K</b><br>6500K               |                        |  |   |   | <b>OCC</b><br>Occupancy Sensor   |
|               |   |   |                                   | <b>RGBW*</b><br>RGBW<br>flat only |                        |  |   |   | <b>CON2</b><br>(double-gang j-box,<br>adaptor plate and<br>1/2" knockouts) |
|               |   |   |                                   | *See<br>below<br>for<br>details   |                        | <b>CON4</b><br>(double-gang j-box,<br>adaptor plate and<br>1/2" knockouts)                       |   |   |  |
|               |   |   |                                   |                                   |                        | <b>BABAA</b><br>Build America Buy<br>America Act compliant<br>(not available for all<br>options) |   |   |  |

Performance in Lighting reserves the right to make all necessary changes without prior notice.

Performance in Lighting - 2621 Keys Pointe - Conyers, Georgia 30013 - USA - voice 770.822.2115 - info.usa@pil.lighting  
www.performanceinlighting.com

Revision 22  
06/25

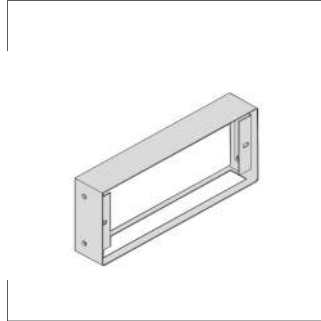
# MIMIK 30

---

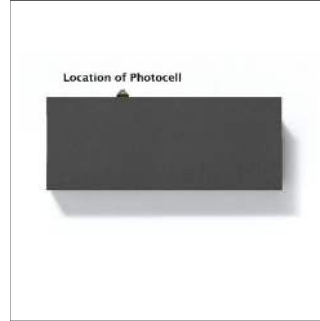
**OCC**



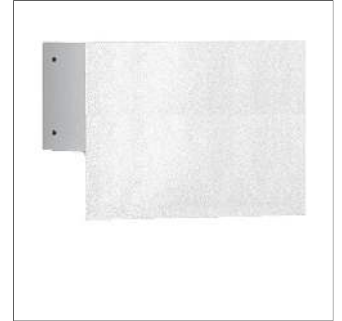
**Facade Cover**



**PHC-B**



**Glare Shield**



# REMOTE RGBW ACCESSORIES

## Power Supply



**17433**  
Kit driver 48V



**17096**  
Kit driver 48V WP

## RF Controls



**3104173**  
RGBW RF controller 4 channel  
(0.35A each CH)



**31041730**  
RGBW RF controller WP 4 channel  
(0.35A each CH)



**310429**  
RGBW hand held remote

## DMX Controls



**178973**  
RGBW DMX enabler/decoder 4  
channel (0.35A each CH)



**1789730**  
RGBW DMX enabler/decoder WP 4  
channel (0.35A each CH)



**11015**  
Terminating Resistor



**110150**  
Terminating Resistor WP