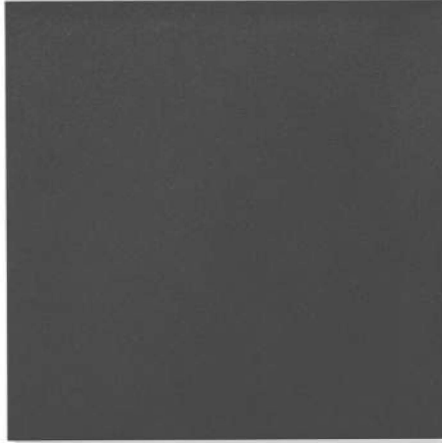


# MIMIK 20

SEE PAGE 4 FOR MIMIK 20 FLAT SPEC

## WALL MOUNT LUMINAIRE



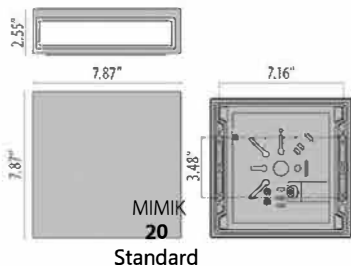
- Ceiling-, wall- and post- mount series. Fixtures consist of:
  - Multi-step powder-coat painting process, optimized against UV rays and corrosion.
  - Copper-free precision die-cast aluminum housing and mounting plate.
  - Extra-clear, flat, tempered silk-screened soda-lime glass diffuser.
  - Micro-prismatic patterned, flat, tempered silk-screened soda-lime glass diffuser (FLAT versions).
  - Custom molded, anti-aging gasket(s).
  - Stainless steel external hardware.
  - Custom MCPCB utilized to maximize heat dissipation and promote a long LED life.
  - High-transmittance transparent optics.
  - Single (M) or dual (B) light emission.
  - IESNA Type II light distribution.
  - IESNA Type III light distribution.
  - IESNA Type IV light distribution.
  - DarkSky approved when ordered with single light emission only, and in 3000K or below.

- Input voltage: 120-277 V (50 / 60 Hz), integral 0-10V dimming driver.
- Optional, integral, emergency battery-pack designed for a minimum operation of 90 minutes (EMPK versions).
- Customizing facade faceplate available for MIMIK FLAT versions (ordered separately).
- For bollard mount, order B0L or LB0L as an accessory for field mounting to bollard or as an option for factory mounting to bollard
- Consult factory for dimming options, custom finishes (please specify RAL color), and non-cataloged CCT (Kelvin) options.
- Optional clear plexiglass panel can be customized with logos for signage or wayfinding (LINE BOLLARD). Consult factory for more information.
- 5-year warranty.
- Marine Grade finish.
- Suitable for Natatorium applications.
- Consult factory for any Buy American Act (BAA) or Build America Buy America Act (BABAA) requirements.



### FINISHES

- AN-96 / Iron gray / Textured
- GR-94 / Aluminum metallic / Textured
- WH-87 / White / Textured
- BK-81 / Black / Textured
- RB-10 / Iron rust / Textured



Lumen Output		2700K	3000K	3500K	4000K	5000K
MIMIK 20 T2	15W	1373	1335	1396	1408	1420
MIMIK 20 T2	26W	2232	2256	2274	2292	2310
MIMIK 20 T2 EMPK	15W	1373	1335	1396	1408	1420
MIMIK 20 T3	15W	1385	1396	1407	1418	1429
MIMIK 20 T3	26W	2255	2273	2291	2309	2327
MIMIK 20 T3 EMPK	15W	1385	1396	1407	1418	1429
MIMIK 20 T4	15W	1302	1319	1329	1340	1351
MIMIK 20 T4	26W	2132	2149	2166	2183	2200
MIMIK 20 T4 EMPK	15W	1302	1319	1329	1340	1351



Scan here  
for installation  
instructions

Revision 21  
03/26



Order code example

M20-M-15W-T4-AM-27K-UNV-NA-FC

--	--	--	--	--	--	--	--	--

Housing Style	Light Emission	Wattage	Optics	Finish	CRI	Kelvin/ Static Colors	Voltage	Controls	Accessories
M20 Standard	M (One-Way)	15W 15 watt (with EMPK max)	T2 Type II	AM Aluminum Metallic	blank 70 CRI (Standard)	27K 2700k	UNV 120-277V	NA Non Dimming	EMPK Integral 15W Emergency Battery Back up (not available with flat housing or with phc/occ)
		26W 26 watt (standard) Max	T3 Type III	IG Iron Gray	80 80 CRI	3K 3000k		0-10V 0-10V Dimming	
		XX Specify Wattage Must be below max	T4 Type IV	IR Iron Rust	90* 90 CRI	35K 3500k		ELV 120V Line- Voltage Dimming Driver	CWEMPK Remote Cold Weather Emergency Battery Back up -20°C through 55°C
				BK Textured Black		4K 4000k			FC Facade cover
				WH Textured White	*Contact Factory For Availability	5K* 5000K Consult factory for MOQ			FRST Frosted glass
				CC Custom Color					EGR Egress Double Housing
									PHC-B Photocell Button (not available with empk)
									OCC Occupancy Sensor (not available with empk)
									REM Remote battery back up
									BOL ** 40" Bollard
									LBOL ** 40" Line Bollard
									XXBOL ** Specify Bollard Height 40" Max 12" Min
									XXLBOL ** Specify Line Bollard Height 40" Max 12"Min
									BABAA Build America Buy America Act compliant (not available for all options)
									CON2 (double-gang j-box, adaptor plate and 1/2" knockouts)
									CON4 (double-gang j-box, adaptor plate and 3/4" knockouts)

\*\* Order for bollard mounting

# MIMIK 20

**40" Bollard option**



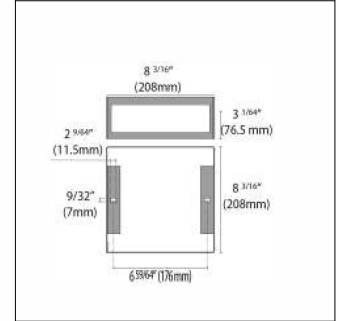
**40" Line Bollard option**



**OCC**



**Facade Cover**



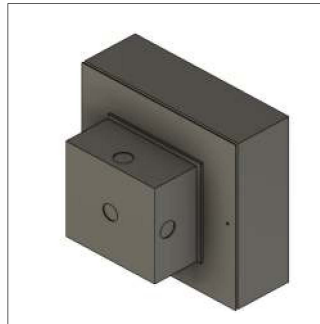
**PHC-B**



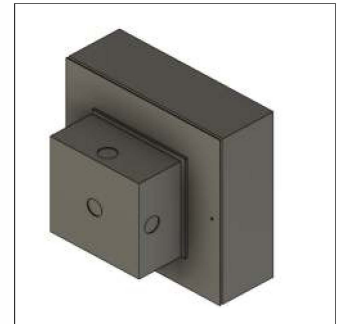
**Egress Double Housing**



**CON2 (1/2")**

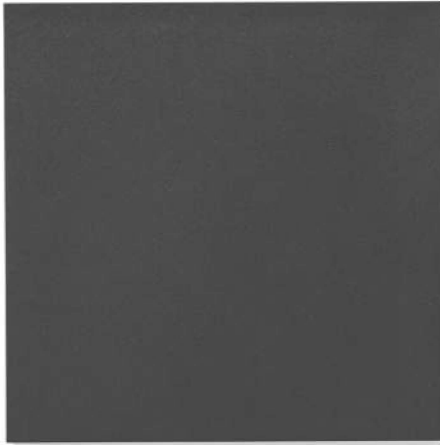


**CON4 (3/4")**



# MIMIK 20 FLAT

## WALL MOUNT LUMINAIRE



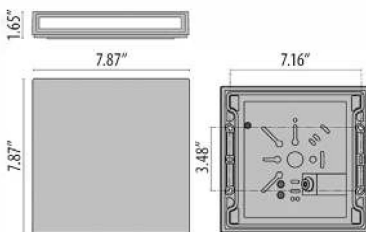
- Ceiling-, wall- and post- mount series. Fixtures consist of:
- Multi-step powder-coat painting process, optimized against UV rays and corrosion.
  - Copper-free precision die-cast aluminum housing and mounting plate.
  - Extra-clear, flat, tempered silk-screened soda-lime glass diffuser.
  - Micro-prismatic patterned, flat, tempered silk-screened soda-lime glass diffuser (FLAT versions).
  - Custom molded, anti-aging gasket(s).
  - Stainless steel external hardware.
  - Custom MCPCB utilized to maximize heat dissipation and promote a long LED life.
  - High-transmittance transparent optics.
  - Single (M) or dual (B) light emission.
  - IESNA Type II light distribution (FLAT).
  - DarkSky approved when ordered with single light emission only, and in 3000K or below.

- Input voltage: 120-277 V (50 / 60 Hz), integral 0-10 V dimming driver.
- Optional, integral, emergency battery-pack designed for a minimum operation of 90 minutes (EMPK versions).
- Customizing facade faceplate available for MIMIK FLAT versions (ordered separately).
- For bollard mount, order BOL or LBOL as an accessory for field mounting to bollard or as an option for factory mounting to bollard
- Consult factory for dimming options, custom finishes (please specify RAL color), and non-cataloged CCT (Kelvin) options.
- Optional clear plexiglass panel can be customized with logos for signage or wayfinding (LINE BOLLARD). Consult factory for more information.
- 5-year warranty.
- Marine Grade finish.
- Suitable for Natatorium applications.
- Consult factory for any Buy American Act (BAA) or Build America Buy America Act (BABAA) requirements.



### FINISHES

- AN-96 / Iron gray / Textured
- GR-94 / Aluminum metallic / Textured
- WH-87 / White / Textured
- BK-81 / Black / Textured
- RB-10 / Iron rust / Textured



MIMIK  
20 FLAT

Lumen Output	2700K	3000K	3500K	4000K	5000K
MIMIK 20 FLAT M - 14W	919	960	1001	1042	1083
MIMIK 20 FLAT B - 25W	1847	1930	2012	2095	2178



Scan here  
for installation  
instructions

# Order Guide - Mimik 20 Flat



Order code example

M20F-M-14W-T2-AM-27K-UNV-NA-FC

80 CRI STANDARD  
OTHER OPTIONS AVAILABLE

M20F-									
Housing Style	Light Emission	Wattage	Optics	Finish	CRI	Kelvin/ Static Colors	Voltage	Controls	Accessories
<b>M20F Flat</b>  <small>*Flat Housing is only suitable for T2 Distribution</small>	<b>M</b> (One-Way)  <b>B</b> (Two-Way)	<b>14W</b> 14 watt (M Max)	<b>T2</b> Type II	<b>AM</b> Aluminum Metallic	blank 80 CRI (Standard)	<b>27K</b> 2700k	<b>UNV</b> 120-277V	<b>NA</b> Non Dimming  <b>0-10V</b> 0-10V Dimming  <b>ELV</b> 120V Line-Voltage Dimming Driver	<b>CWEMPK</b> Remote Cold Weather Emergency Battery Back up -20°C through 55°C  <b>FC</b> Facade cover  <b>FRST</b> Frosted glass  <b>EGR</b> Egress Double Housing  <b>PHC-B</b> Photocell Button (not available with empk)  <b>OCC</b> Occupancy Sensor (not available with empk)  <b>REM</b> Remote battery back up  <b>BOL**</b> 40" Bollard  <b>LBOL**</b> 40" Line Bollard  <b>XXBOL**</b> Specify Bollard Height 40" Max 12" Min  <b>XXLBOL**</b> Specify Line Bollard Height 40" Max 12"Min  <b>BABAA</b> Build America Buy America Act compliant (not available for all opitons)  <b>CON2</b> (double-gang j-box, adaptor plate and 1/2" knockouts)  <b>CON4</b> (double-gang j-box, adaptor plate and 3/4" knockouts)
		<b>25W</b> 25 watt (B Max)  <b>XX</b> Specify Wattage Must be below max		<b>IG</b> Iron Gray  <b>IR</b> Iron Rust  <b>BK</b> Textured Black  <b>WH</b> Textured White  <b>CC</b> Custom Color		<b>90*</b> 90 CRI  <b>*Contact Factory For Availability</b>			
						<b>RED</b> Satic Red  <b>GRN</b> Static Green  <b>BLU</b> Static Blue  <b>AMB</b> Static Amber			

\*\* Order for bollard mounting

# MIMIK 20 FLAT

**40" Bollard option**



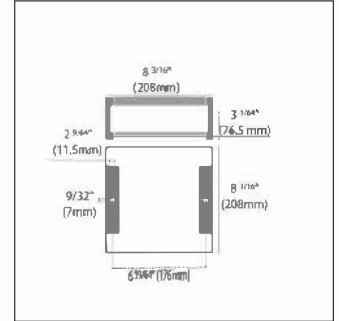
**40" Line Bollard option**



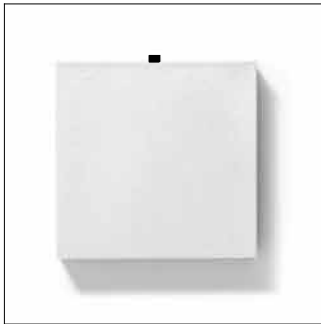
**OCC**



**Facade Cover**



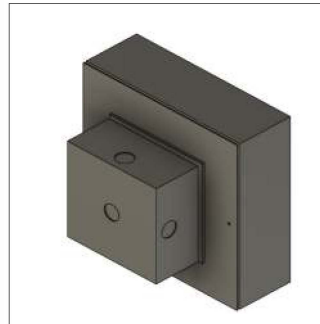
**PHC-B**



**Egress Double Housing**



**CON2 (1/2")**



**CON4 (3/4")**

