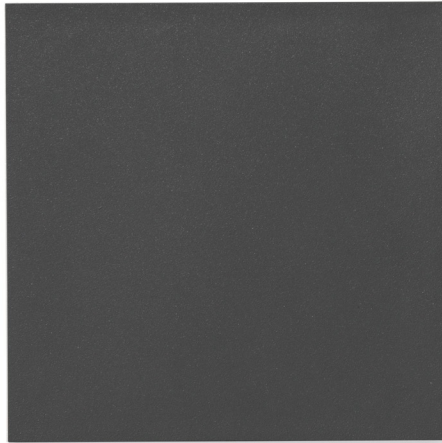


# MIMIK 20



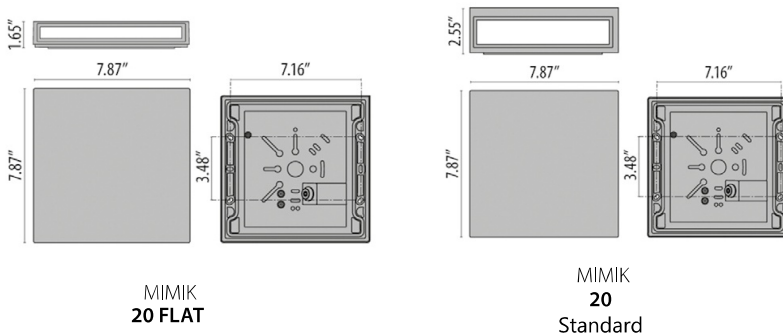
- Ceiling-, wall- and post- mount series. Fixtures consist of:
- Multi-step powder-coat painting process, optimized against UV rays and corrosion.
  - Copper-free precision die-cast aluminum housing and mounting plate.
  - Extra-clear, flat, tempered silk-screened soda-lime glass diffuser.
  - Micro-prismatic patterned, flat, tempered silk-screened soda-lime glass diffuser (FLAT versions).
  - Custom molded, anti-aging gasket(s).
  - Stainless steel external hardware.
  - Custom MCPCB utilized to maximize heat dissipation and promote a long LED life.
  - High-transmittance transparent optics.
  - Single (M) or dual (B) light emission.
  - IESNA Type II light distribution (FLAT).
  - IESNA Type II light distribution.
  - IESNA Type III light distribution.
  - IESNA Type IV light distribution.

- Input voltage: 120-277 V (50 / 60 Hz), integral 0-10 V dimming driver.
- Optional, integral, emergency battery-pack designed for a minimum operation of 90 minutes (EMPK versions).
- Customizing facade faceplate available for MIMIK FLAT versions (ordered separately).
- Post accessory available for MIMIK 20 (ordered separately).
- Consult factory for dimming options, custom finishes (please specify RAL color), and non-cataloged CCT (Kelvin) options.
- Optional clear plexiglass panel can be customized with logos for signage or wayfinding (LINE BOLLARD). Consult factory for more information.
- Product meets Buy American Act requirements within ARRA.
- 5-year warranty.
- Marine Grade finish.
- Suitable for Natatorium applications.



## FINISHES

- AN-96 / Iron gray / Textured
- GR-94 / Aluminum metallic / Textured
- WH-87 / White / Textured
- BK-81 / Black / Textured
- RB-10 / Iron rust / Textured



LUMEN OUTPUT		2700K	3000K	3500K	4000K
MIMIK 20 M T2	15W	1373	1385	1396	1408
MIMIK 20 M T2	26W	2238	2256	2274	2292
MIMIK 20 M T2 EMPK	15W	1373	1385	1396	1408
MIMIK 20 M T3	15W	1385	1396	1407	1418
MIMIK 20 M T3	26W	2255	2273	2291	2309
MIMIK 20 M T3 EMPK	15W	1385	1396	1407	1418
MIMIK 20 M T4	15W	1308	1319	1329	1340
MIMIK 20 M T4	26W	2132	2149	2166	2183
MIMIK 20 M T4 EMPK	15W	1308	1319	1329	1340
MIMIK 20 FLAT M	14W	919	960	1001	1042
MIMIK 20 FLAT B	25W	1847	1930	2012	2095

WATTAGE	
MIMIK 20 M T2	15W
MIMIK 20 M T2	26W
MIMIK 20 M T3	15W
MIMIK 20 M T3	26W
MIMIK 20 M T4	15W
MIMIK 20 M T4	26W
MIMIK 20 FLAT M	14W
MIMIK 20 FLAT B	25W



40" Bollard option



40" Line Bollard option

## Order Guide - Mimik 20

Order code example

M20-M-15W-T4-AM-27K-120V-NA-FC

M20								
Housing Style	Light Emission	Wattage	Optics	Finish	Kelvin/ Static Colors	Voltage	Controls	Accessories
M20 Standard	M (One-Way)	15 15 watt (with em max)	(standard only) (leave blank for flat) T2 Type II	AM Aluminum Metallic	27K 2700k	120 120 volts	NA Non Dimming	(See pictures below)
M20F Flat	B (Two-Way) (Flat only)	26 26 watt max	T3 Type III	IG Iron Gray	3K 3000k	277 277 volts	0-10V 0-10V Dimming	EMPK Integral 15W Emergency Battery Back up (not available with flat housing)
		14 14 watt (Flat only)	T4 Type IV	IR Iron Rust	35K 3500k		ELV ELV Dimming	FC Facade cover
		25 25 watt (Flat only) max		BK Textured Black	4K 4000k			FG Frosted glass
		XX Specify Wattage Must be below max		WH Textured White	RED Satic Red (Flat Only)			EGR Egress Double Housing
				CC Custom Color	GRN Static Green (Flat Only)			PHC-B Photocell Button
					BLU Static Blue (Flat Only)			OCC Occupancy Sensor
					AMB Static Amber (Flat Only)			REM Remote battery back up
								BOL 40" Bollard
								LBOL 40" Line Bollard