

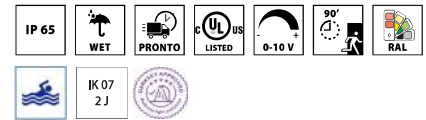
# Q-WALL



Wall mount series. Fixtures consist of:

- Multi-step powder-coat painting process, optimized against UV rays and corrosion.
- Copper-free extruded aluminum housing and copper-free precision die-cast aluminum ring/faceplate, bracket (WALL versions) and mounting plate.
- Copper-free die-cast aluminum heat-sink passive cooling system.
- Extra-clear, tempered, silk-screened, flat glass diffuser.
- Custom molded, anti-aging gasket(s).
- Stainless steel external hardware.
- High-efficiency COB, combined with an optimized passive cooling system, provides a long LED life.
- Internal specular reflector coated with 5-layers of PVD 99.98% pure aluminum providing >95% reflection.
- Single (M) or dual (B) light emission.
- Circular Intensive beam angle (C/I).
- Circular Medium beam angle (C/M).
- Circular Wide beam angle (C/W).
- Input voltage: 120-277V (50 / 60 Hz), integral 0-10 V dimming driver.
- DarkSky approved when ordered with single light emission only, and in 3000K or below.

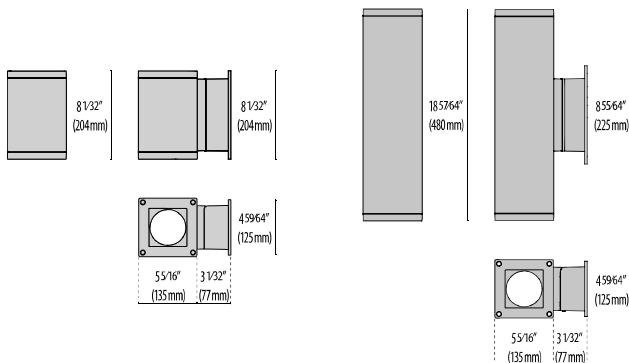
- Optional, integral, emergency battery-pack designed for a minimum operation of 90 minutes (EMPK versions).
- Standard hinged bracket for ease of installation: wiring can be completed by mounting the bracket ahead of the luminaire, then sliding luminaire onto the bracket using quick connectors system, then securing the luminaire by tightening the stainless steel set screws (WALL versions only).
- Five optional finishes available. Add finish suffix to any part number for textured Black (BK-81), Iron gray (AN-96), Aluminum metallic (GR-94), White (WH-87), Iron rust (RB-10) when not standard.
- Consult factory for dimming options, marine-grade, custom finishes (please specify RAL color), and non-cataloged CCT (Kelvin) options including static colors.
- 5-year warranty.
- Marine Grade finish.
- Suitable for Natatorium applications.
- Consult factory for any Buy American Act (BAA) or Build America Buy America Act (BABAA) requirements.



## FINISHES

- AN-96 / Iron gray / Textured
- GR-94 / Aluminum metallic / Textured
- WH-87 / White / Textured
- BK-81 / Black / Textured
- RB-10 / Iron rust / Textured

Scan here  
for installation  
instructions



Q-WALL  
MINI

Q-WALL

# Order Guide - Q-Wall



Order code example

**QW-M-15-C/I-AM-3K-UNV-0-10V**

Series	Light Emission	Wattage	Optics	Finish	Kelvin	Voltage	Controls	Accessories
<b>QW</b> Q-Wall	<b>M</b> Mono Directional (One-Way)	<b>5W</b> 5 watt (mini only)	<b>C/I</b> 20 degrees	<b>AM</b> Aluminum Metallic	<b>27K</b> 2700K	<b>UNV</b> 120-277V	<b>0-10V</b> 0-10V Dimming Driver (standard)	<b>EMPK</b> Integral Emergency Battery Back up (M Only) Not Suitable for Mini
	<b>B</b> Bi- Directional (Two-Way)	<b>10W</b> 10 watt (mini only)	<b>C/M</b> 40 degrees	<b>IG</b> Iron Gray	<b>3K</b> 3000K			
	<b>MINI-M</b> 8" Housing	<b>15</b> 15 watt (M)	<b>C/EW</b> 85 degrees	<b>IR</b> Iron Rust	<b>35K</b> 3500K			
	<b>MINI-B</b> 8" Housing	<b>25</b> 25 watt (M)	<b>NB</b> Narrow Beam	<b>BK</b> Textured Black	<b>4K</b> 4000K			
		<b>30</b> 30 watt (M max)	<b>FT</b> Forward throw film	<b>WH</b> Textured White	<b>5K</b> 5000K			
		<b>18</b> 18 watt (B)		<b>CC</b> Custom Color	<b>BLUE</b> Blue			
	<b>MAXI 48"</b> <b>HOUSING</b> <b>OPTION</b> <b>AVAILABLE</b>	<b>40</b> 40 watt (B)			<b>RED</b> Red			
		<b>60</b> 60 watt (B max)			<b>GREEN</b> Green			
		<b>XX</b> Specify wattage must be below max			<b>AMBER</b> Amber 16W M Max 32W B Max			
					<b>RGBW</b> RGBW Consult Factory for control details			

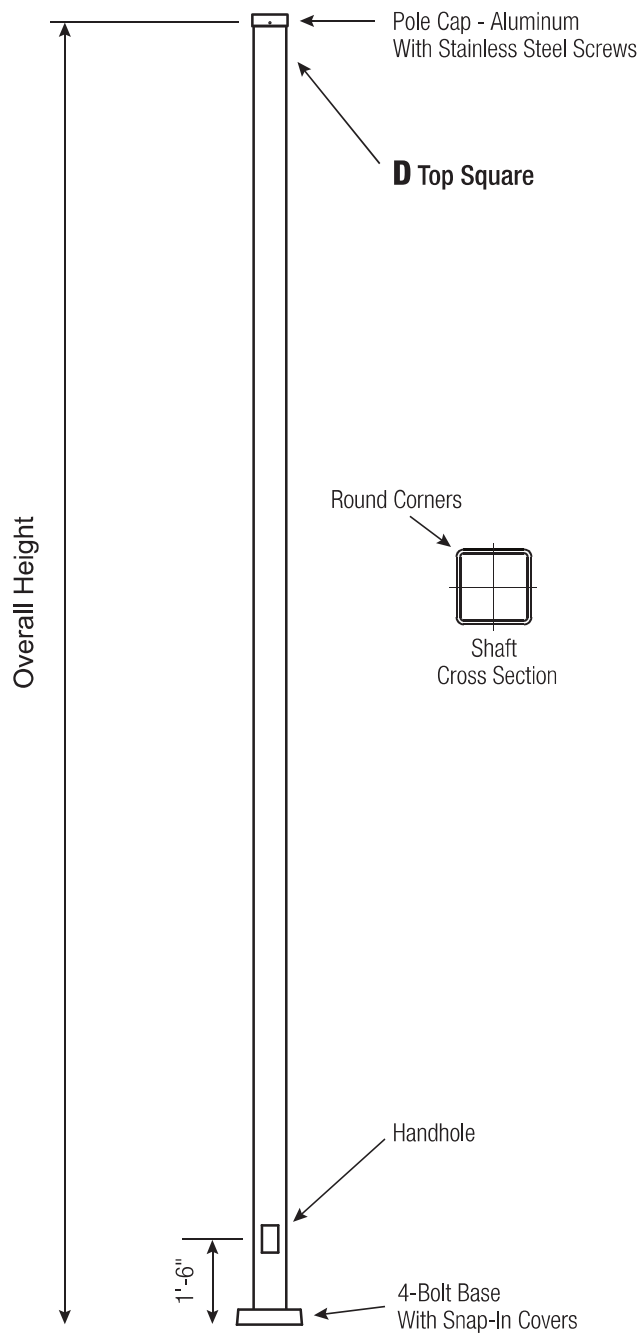
80 CRI STANDARD - OTHER OPTIONS AVAILABLE

Performance in Lighting reserves the right to make all necessary changes without prior notice.

Performance in Lighting - 2621 Keys Pointe - Conyers, Georgia 30013 - USA - voice 770.822.2115 - info.usa@pil.lighting  
www.performanceinlighting.com

Revision 22  
06/25

# Pole Details - 4" Square Straight Aluminum Pole



# RGBW CONTROL ACCESSORIES

DESCRIPTION	FINISH	PART NUMBER
<b>Power Supply</b>		
Kit driver 48V WP		<b>17347</b>
<b>RF Controls</b>		
RGBW RF controller 4 channel (0.35A each CH)		<b>3104173</b>
RGBW RF controller WP 4 channel (0.35A each CH)		<b>31041730</b>
RGBW hand held remote		<b>310429</b>
<b>DMX Controls</b>		
RGBW DMX enabler/decoder 4 channel (0.35A each CH)		<b>178973</b>
RGBW DMX enabler/decoder WP 4 channel (0.35A each CH)		<b>1789730</b>
Terminating resistor		<b>11015</b>
Terminating resistor WP		<b>110150</b>

RGBW CONTROL ACCESSORIES ARE  
TO BE INSTALLED IN REMOTE LOCATION

NON-INTEGRAL INSTALLATION

## RF Controls



17347



3104173



31041730



310429

## DMX Controls



17347



178973



1789730



11015



110150

# Q-WALL LUMEN VALUES

---

Lumen Output	27K	3K	35K	4K	5K
Q-WALL M 20° 15W	1395	1440	1485	1530	1575
Q-WALL M 20° 25W	2325	2400	2475	2550	2625
Q-WALL M 20° 30W	2786	2878	2969	3061	3152
Q-WALL M 40° 15W	1380	1425	1470	1515	1560
Q-WALL M 40° 25W	2300	2375	2450	2525	2600
Q-WALL M 40° 30W	2772	2863	2954	3045	3136
Q-WALL M 85° 15W	1410	1455	1500	1545	1590
Q-WALL M 85° 25W	2350	2425	2500	2575	2650
Q-WALL M 85° 30W	2805	2898	2991	3084	3177
Q-WALL B 20° 18W	1674	1728	1782	1836	1890
Q-WALL B 20° 40W	3720	3840	3960	4080	4200
Q-WALL B 20° 60W	5571	5755	5938	6122	6305
Q-WALL B 40° 18W	1647	1710	1773	1836	1899
Q-WALL B 40° 40W	3660	3800	3940	4080	4220
Q-WALL B 40° 60W	5572	5725	5907	6090	6272
Q-WALL B 85° 18W	1692	1746	1800	1854	1908
Q-WALL B 85° 40W	3760	3880	4000	4120	4240
Q-WALL B 85° 60W	5610	5725	5907	6090	6272