

# QUASAR 10



Wall effect series. Fixtures consist of:

- Multi-step powder-coat painting process, optimized against UV rays and corrosion.
- Copper-free precision die-cast aluminum housing and mounting plate.
- Extra-clear, flat, tempered silk-screened soda-lime glass diffuser.
- Custom molded, anti-aging gasket(s).
- Stainless steel external hardware.
- Custom MCPCB utilized to maximize heat dissipation and promote a long LED life.
- Wall effects light emission.

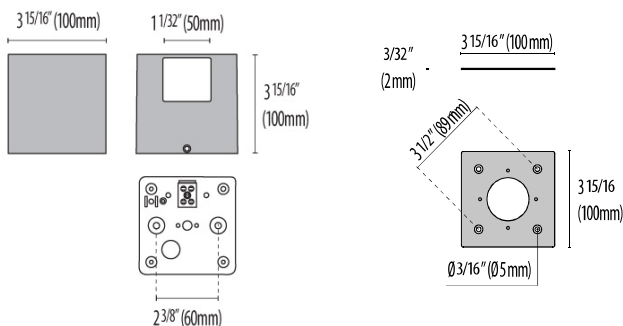
- Input voltage: 120-277 V (50 / 60 Hz), integral driver.
- Junction box mounting plate included (for 4" octagon box only, provided by others).
- Consult factory for dimming options, custom finishes (please specify RAL color), and non-cataloged CCT (Kelvin) options including static colors.
- Consult factory for custom beams options.
- 5-year warranty.
- Marine Grade finish.
- Consult factory for any Buy American Act (BAA) or Build America Buy America Act (BABAA) requirements.



IK 02  
0.2J

## FINISHES

- AN-96 / Iron gray / Textured
- GR-94 / Aluminum metallic / Textured
- WH-87 / White / Textured
- BK-81 / Black / Textured
- RB-10 / Iron rust / Textured



Lumen Output	27K	3K	35K	4K	5K
Quasar 10 1NB+1WB 5W	99	113	127	141	155
Quasar 10 1NB+1WB 10W	244	258	272	287	301
Quasar 10 1WB 3.5W	89	100	111	122	133
Quasar 10 1WB 5W	208	220	232	244	256
Quasar 10 2WB 5W	172	193	214	235	256
Quasar 10 2WB 10W	404	428	452	476	500
Quasar 10 4WB 10W	293	329	365	402	438

QUASAR  
10

Scan here  
for installation  
instructions



Revision 14  
06/25

# Order Guide - Quasar 10



Order code example

**Q10-2NB-5W-WH-6K-UNV-NA**

Series	Light Emission	Wattage	Finish	Kelvin	Voltage	Controls	Accessories	
<b>Q10</b> Quasar 10	<b>1NB+1WB</b> 1 - Narrow Beam + 1 - Wide Beam	<b>3.5W</b> 3.5 watt (1 Window)	<b>AM</b> Aluminum Metallic	<b>27K</b> 2700K	<b>UNV</b> 120-277V	<b>NA</b> Non Dimming	<b>BABAA</b> Build America Buy America Act Compliant (not available for all options)	
	<b>1NB</b> 1 - Narrow Beam	<b>5W</b> 5 watt (1 or 2 Windows)	<b>IG</b> Iron Gray	<b>3K</b> 3000K				
	<b>2NB</b> 2- Narrow Beam @180°	<b>8W</b> 8 Watt (3 Window)	<b>IR</b> Iron Rust	<b>35K</b> 3500K				
	<b>1WB</b> 1 - Wide Beam	<b>10W</b> 10 watt (2,3,or 4 Window max)	<b>BK</b> Textured Black	<b>4K</b> 4000K				
	<b>2WB</b> 2- Wide Beam @180°		<b>WH</b> Textured White	<b>6K</b> 6000K				
	<b>3WB</b> 3- Wide Beam		<b>CC</b> Custom Color	<b>RED</b> Static Red				<b>ELV</b> 120V Line-Voltage Dimming
	<b>3NB</b> 3- Narrow beam		<b>GRN</b> Static Green	<b>For more Options Contact Factory</b>				
	<b>4WB</b> 4- Wide Beam		<b>BLU</b> Static Blue					
	<b>4NB</b> 4- Narrow Beam		<b>AMB</b> Static Amber					
	<b>XX</b> Specify Beams 4 Window Max							

80 CRI STANDARD - OTHER OPTIONS AVAILABLE

Performance in Lighting reserves the right to make all necessary changes without prior notice.

Performance in Lighting - 2621 Keys Pointe - Conyers, Georgia 30013 - USA - voice 770.822.2115 - info.usa@pil.lighting  
www.performanceinlighting.com

Revision 14  
06/25