

GUELL 1



Long-lasting energy-efficient architectural, landscape and professional flood light series. Fixtures consist of:

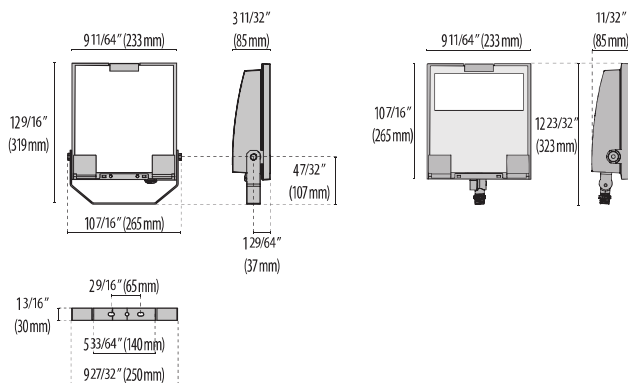
- Copper-free precision die-cast aluminum housing, and adjustable steel mounting bracket.
- Extra-clear, flat, tempered silk-screened soda-lime glass diffuser.
- Custom molded, anti-aging gasket(s).
- Stainless steel external hardware.
- High-efficiency COB, combined with an optimized passive cooling system, provides a long LED life.
- Internal specular reflector coated with 5-layers of PVD 99.98% pure aluminum providing >95% reflection.
- NEMA 5H x 5V light distribution (C/W)
- NEMA 7H x 5V light distribution (S/W).
- NEMA 6H x 5V light distribution (Type II).
- Input voltage: 120-277V (50 / 60 Hz), integral 0-10 V dimming driver.
- Pre-wired factory sealed cable for external electrical connection included. (5.5' standard)

- Standard quick release latch(es) allow for tool-free access.
- Standard robust 1/2" NPS knuckle mount with 180° adjustable swivel arm (SA versions) and rugged, locking teeth for a simplified installation.
- Louver, frosted glass, protective grid, wall support 19.69" / 39.37", single or double pole top support, and matching junction box plate accessories available (ordered separately).
- Consult factory for dimming options, custom finishes (please specify RAL color), and non-cataloged CCT (Kelvin) options.
- Consult factory for custom pre-wired factory sealed cable length options.
- 5-year warranty.
- Marine Grade finish.
- Suitable for Natatorium applications.
- Consult factory for any Buy American Act (BAA) or Build America Buy America Act (BABAA) requirements.



FINISHES

- GR-94 / Aluminum metallic / Textured
- RB-10 / Iron rust / Textured
- BK-81 / Black / Textured
- AN-96 / Iron gray / Textured
- WH-87 / White / Textured



GUELL
1

GUELL
1 SA

Lumen Output	3000K	4000K
GUELL 1 C/IW 45W	4165	4315
GUELL 1 C/IW 55W	4989	5439
GUELL 1 S/W 45W	4441	4591
GUELL 1 S/W 55W	5569	5719
GUELL 1 T2 45W	4274	4424
GUELL 1 T2 55W	5434	5584

Scan here
for installation
instructions



Revision 16
06/25

Order Guide - Guell One



Order code example

GU1

GU1

Housing Style	Wattage	Optics	Finish	Kelvin	Voltage	Controls	Accessories
YO Yoke SA Swivel	45 45 watt 55 55 watt (max) XX Specify Wattage Must be below max	C/IW nema 5Hx5V S/W nema 7Hx5V A/W nema 6Hx5V	AM Aluminum Metallic IG Iron Gray IR Iron Rust BK Textured Black WH Textured White CC Custom Color	2K 2000k 27K 2700k 3K 3000k 35K 3500k 4K 4000k 5K 5000k 65K 6500k RED Static Red GRN Static Green BLU Static Blue RGBW* RGBW *See below for control details	UNV 120-277V	NA Non Dimming 0-10V 0-10V Dimming Driver ELV 120V Line-Voltage Dimming Driver For more Options Contact Factory	FRST Frosted glass lens GRID Protective Glass Grid Cover WS20" Wall support 20" WS40" Wall support 40" SPT Single Pole top adaptor DPT Double pole top adaptor Jbox Plate Jbox cover (Yoke Mount Only) LVR Louver Asymmetrical Not suitable for C/IW LVR2 Louver Symmetrical Not suitable for C/IW H/L Hi/Lo Occupancy Sensor OCC On/off Occupancy Sensor PHC Button Style photocell PEN1XX Single fixture pendant Specify pendant length PEN2XX Double fixture pendant Specify pendant length BABAA Build America Buy America Act compliant (not available for all options) PENDANT DETAILS SHOWN BELOW

80 CRI STANDARD - OTHER OPTIONS AVAILABLE

OPTIONAL ACCESSORIES

DESCRIPTION

GUELL 1

Frosted glass GUELL 1	FRST
Protective grid GUELL 1	GRID
Wall support 500 mm/19.69" GUELL 1/2	WS20"
Wall support 1000 mm/39.37" GUELL 1/2	WS40"
Single pole top support GUELL 1	SPT
Double pole top support GUELL 1	DPT
Plate Cover JBox	JBOX

GUELL 1 S/W

Louvre GUELL 1 Symmetrical (NOT SUITABLE FOR C/IW) LVR2

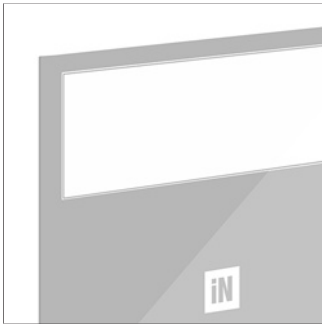
GUELL 1 A/W

Louvre GUELL 1 Asymmetrical (NOT SUITABLE FOR C/IW) LVR

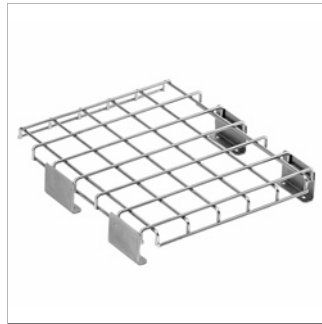
Occupancy Sensor Hi/Lo HI/LO

Occupancy Sensor On/Off OCC

Button Style Photocell PHC



FRST - Frosted Glass
14173294



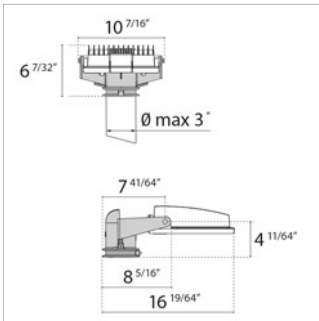
GRID - Protective Cover
14172902



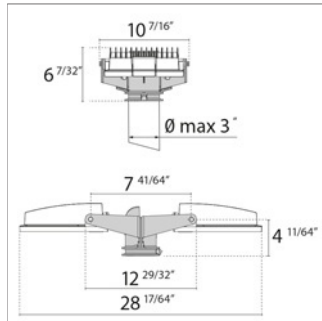
WS20" - Wall Support 20"
14173394



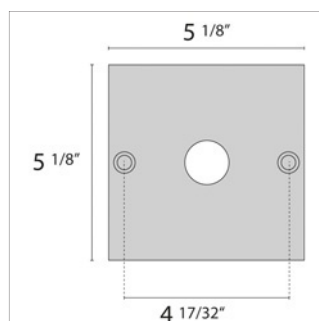
WS40" - Wall Support 40"
14173494



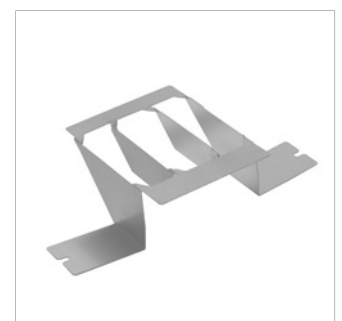
SPT - Single Pole Top Adaptor
14453194



DPT - Double Pole Top Adaptor
14453294



JBOX - Plate Cover
07957
(Not suitable for Swivel Option)



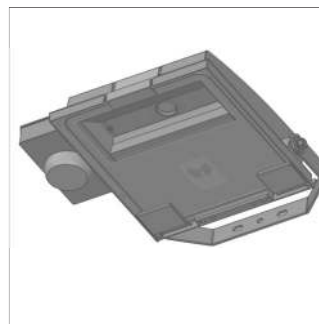
LVR - Louver Asymmetrical
14173120
(Not suitable for C/IW Option)



LVR2 - Louver Symmetrical
14173020
(Not suitable for C/IW Option)



H/L - Occupancy Sensor Hi/Lo



OCC - Occupancy Sensor On/Off



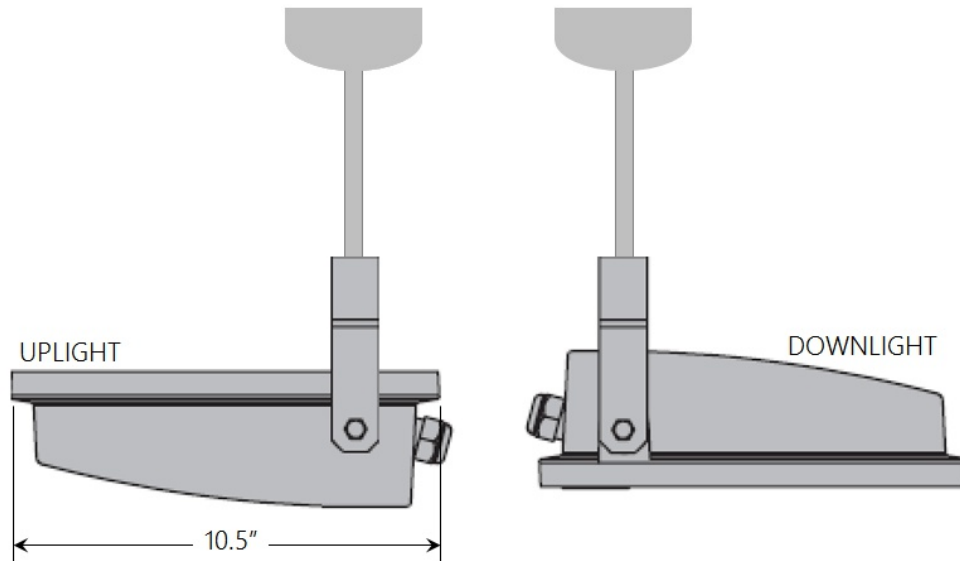
PHC - Button Style Photocell

GUELL PENDANTS*

PEN1

GUELL 1 & GUELL 2 – Single fixture pendant*

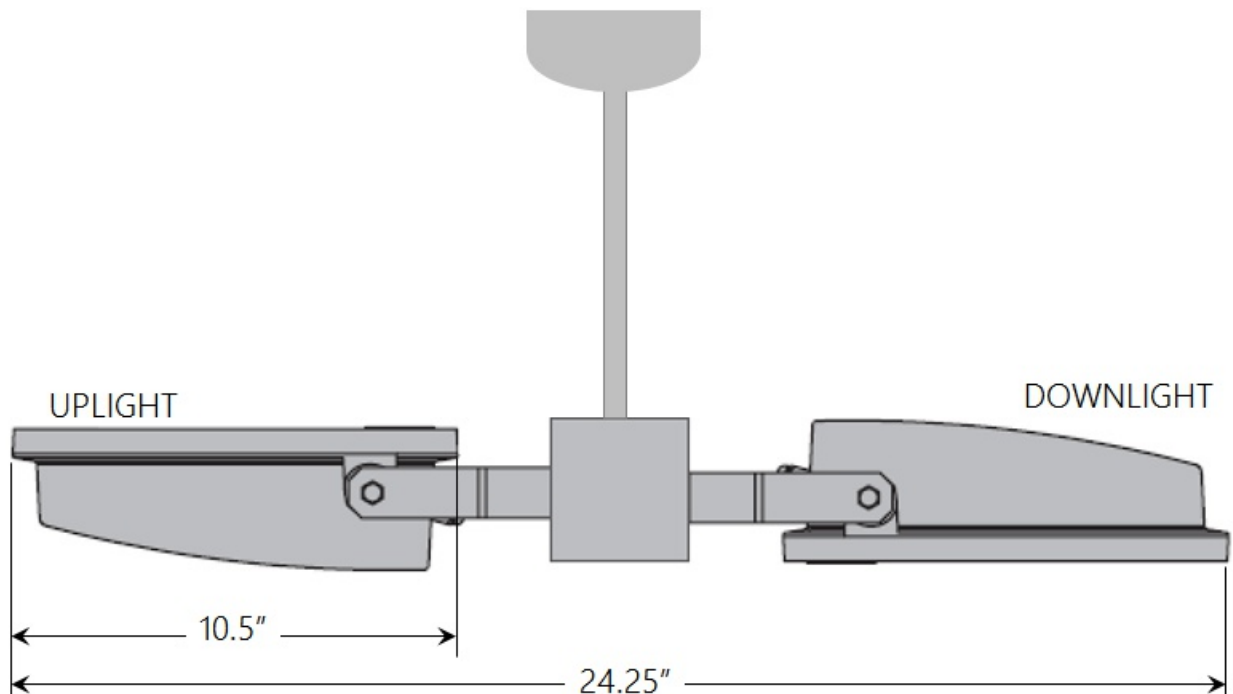
- Each fixture has its own stem/pendant (length to be specified by the customer).
- A Ø5" canopy cover that matches the fixture is provided to cover the jbox.
- *NOTE: Single pendants may not hang perfectly straight due to the offset center of gravity.



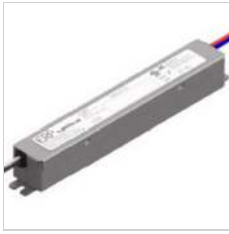
PEN2

GUELL 1 & GUELL 2 – Double fixture pendant

- Each pair of fixtures has a stem/pendant (length to be specified by the customer).
- A Ø5" canopy cover that matches the fixture is provided to cover the jbox.



Power Supply



17433
Kit driver 48V



17096
Kit driver 48V WP

RF Controls



3104173
RGBW RF controller 4 channel
(0.35A each CH)



31041730
RGBW RF controller WP 4 channel
(0.35A each CH)



310429
RGBW hand held remote

DMX Controls



178973
RGBW DMX enabler/decoder 4
channel (0.35A each CH)



1789730
RGBW DMX enabler/decoder WP 4
channel (0.35A each CH)



11015
Terminating Resistor



110150
Terminating Resistor WP