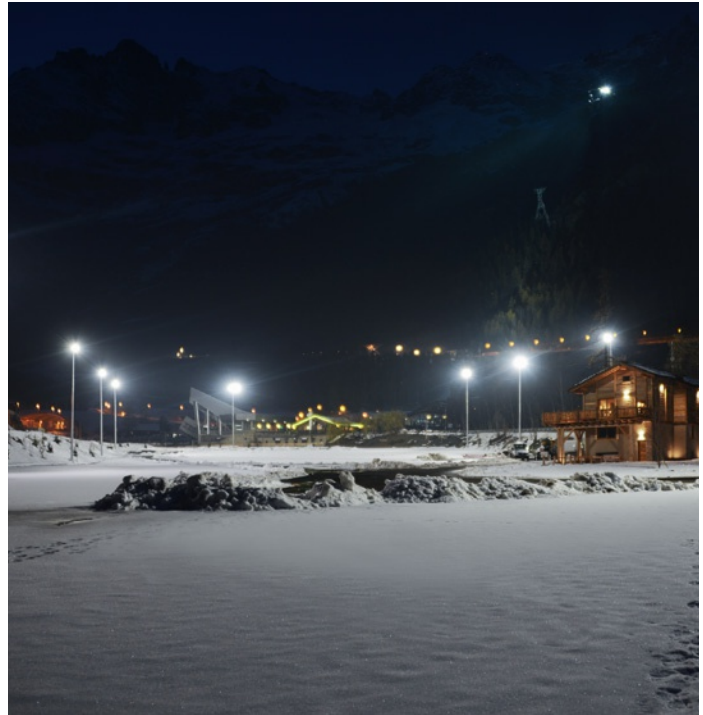


# GUELL 2



Long-lasting energy-efficient architectural, landscape and professional flood light series. Fixtures consist of:

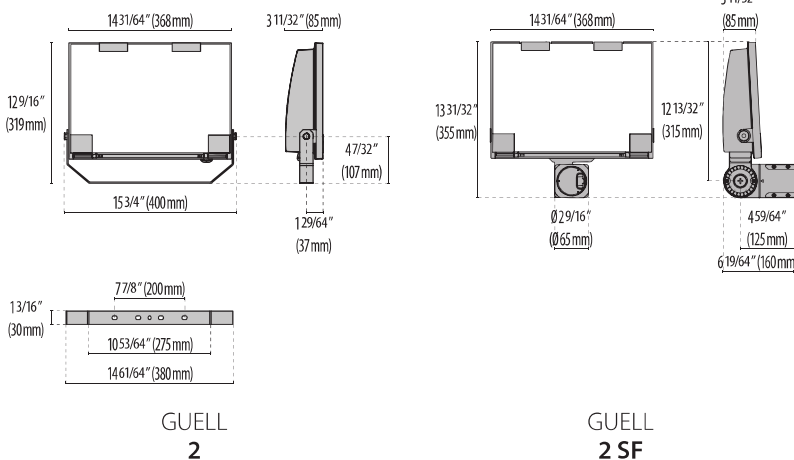
- Copper-free precision die-cast aluminum housing, and adjustable steel mounting bracket.
- Extra-clear, flat, tempered silk-screened soda-lime glass diffuser.
- Custom molded, anti-aging gasket(s).
- Stainless steel external hardware.
- High-efficiency COB, combined with an optimized passive cooling system, provides a long LED life.
- Internal specular reflector coated with 5-layers of PVD 99.98% pure aluminum providing >95% reflection.
- NEMA 5H x 5V light distribution (C/W)
- NEMA 7H x 5V light distribution (S/W).
- NEMA 7H x 5V light distribution (Type II).
- Input voltage: 120-277V (50 / 60 Hz), integral 0-10 V dimming driver.
- Pre-wired factory sealed cable for external electrical connection included. (5.5' Standard)

- Standard quick release latch(es) allow for tool-free access.
- Standard heavy-duty slip-fitter (SF versions) for 2 3/8" OD pipe for a simplified installation.
- Louver, frosted glass, protective grid, wall support 19.69" / 39.37", single or double pole top support, and matching junction box plate accessories available (ordered separately).
- Consult factory for dimming options, custom finishes (please specify RAL color), and non-cataloged CCT (Kelvin) options.
- Consult factory for custom pre-wired factory sealed cable length options.
- 5-year warranty.
- Marine Grade finish.
- Suitable for Natatorium applications.
- Consult factory for any Buy American Act (BAA) or Build America Buy America Act (BABAA) requirements.



## FINISHES

- GR-94 / Aluminum metallic / Textured
- RB-10 / Iron rust / Textured
- BK-81 / Black / Textured
- AN-96 / Iron gray / Textured
- WH-87 / White / Textured



Lumen Output	3K	4K
Guell 2 C/IW 90W	8085	8210
Guell 2 C/IW 110W	10392	10517
Guell 2 S/W 90W	8812	8937
Guell 2 S/W 110W	11012	11137
Guell 2 T2 90W	8595	8720
Guell 2 T2 110W	10719	10844

Scan here  
for installation  
instructions



# Order Guide - Guell Two



Order code example **GU2**

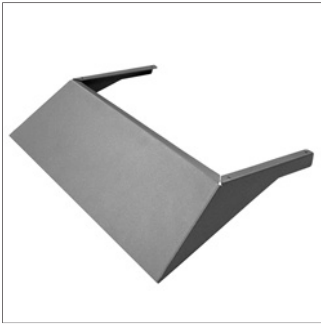
**GU2**

Housing Style	Wattage	Optics	Finish	Kelvin	Voltage	Controls	Accessories
<b>YO</b> Yoke	<b>90</b> 90 watt	<b>C/IW</b> nema 5Hx5V	<b>AM</b> Aluminum Metallic	<b>2K</b> 2000k	<b>UNV</b> 120-277V	<b>NA</b> Non Dimming	<b>COV</b> Cover Asymmetrical
<b>SF</b> Slipfitter	<b>110</b> 110 watt (max)  <b>XX</b> Specify Wattage Must be below max	<b>S/W</b> nema 7Hx5V  <b>A/W</b> nema 6Hx5V	<b>IG</b> Iron Gray  <b>IR</b> Iron Rust  <b>BK</b> Textured Black  <b>WH</b> Textured White  <b>CC</b> Custom Color	<b>27K</b> 2700k  <b>3K</b> 3000k  <b>35K</b> 3500k  <b>4K</b> 4000k  <b>5K</b> 5000k  <b>65K</b> 6500k  <b>RED</b> Static Red  <b>GRN</b> Static Green  <b>BLU</b> Static Blue  <b>RGBW</b> RGBW Contact factory for control details			

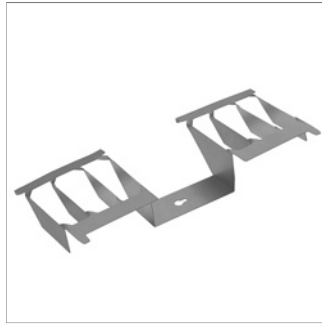
80 CRI STANDARD - OTHER OPTIONS AVAILABLE

# OPTIONAL ACCESSORIES

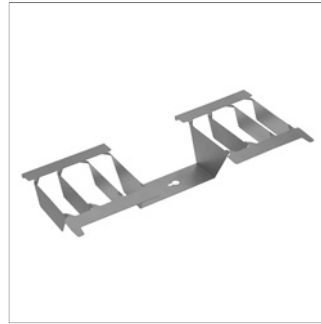
DESCRIPTION	FINISH	PART NUMBER
<b>GUELL 2/A</b>		
Cover GUELL 2 Asymmetrical	●	<b>14173694</b>
Louvre GUELL 2 Asymmetrical		<b>14173820</b>
<b>GUELL 2/S</b>		
Louvre GUELL 2 Symmetrical		<b>14173720</b>
<b>GUELL 2</b>		
Soft glass GUELL 2	●	<b>14173994</b>
Wall support 500 mm/19.69" GUELL 1/2	●	<b>14173394</b>
Wall support 1000 mm/39.37" GUELL 1/2	●	<b>14173494</b>
Protective grid GUELL 2		<b>14173502</b>
Single pole top support GUELL 2	●	<b>14174094</b>
Double pole top support GUELL 2	●	<b>14174194</b>
Plate Cover JBox	●	<b>07957</b>



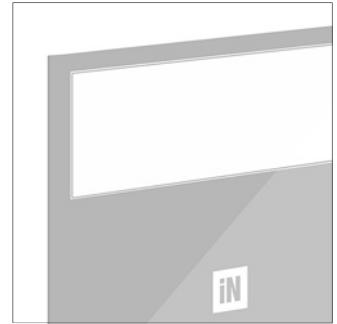
**14173694**



**14173820**



**14173720**



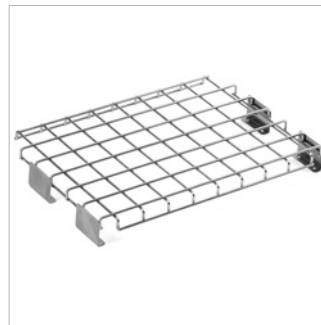
**14173994**



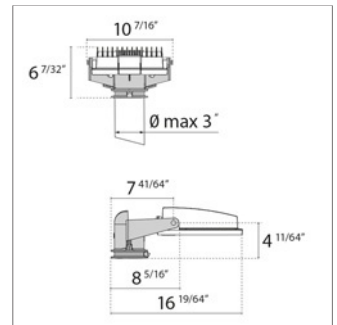
**14173394**



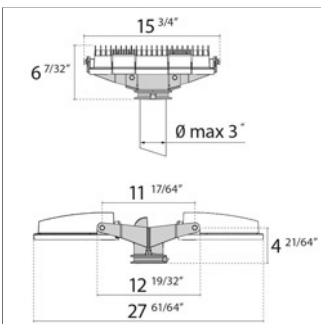
**14173494**



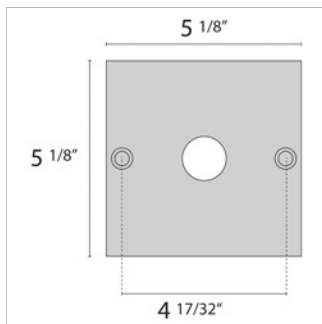
**14173502**



**14174094**



**14174194**

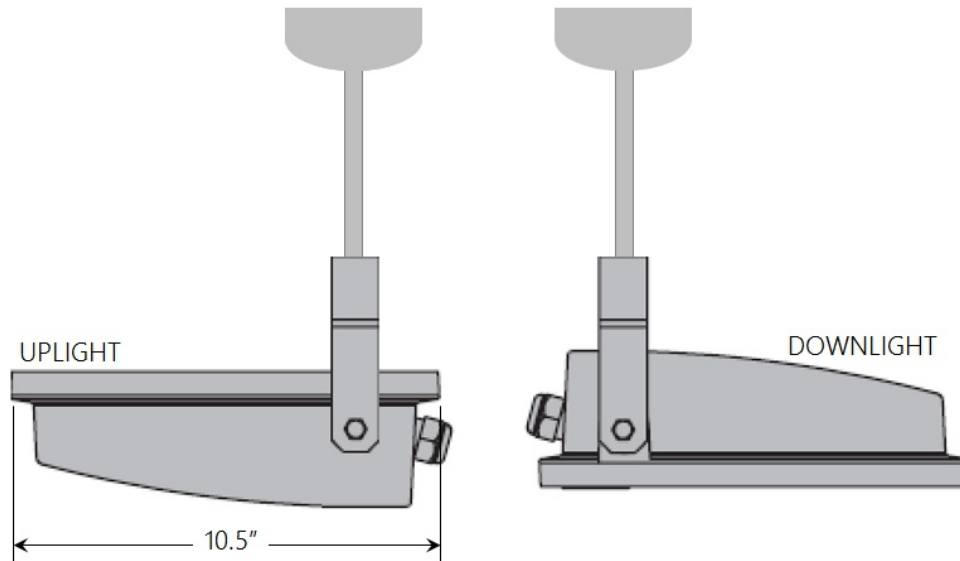


**07957**

# GUPELL PENDANTS\*

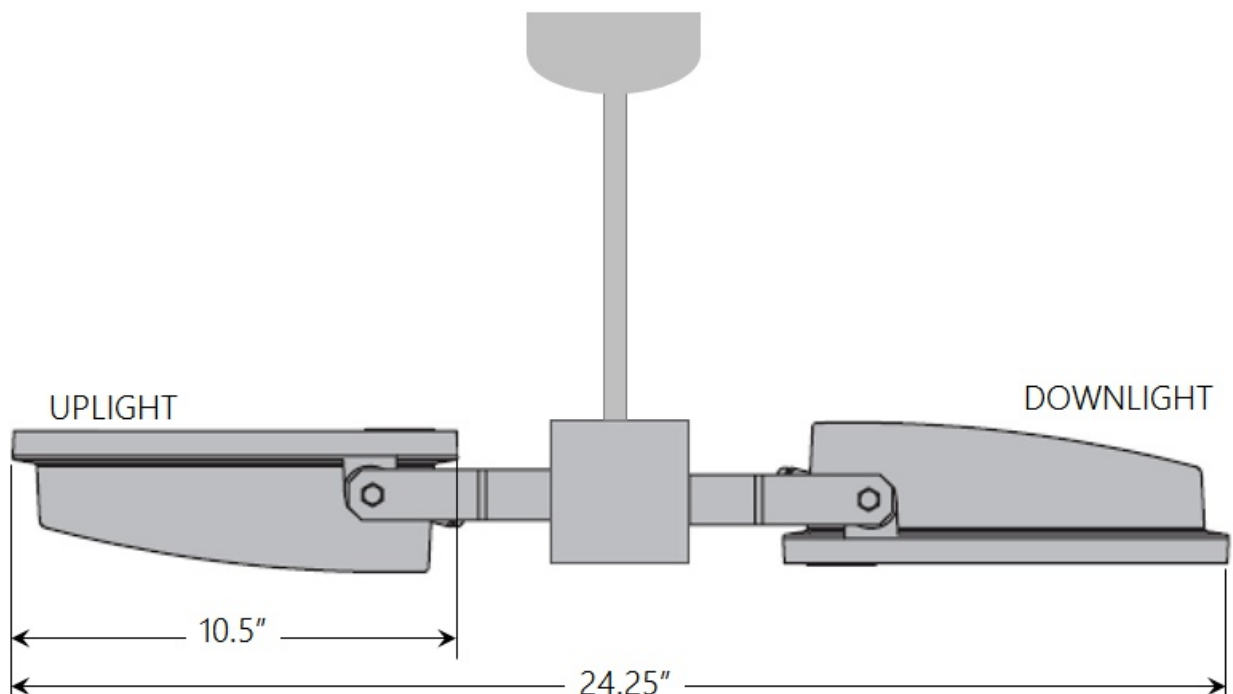
## GUPELL 1 & GUPELL 2 – Single fixture pendant\*

- Each fixture has its own stem/pendant (length to be specified by the customer).
- A Ø5" canopy cover that matches the fixture is provided to cover the jbox.
- \*NOTE: Single pendants may not hang perfectly straight due to the offset center of gravity.

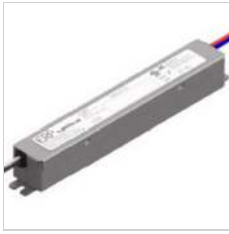


## GUPELL 1 & GUPELL 2 – Double fixture pendant

- Each pair of fixtures has a stem/pendant (length to be specified by the customer).
- A Ø5" canopy cover that matches the fixture is provided to cover the jbox.



## Power Supply



**17433**  
Kit driver 48V



**17096**  
Kit driver 48V WP

## RF Controls



**310417-7**  
RGBW RF controller 4 channel  
(0.70A each CH)



**310417-7-WP**  
RGBW RF controller WP 4 channel  
(0.70A each CH)



**310429**  
RGBW hand held remote

## DMX Controls



**17897-7**  
RGBW DMX enabler/decoder 4  
channel (0.70A each CH)



**17897-7-WP**  
RGBW DMX enabler/decoder WP 4  
channel (0.70A each CH)



**11015**  
Terminating Resistor



**110150**  
Terminating Resistor WP