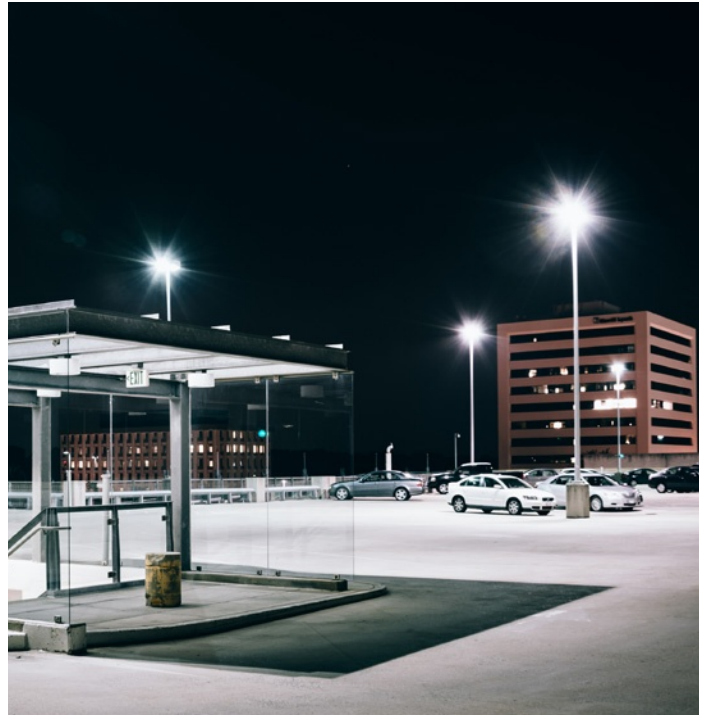


GUELL 3



Long-lasting energy-efficient architectural, landscape and professional flood light series. Fixtures consist of:

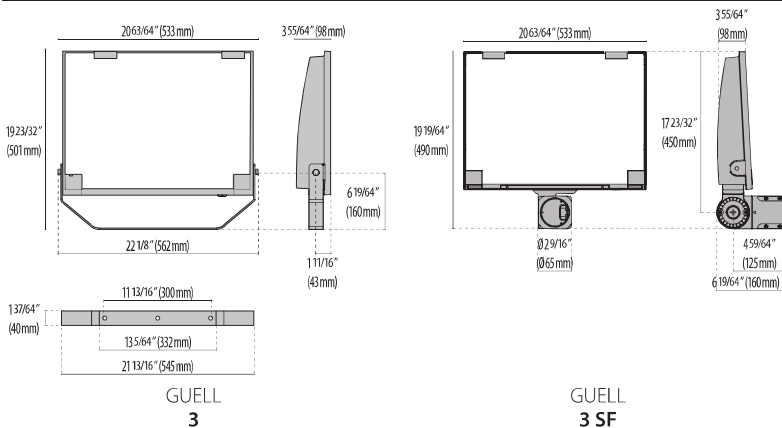
- Copper-free precision die-cast aluminum housing, and adjustable steel mounting bracket.
- Extra-clear, flat, tempered silk-screened soda-lime glass diffuser.
- Custom molded, anti-aging gasket(s).
- Stainless steel external hardware.
- High-efficiency COB, combined with an optimized passive cooling system, provides a long LED life.
- Internal specular reflector coated with 5-layers of PVD 99.98% pure aluminum providing >95% reflection.
- NEMA 6H x 5V light distribution (Type II).
- NEMA 7H x 6V light distribution (S/W).
- NEMA 7H x 5V light distribution (A50/W).
- Input voltage: 120-277V (50 / 60 Hz), integral 0-10 V dimming driver.
- Pre-wired factory sealed cable for external electrical connection included.

- Standard quick release latch(es) allow for tool-free access.
- Standard heavy-duty slip-fitter (SF versions) for 2 3/8" OD pipe for a simplified installation.
- Louver, frosted glass, protective grid, wall support 19.69" / 39.37", single or double pole top support, and matching junction box plate accessories available (ordered separately).
- Consult factory for dimming options, custom finishes (please specify RAL color), and non-cataloged CCT (Kelvin) options.
- Consult factory for custom pre-wired factory sealed cable length options.
- Product meets Buy American Act requirements within ARRA.
- 5-year warranty.
- Marine Grade finish.
- Suitable for Natatorium applications.



FINISHES

- GR-94 / Aluminum metallic / Textured
- RB-10 / Iron rust / Textured
- BK-81 / Black / Textured
- AN-96 / Iron gray / Textured
- WH-87 / White / Textured



Lumen Output	3K	4K
Guell 3 A50/W 230W	27376	27496
Guell 3 A50/W 305W	35694	35814
Guell 3 S/W 165W	17525	17645
Guell 3 S/W 240W	25176	25296
Guell 3 S/W 320W	33702	33822
Guell 3 T2 165W	16466	16586
Guell 3 T2 240W	23658	23778
Guell 3 T2 320W	31673	31793

Order Guide - Guell Three



Order code example

Housing Style	Wattage	Optics	Finish	Kelvin	Voltage	Controls	Accessories
YO Yoke	165 165 watt	S/W nema 7Hx6V	AM Aluminum Metallic	2K 2000k	120 120 volts	NA Non Dimming	PEN1 Single Fixture Pendant
				27K 2700k			
SF Slipfitter	240 240 watt	A/W nema 6Hx5V	IG Iron Gray	3K 3000k	277 277 volts	0-10V 0-10V Dimming	PEN2 Double Fixture Pendant
				3K 3000k			
				35K 3500k			
				4K 4000k			
				5K 5000k			
				65K 6500k			
				RED Static Red			
				GRN Static Green			
BLU Static Blue							
	320 320 watt (max)	A50/W 7Hx5V	IR Iron Rust			ELV ELV Dimming	Jbox Plate Jbox cover
	XX Specify Wattage Must be below max		BK Textured Black				OCC Occupancy Sensor (on/off)
			WH Textured White				OCC2 Occupancy Sesnor (Hi/Lo)
			CC Custom Color				PHC Photocell
							FRST Frosted Glass
							GS Glare Shield
							GRID Protective Glass Grid Cover
							LVR1 Anti-Glare Louver (symmetrical)
							LVR2 Anti-Glare Louver (asymmetrical)

OPTIONAL ACCESSORIES

DESCRIPTION

GUELL 3/A

Louvre GUELL 3 Asymmetrical A40/W

GUELL 3/S

Louvre GUELL 3 Symmetrical

GUELL 3

Cover A/40W

Frosted glass GUELL 3

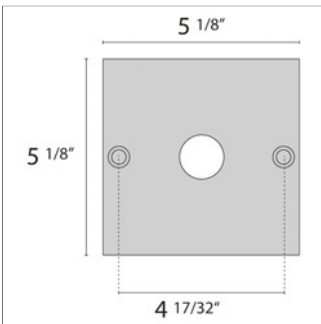
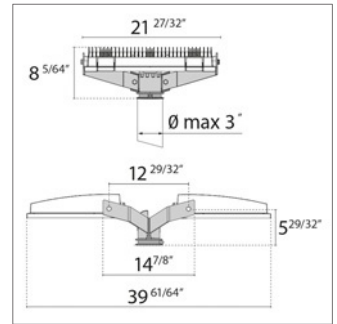
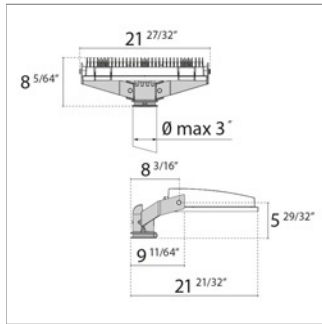
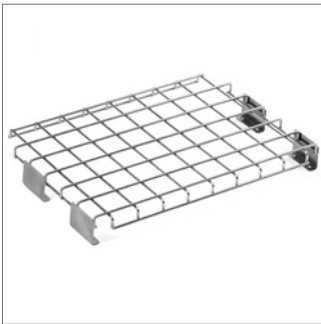
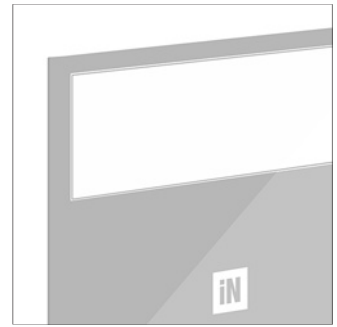
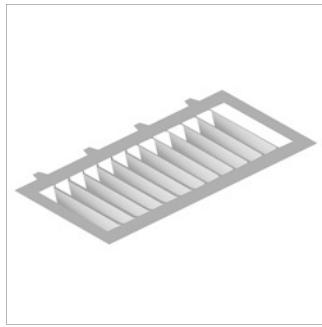
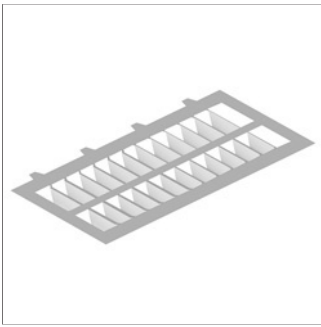
Protective grid

Single pole top support GUELL 3 for poles \varnothing 60-76 mm/ \varnothing 2.36"-2.99"

Wall mount support 1000 mm/39,37"

Double pole top support GUELL 3 for poles \varnothing 60-76 mm/ \varnothing 2.36"-2.99"

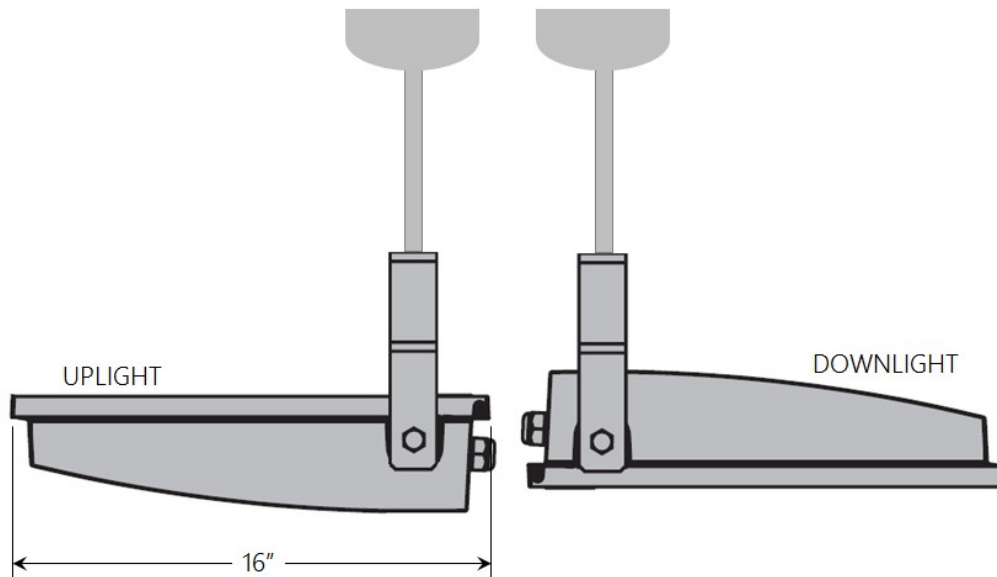
Plate Cover JBox



GUELL PENDANTS*

GUELL 3 – Single fixture pendant*

- Each fixture has its own stem/pendant (length to be specified by the customer).
- A $\varnothing 5''$ canopy cover that matches the fixture is provided to cover the jbox.
- *NOTE: Single pendants may not hang perfectly straight due to the offset center of gravity.



GUELL 3 – Double fixture pendant

- Each pair of fixtures has a stem/pendant (length to be specified by the customer)
- Because of the weight, this set up cannot be mounted to a jbox. Instead, it is provided with a high-bay hook and a separate jbox cover.

