

# MAGICCLICK MAXI



Ceiling and wall mount series. Fixtures consist of:

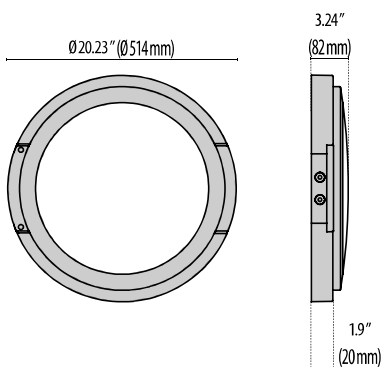
- Multi-step powder-coat painting process, optimized against UV rays and corrosion.
- Copper-free precision die-cast aluminum housing and ring/faceplate.
- High transmittance, internally coated, soda-lime pressed glass diffuser, thermally and chemically quenched to strengthen the impact resistance and reduce the effect of rapid temperature changes.
- The ring/faceplate is integral with the diffuser.
- Custom molded, anti-aging gasket(s).
- Stainless steel external hardware.
- Custom MCPCB utilized to maximize heat dissipation and promote a long LED life.
- Tilttable LED board mounting bracket allows for quick and easy installation.
- 100% uniform diffused light emission.
- 5-year warranty on components.
- 10-year warranty on glass.

- Input voltage: 120-277 V (50 / 60 Hz), integral 0-10 V dimming driver.
- Optional, integral, emergency battery-pack designed for a minimum operation of 90 minutes (EMPK versions).
- Standard hinge-style housing allows for a simplified installation.
- Consult factory for dimming options, custom finishes (please specify RAL color), and non-cataloged CCT (Kelvin) options.
- Polycarbonate lens option available. Consult factory for more information.
- Marine Grade finish.
- Suitable for Natatorium applications.
- Consult factory for any Buy American Act (BAA) or Build America Buy America Act (BABAA) requirements.



## FINISHES

- AN-96 / Iron gray / Textured
- GR-94 / Aluminum metallic / Textured
- WH-87 / White / Textured
- BK-81 / Black / Textured
- RB-10 / Iron rust / Textured



MAGICCLICK  
MAXI

Scan Here for  
Installation Instructions



Lumen Output	27K	3K	35K	4K	5K
<b>Magiclick Maxi 40W</b>	<b>1429</b>	<b>1474</b>	<b>1519</b>	<b>1564</b>	<b>1609</b>
<b>Magiclick Maxi 63W</b>	<b>2602</b>	<b>2684</b>	<b>2766</b>	<b>2848</b>	<b>2930</b>
<b>Magiclick Maxi EMPK</b>	<b>1429</b>	<b>1474</b>	<b>1519</b>	<b>1564</b>	<b>1609</b>

# Order Guide - Magiclick Maxi



Order code example

**MCM-63-AM-3K-120-NA-PC**

**MCM-**

Wattage	Finish	Kelvin	Voltage	Controls	Options
<b>40</b> 40 watt	<b>AM</b> Aluminum Metallic	<b>3K</b> 3000k	<b>UNV</b> 120-277V	<b>NA</b> Non Dimming	<b>PC</b> Polycarb Lens
<b>63</b> 63 watt (max)	<b>IG</b> Iron Gray	<b>35K</b> 3500k		<b>0-10V</b> 0-10V Dimming Driver	<b>EMPK</b> 40W Emergency Battery back-up
<b>XX</b> Specify wattage must be below max	<b>IR</b> Iron Rust  <b>BK</b> Textured Black  <b>WH</b> Textured White  <b>CC</b> Custom Color	<b>4K</b> 4000k		<b>ELV</b> 120V Line- Voltage Dimming Driver	<b>TP</b> Tamper Proof bolts  <b>REM</b> 63W Remote mounted emergency battery back-up  <b>SC</b> Side conduit entry 1/2" or 1/4" *FIELD MOD* To be done in Field  <b>BABAA</b> Build America Buy America Act compliant (not available for all options)

80 CRI STANDARD - OTHER OPTIONS AVAILABLE