

SPILLO MINI



Pathway bollard series. Fixtures consist of:

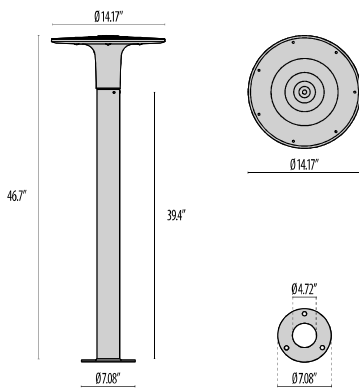
- Multi-step powder-coat painting process, optimized against UV rays and corrosion.
- Copper-free precision die-cast aluminum housing and top cap.
- Copper-free aluminum extruded post.
- Custom molded, anti-aging gasket(s).
- Stainless steel external hardware.
- Custom MCPCB utilized to maximize heat dissipation and promote a long LED life.
- High-transmittance transparent optics.
- The "Secure Light Distribution" system can bypass individual diodes in the event of a single LED failure to ensure continuous uniform light distribution.
- IESNA Type V light distribution.

- Input voltage: 120-277 V (50 / 60 Hz), integral 0-10 V dimming driver.
- Pre-wired factory sealed cable for external electrical connection included.
- Consult factory for dimming options, custom finishes (please specify RAL color), and non-cataloged CCT (Kelvin) options.
- Consult factory for custom pre-wired factory sealed cable length options.
- Consult factory for custom post height options.
- Anchor bolts available for bollards (ordered separately).
- Product meets Buy American Act requirements within ARRA.
- 5-year warranty.
- Marine Grade finish.
- Suitable for Natatorium applications.



FINISHES

- AN-96 / Iron gray / Textured
- BK-81 / Black / Textured
- GR-94 / Aluminum metallic / Textured
- WH-87 / White / Textured
- RB-10 / Iron rust / Textured



SPILLO
MINI

Lumen Output	27K	3K	4K
Spillo Mini	1326	1378	1482

Order Guide - Spillo Mini



Order code example

SPMINI-47-22-AM-3K-120-NA

SPMINI-

Bollard Height	Wattage	Finish	Kelvin	Voltage	Controls	Accessories
47 47 inch (standard)	11 11 watt	AM Aluminum Metallic	27K 2700k	120 120 volts	NA Non Dimming	GFCI 20 amp outlet
36 36 inch (min)	22 22 watt (max)	IG Iron Gray	3K 3000k	277 277 volts	0-10V 0-10V Dimming	
80 80 inch (max)	XX Specify wattage must be below max	IR Iron Rust	35K 3500K		ELV ELV Dimming	
XX Specify height must be within range		BK Textured Black	4K 4000k			
		WH Textured White				
		CC Custom Color				