

FOCUS+ ZERO



Economical low-profile landscape flood light series.

Fixtures consist of:

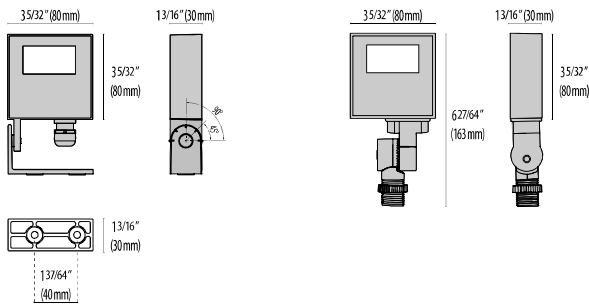
- Multi-step powder-coat painting process, optimized against UV rays and corrosion.
- Copper-free precision die-cast aluminum housing, ring/faceplate, and adjustable mounting bracket.
- Extra-clear, flat, tempered silk-screened soda-lime glass diffuser.
- Custom molded, anti-aging gasket(s).
- Custom MCPCB utilized to maximize heat dissipation and promote a long LED life.
- NEMA 7H x 6V light distribution (S/EW).
- Input voltage: 120 V, integral D.O.B. module with surge protection up to 500 V.

- Pre-wired factory sealed cable for external electrical connection included.
- Standard robust 1/2" NPS knuckle mount with 180° adjustable swivel arm (SA versions) and rugged, locking teeth for a simplified installation.
- Technopolymer ground spike accessory available for FOCUS+ ZERO (ordered separately).
- Matching junction box plate optional accessory available (ordered separately).
- Custom finishes (please specify RAL color).
- 5-year warranty.
- Marine Grade finish.
- Suitable for Natatorium applications.



FINISHES

- AN-96 / Iron gray / Textured
- GR-94 / Aluminum metallic / Textured
- RB-10 / Iron rust / Textured
- WH-87 / White / Textured
- BK-81 / Black / Textured



FOCUS+
ZERO YO

FOCUS+
ZERO SA

Lumen Output	3K	35K	4K
Focus+Zero	630	671	712

Order Guide - Focus+ Zero



Order code example

FZ-YO-10W-AM-3K-120-24"

F+Z-						
Housing Style	Wattage	Finish	Kelvin	Voltage	Options	Accessories
YO Yoke SA Swivel	10W 10 Watt (max) XX Specify Wattage must be below max	AM Aluminum Metallic IG Iron Gray IR Iron Rust BK Textured Black WH Textured White	27K 2700k 3K 3000k 4K 4000k	120 120 volts	XX" Whip Cable Extention (36" Standard)	JBOX 1 Rectangular Jbox Cover JBOX 2 Round Jbox Cover GS Ground Spike (Yoke Style Only)