

# AMON WALL



Long-lasting energy-efficient wall pack series. Fixtures consist of:

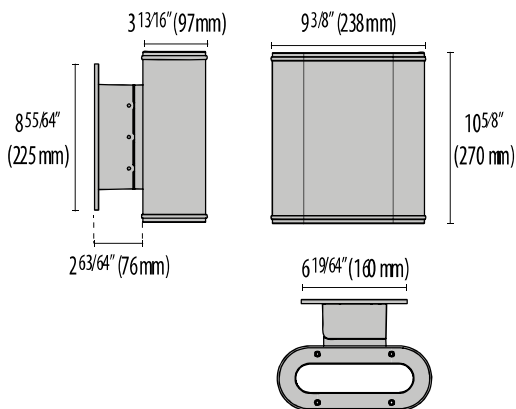
- Multi-step powder-coat painting process, optimized against UV rays and corrosion.
- Copper-free extruded aluminum housing and copper-free precision die-cast aluminum ring/faceplate, bracket (WALL versions) and mounting plate.
- Extra-clear, flat, tempered silk-screened soda-lime glass diffuser.
- Custom molded, anti-aging gasket(s).
- Stainless steel external hardware.
- Custom MCPCB utilized to maximize heat dissipation and promote a long LED life.
- High-transmittance transparent optics.
- Single (M) or dual (B) light emission.
- IESNA Type II light distribution.
- IESNA Type I light distribution.
- 26° x 70° beam angle (NB).

- Input voltage: 120-277 V (50 / 60 Hz), integral 0-10 V dimming driver.
- Integral, emergency battery-pack designed for a minimum operation of 90 minutes (EMPK versions).
- Standard hinged bracket for ease of installation: wiring can be completed by mounting the bracket ahead of the luminaire, then sliding luminaire onto the bracket using quick connectors system, then securing the luminaire by tightening the stainless steel set screws (WALL versions only).
- Consult factory for dimming options, custom finishes, and non-cataloged CCT (Kelvin) options.
- Product meets Buy American Act requirements within ARRA.
- 5-year warranty.
- Marine Grade finish.
- Suitable for Natatorium applications.



## FINISHES

- AN-96 / Iron gray / Textured
- BK-81 / Black / Textured
- GR-94 / Aluminum metallic / Textured
- WH-87 / White / Textured
- RB-10 / Iron rust / Textured



AMON  
WALL

LUMEN OUTPUT	2700K	3000K	3500K	4000K
B- T1	3190	3334	3478	3622
B- T1+NB	2026	2170	2358	2358
B- T2	3144	3288	3429	3571
B-T2+NB	2003	2147	2239	2332
M-T1	1595	1667	1739	1811
M-T1 EMPK	1595	1667	1739	1811
M-T2	1572	1644	1715	1786
M-T2 EMPK	1572	1644	1715	1786



# Order Guide - Amon Wall

Order code example

**AMW-B-AM-T1-T2-27K-120-NA**

AMW							
Output	Wattage	Finish	Optics	Kelvin /Static Colors	Voltage	Controls	Options
<b>M</b> (One-Way)	<b>28W</b> 28 Watt (M) Max	<b>AM</b> Aluminum Metallic	Pick One for M & Two for B <b>T1</b> Type I	<b>27K</b> 2700K	<b>120</b> 120 volts	<b>NA</b> Non Dimming	<b>EMPK</b> Intregal Emergency Battery Back Up (M)
<b>B</b> (Two-Way)	<b>56W</b> 56 Watt (B) Max	<b>IG</b> Iron Gray	<b>T2</b> Type II	<b>3K</b> 3000K	<b>277</b> 277 volts	<b>0-10V</b> 0-10V Dimming	<b>PHC</b> Photocell Button
	<b>XX</b> Specify Wattage Must be below max	<b>IR</b> Iron Rust	<b>NB</b> Narrow Beam (26°x70°)	<b>35K</b> 3500K		<b>ELV</b> ELV Dimming	
		<b>BK</b> Textured Black	<b>16°</b> 16° Beam	<b>4K</b> 4000K			
		<b>WH</b> Textured White	<b>30°</b> 30° Beam	<b>BLU</b> Static Blue (445-460nm)			
		<b>CC</b> Custom Color					