

# AMON MAXI



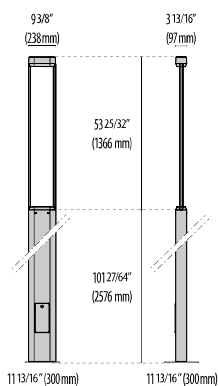
Lighting column series. Fixtures consist of:

- Multi-step powder-coat painting process, optimized against UV rays and corrosion.
- Robust copper-free extruded aluminum column profile and copper-free precision die-cast aluminum housing, ring/faceplate, top cap, and inspection access door.
- Extra-clear, flat, tempered silk-screened soda-lime glass diffuser.
- Satin UV-stabilized, high-impact resistant diffuser (SOFT versions).
- Custom molded, anti-aging gasket(s).
- Stainless steel external hardware.
- Custom MCPCB utilized to maximize heat dissipation and promote a long LED life.
- High-transmittance transparent optics.
- High-efficiency COB, combined with an optimized passive cooling system, provides a long LED life.
- Internal specular reflector coated with 5-layers of PVD 99.98% pure aluminum providing >95% reflection.
- IESNA Type II light distribution.
- IESNA Type I light distribution.
- IESNA Type V light distribution.
- Diffuse light emission (SOFT).
- Input voltage: 120-277 V (50 / 60 Hz), integral 0-10 V dimming driver.
- Integral surge protector can withstand up to 10 kV transient line surge.
- Steel ground base plate included for bollards.
- Consult factory for dimming options, custom finishes (please specify RAL color), and non-cataloged CCT (Kelvin) options.
- Consult factory for custom post height options.
- Base heavy-duty covers, anchor bolts, and direct-burial support available for AMON MINI / MAXI (ordered separately).
- 5-year warranty.
- Product meets Buy American Act requirements within ARRA.
- Marine Grade finish.
- Suitable for Natatorium applications.

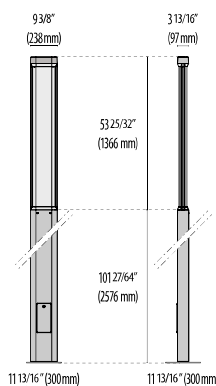


## FINISHES

- AN-96 / Iron gray / Textured
- BK-81 / Black / Textured
- GR-94 / Aluminum metallic / Textured
- WH-87 / White / Textured
- RB-10 / Iron rust / Textured



AMON  
MAXI



AMON  
MAXI SOFT

Lumen Output	27K	3K	35K	4K	6K
Amon Maxi Soft	3834	3937	4040	4144	4247
Amon Maxi T1	1343	1404	1465	1526	1587
Amon Maxi T2	1333	1393	1453	1514	1574
Amon Maxi T5 43W	1781	1881	1981	2081	2181
Amon Maxi T5 90W	3519	3574	3629	3684	3739

# Order Guide - Amon Maxi

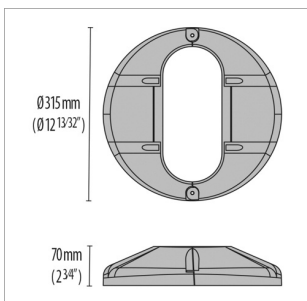


Order code example

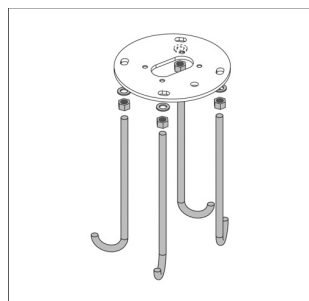
**AMX-47-OPEN5-90-AM-3K-120-NA-BC-ANC**

Column Height	Optics	Wattage	Finish	Kelvin	Voltage	Controls	Accessories
<b>108</b> 108 Inch	<b>OPEN5</b> Type V	<b>28</b> 28 watt	<b>AM</b> Aluminum Metallic	<b>27K</b> 2700k	<b>120</b> 120 volts	<b>NA</b> Non Dimming	<b>BC</b> Base Cover
<b>180</b> 180 Inch (max)	<b>OPEN1</b> Type I	<b>43</b> 43 watt	<b>IG</b> Iron Gray	<b>3K</b> 3000k	<b>277</b> 277 volts	<b>0-10V</b> 0-10V Dimming	<b>ANC</b> Template w/ Anchor bolts
<b>XX</b> Specify Height Must be within range	<b>OPEN2</b> Type II	<b>80</b> 80 watt (soft max)	<b>IR</b> Iron Rust	<b>35K</b> 3500k			
	<b>SOFT</b> Type V Diffuse	<b>90</b> 90 watt (open max)	<b>BK</b> Textured Black	<b>4K</b> 4000k			
		<b>90</b> 90 watt (open max)	<b>WH</b> Textured White	<b>5K</b> 5000k			<b>DB</b> Direct Burial
		<b>XX</b> Specify Wattage Must be below max	<b>CC</b> Custom Color	<b>RED</b> Static Red			<b>HSS</b> House Side Shield
				<b>BLU</b> Static Blue			<b>PHC1</b> 120V Photocell
				<b>GRN</b> Static Green			<b>OCC1</b> on/off Occupancy Sensor
				<b>AMB</b> Amber			<b>OCC2</b> hi/lo Occupancy Sensor

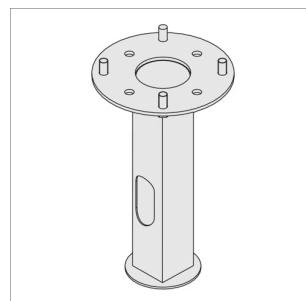
## OPTIONAL ACCESSORIES



Base Cover



Anchor Bolts w/ template



Direct Burial Base