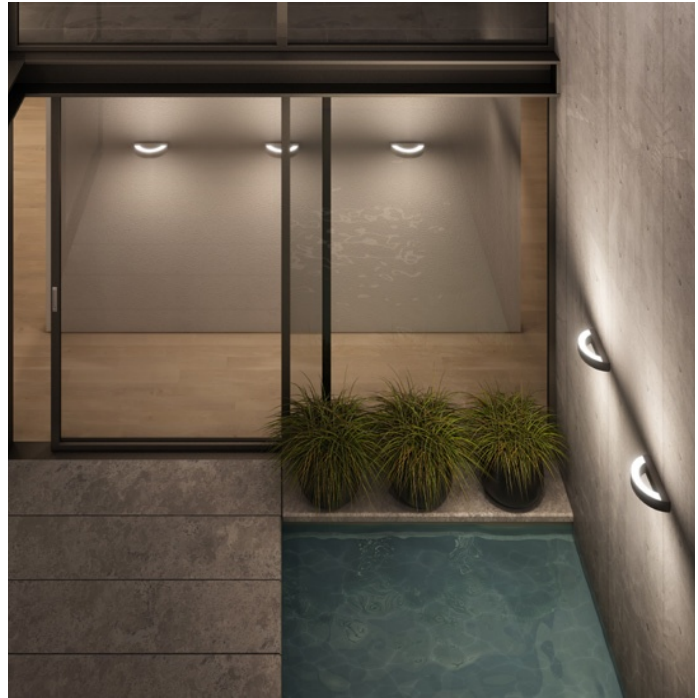
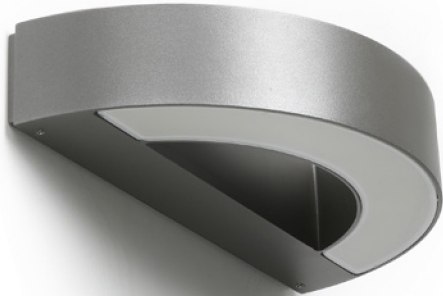


# MASK+



Wall sconce series. Fixtures consist of:

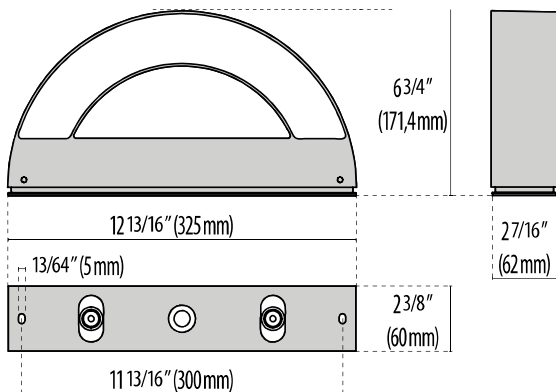
- Multi-step powder-coat painting process, optimized against UV rays and corrosion.
- Copper-free precision die-cast aluminum housing and mounting plate.
- Frosted, flat, tempered silk-screened soda-lime glass diffuser.
- Custom molded, anti-aging gasket(s).
- Stainless steel external hardware.
- Custom MCPCB utilized to maximize heat dissipation and promote a long LED life.
- Single (M) or dual (B) light emission.
- IESNA Type V light distribution.

- Input voltage: 120-277 V (50 / 60 Hz), integral 0-10 V dimming driver.
- Rectangular mounting plate included (for use RACO 8660 or equivalent); 4" tall accessory plate for use with larger junction box applications available (order separately).
- Consult factory for dimming options, custom finishes, and non-cataloged CCT (Kelvin) options.
- Product meets Buy American Act requirements within ARRA.
- 5-year warranty.
- Marine Grade finish.
- Suitable for Natatorium applications.



## Finishes

- AN-96 / Iron gray / Textured
- WH-87 / White / Textured
- BK-81 / Black / Textured
- GR-94 / Aluminum metallic / Textured
- RB-10 / Iron rust / Textured



**MASK+**

LUMEN OUTPUT		3000K	4000K
<b>MASK+M</b>	12.5 Watt	914	971
<b>MASK+B</b>	24 Watt	1770	1879

# Order Guide - Mask+



Order code example

MSK-M-12.5-WH-4K-120-NA-JBOX

MSK-						
Housing Style	Wattage	Finish	Color Temperature	Voltage	Controls	Accessories
<b>M</b> (One-Way)	<b>12.5</b> 12.5 watt (M max)	<b>IG</b> Iron Gray	<b>3K</b> 3000k	<b>120</b> 120 volts	<b>NA</b> Non Dimming	<b>J-BOX</b> 4-inch tall J-Box Cover
<b>B</b> (Two-Way)	<b>24</b> 24 watt (B max)	<b>WH</b> Textured White	<b>4K</b> 4000k	<b>277</b> 277 volts	<b>0-10V</b> 0-10V Dimming	
		<b>*Finishes Below Available MOQ 30 pieces*</b>			<b>ELV</b> ELV Dimming	
		<b>AM</b> Aluminum Metallic				
		<b>IR</b> Iron Rust				
		<b>BK</b> Textured Black				
		<b>CC</b> Custom Color				